

[54] FAUCET HANDLE

[75] Inventors: Frank C. Evans, Rockford; Merritt J. Nelson, Sparta, both of Mich.

[73] Assignee: Zin-Plas Corporation, Grand Rapids, Mich.

[**] Term: 14 Years

[21] Appl. No.: 651,790

[22] Filed: Sep. 17, 1984

[52] U.S. Cl. D23/28

[58] Field of Search D23/23, 25, 26, 28; D8/307, 308, 310, 312; 137/606, 607, 801; 251/155; 4/191, 192

[56] References Cited
PUBLICATIONS

Domestic Engineering, 4/83, p. 2, Delta Faucet Handles.

Domestic Engineering, 5/83, p. 20, Valleycrest Faucet Handles.

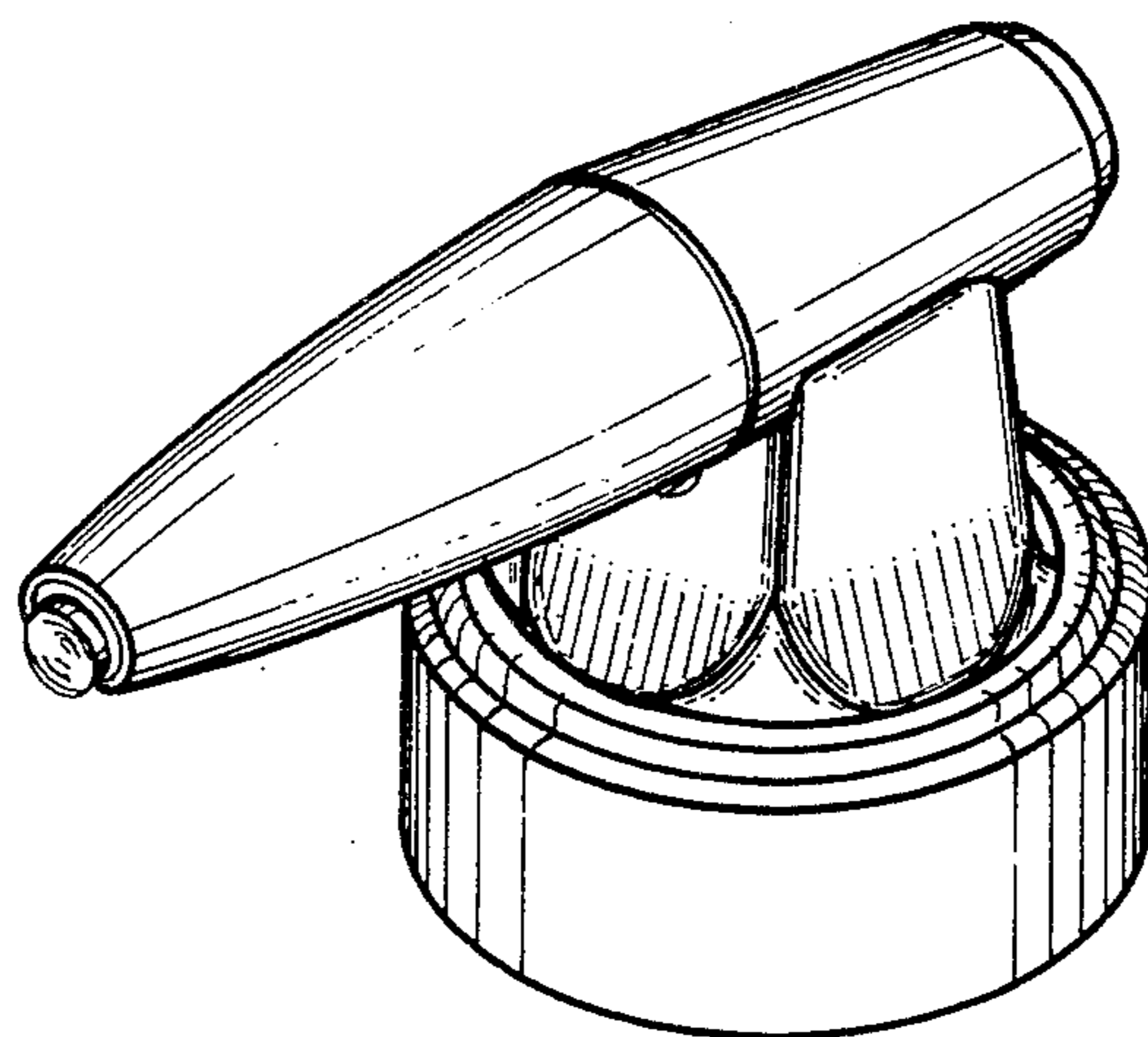
Primary Examiner—James M. Gandy
Attorney, Agent, or Firm—Varnum, Riddering, Schmidt & Howlett

[57] CLAIM

The ornamental design for a faucet handle, as shown and described.

DESCRIPTION

FIG. 1 is a front elevation view of a faucet handle showing our new design;
FIG. 2 is a back elevation view thereof;
FIG. 3 is a right side elevation view thereof, with the left side view being identical thereto;
FIG. 4 is a top plan view thereof; and
FIG. 5 is a perspective view of a faucet handle showing a second embodiment of our new design wherein the sole difference resides in the appearance of the blade portion of the handle.



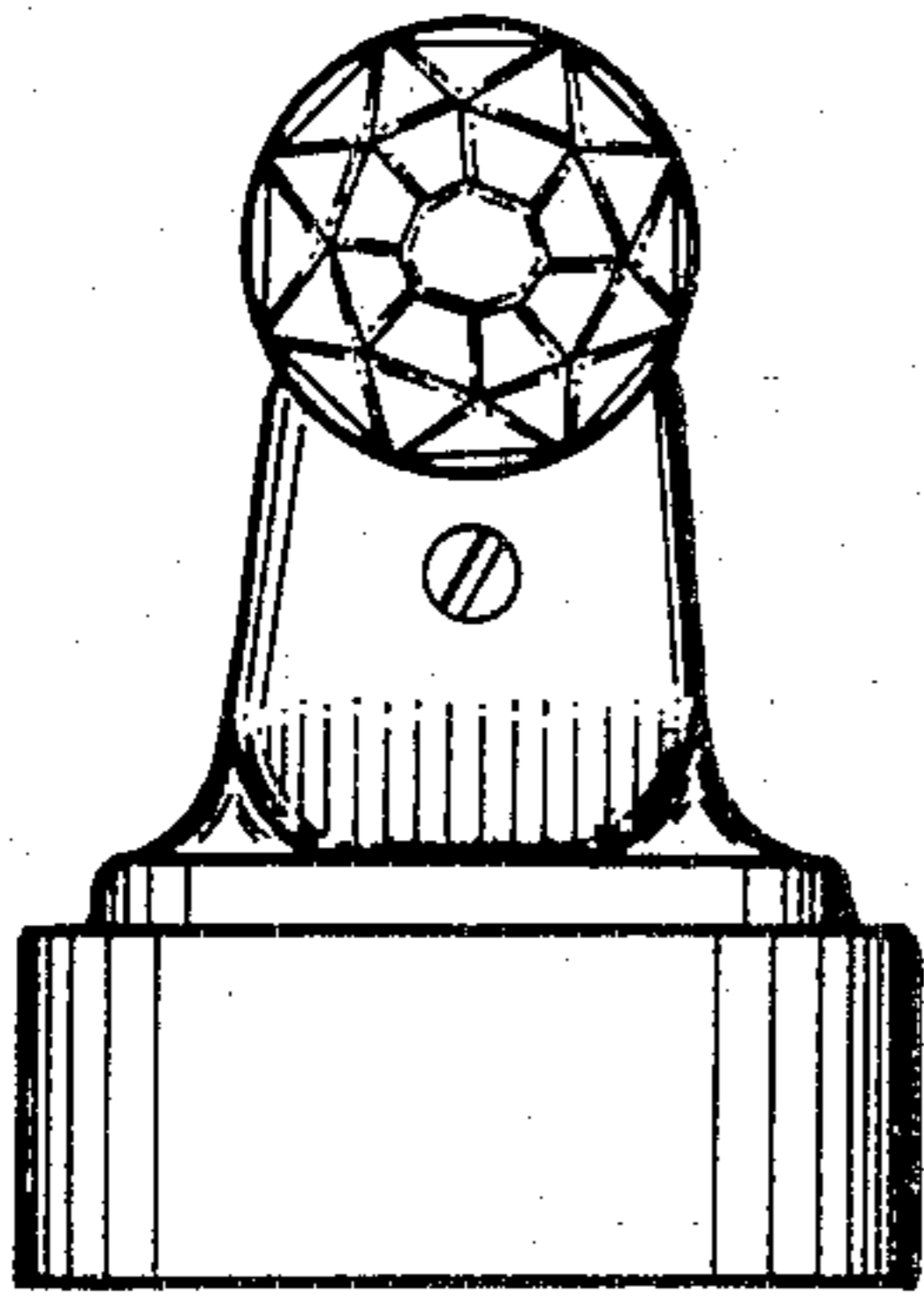


FIG. 1

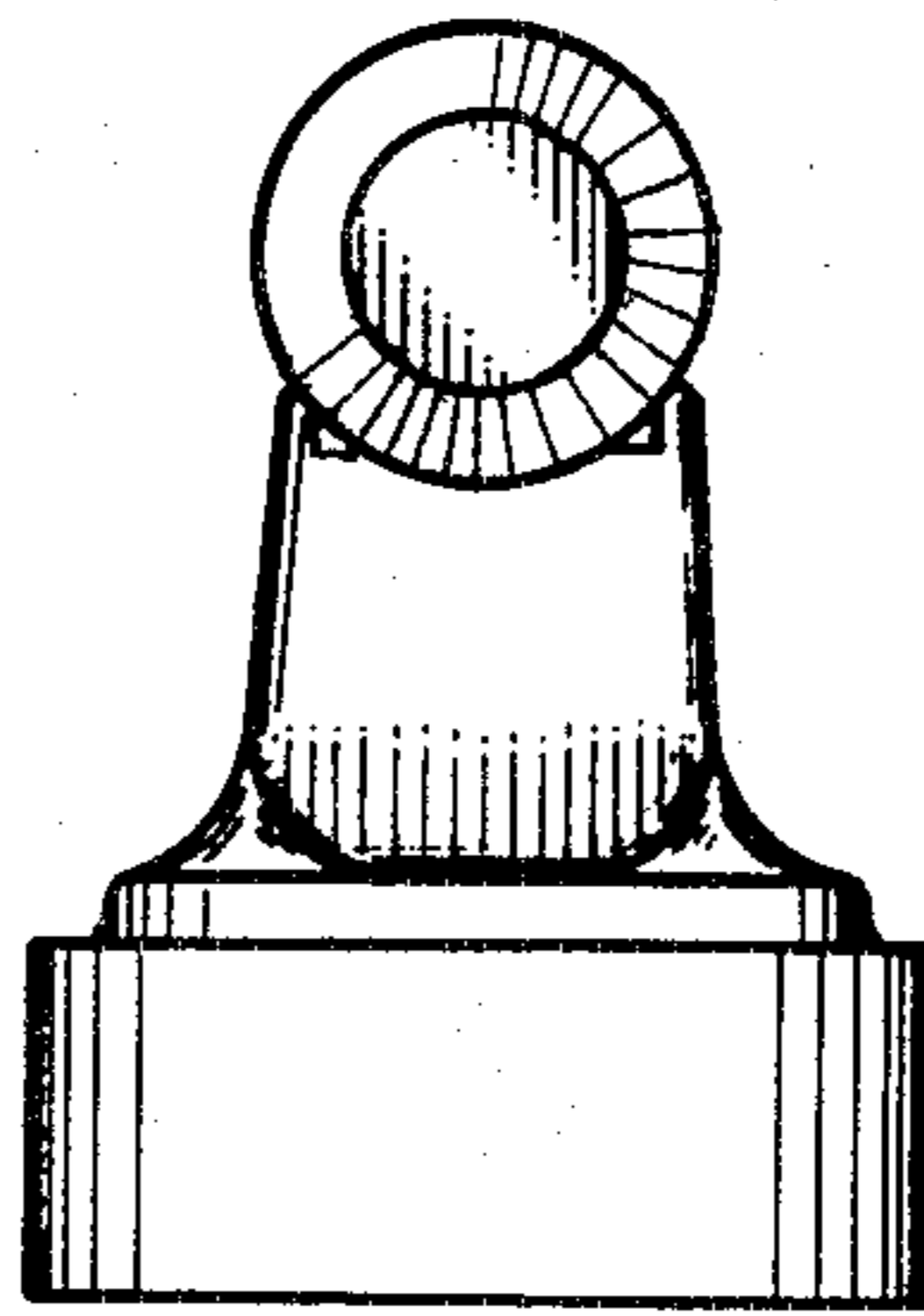


FIG. 2

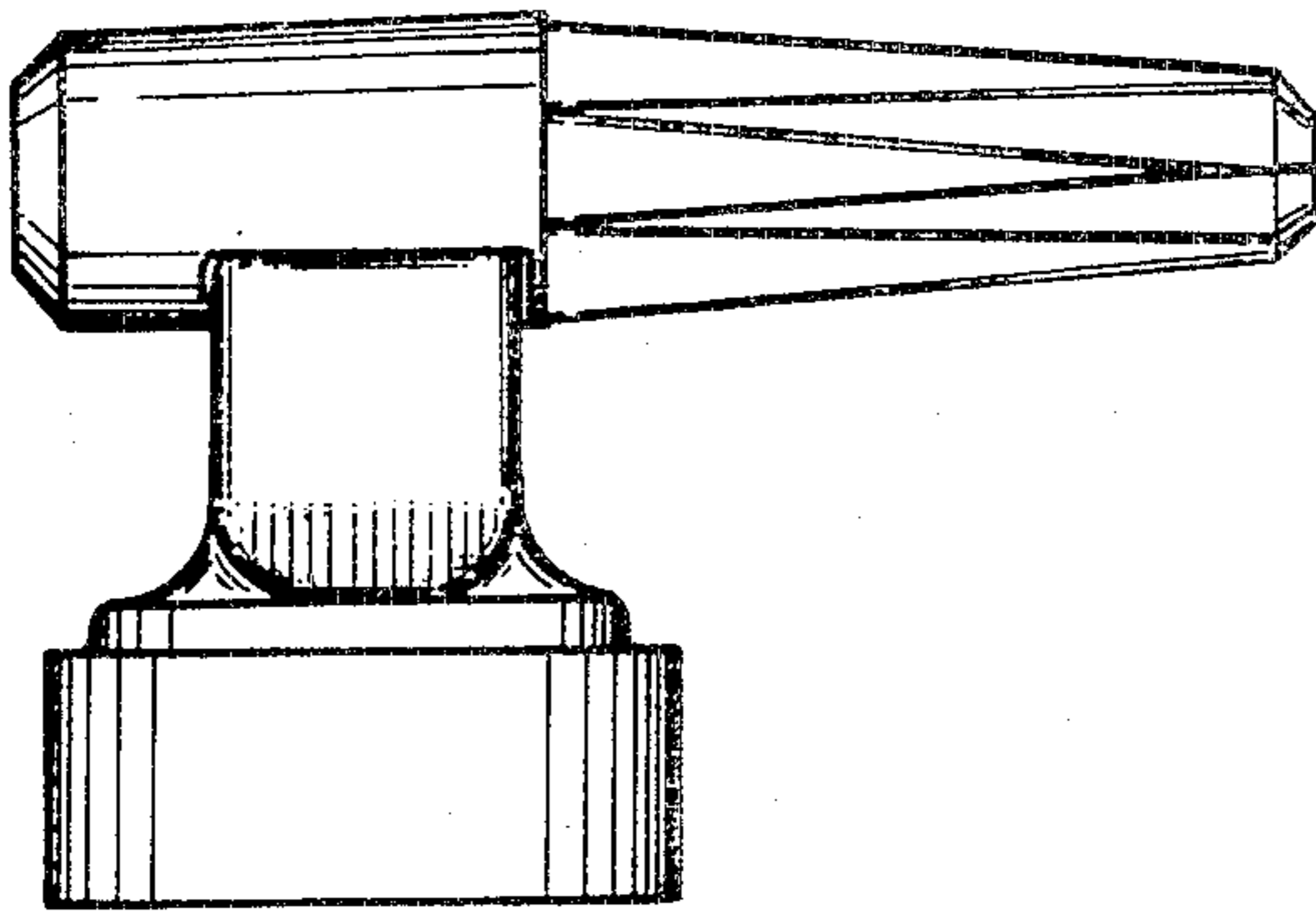


FIG. 3

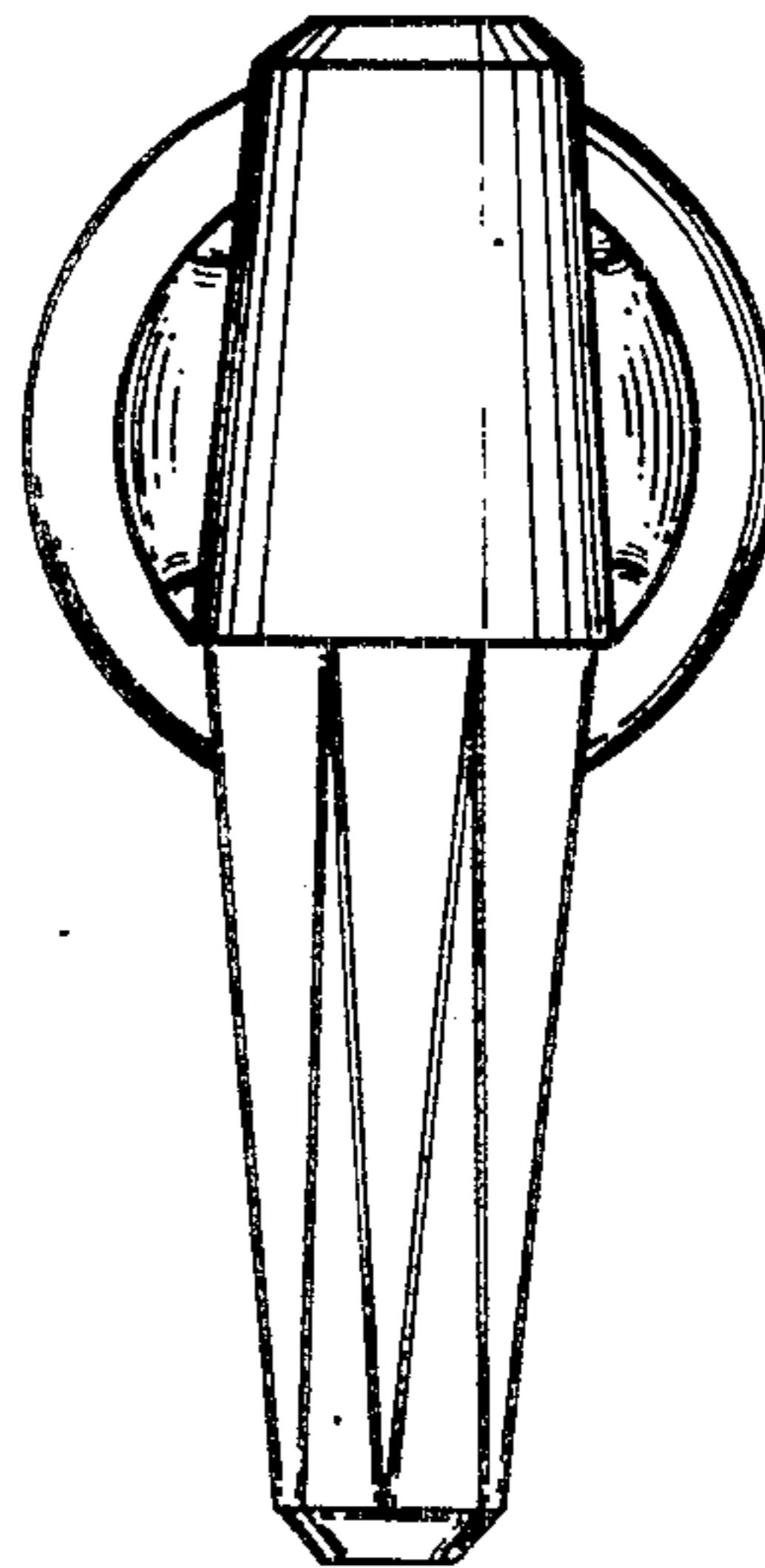


FIG. 4

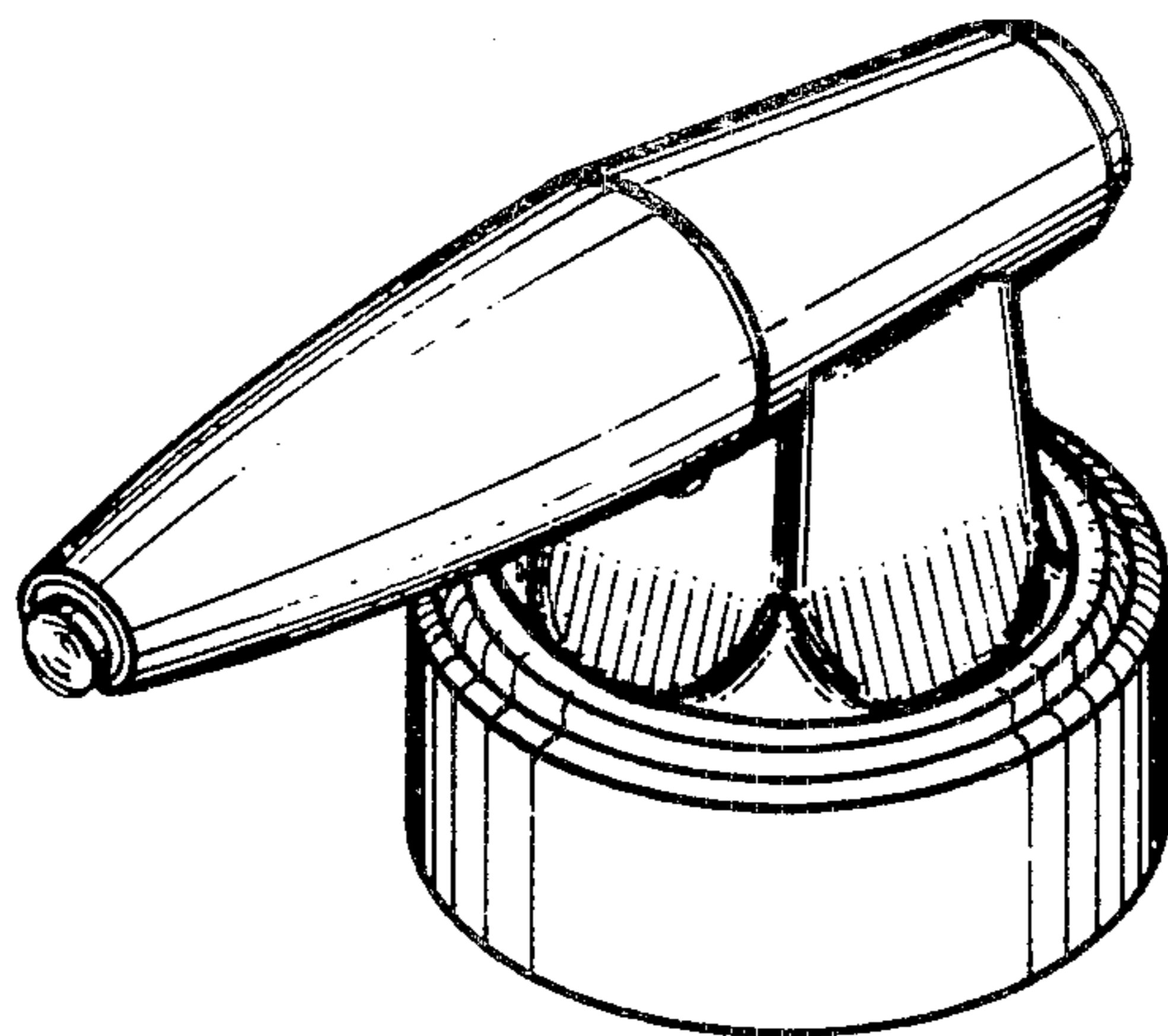


FIG. 5