

[54] EXERCISE CYCLE

[75] Inventors: John A. Kasuba, Germantown; John T. Kanne, Memphis; Sajjan S. Dhaliwal, Germantown, all of Tenn.; Emerson J. Purkapile, Chicago, Ill.

[73] Assignee: Allegheny International Exercise Co., Lincolnton, N.C.

[**] Term: 14 Years

[21] Appl. No.: 696,675

[22] Filed: Jan. 30, 1985

[52] U.S. Cl. D21/194

[58] Field of Search D21/191-199; 272/73, 70.3, 132, DIG. 6; 73/379

[56] References Cited

U.S. PATENT DOCUMENTS

- D. 218,338 8/1970 Dimick et al. D21/194
- D. 225,070 11/1972 Proctor D21/194

- D. 226,670 4/1973 Nickels et al. D21/194
- D. 233,160 10/1974 Jouk D21/194
- D. 279,206 6/1985 Smith et al. D21/194
- 3,751,033 8/1973 Rosenthal 272/73
- 3,940,128 2/1976 Ragone 272/73
- 4,533,136 8/1985 Smith et al. 272/73

Primary Examiner—Charles A. Rademaker
Attorney, Agent, or Firm—John L. LaPierre; John K. Williamson

[57] CLAIM

The ornamental design for an exercise cycle, as shown and described.

DESCRIPTION

FIG. 1 is a right side elevational view of an exercise cycle illustrating our new design, the side opposite being substantially a mirror image;
FIG. 2 is a top plan view thereof;
FIG. 3 is a bottom plan view thereof;
FIG. 4 is a rear elevational view thereof; and
FIG. 5 is a front elevational view thereof.

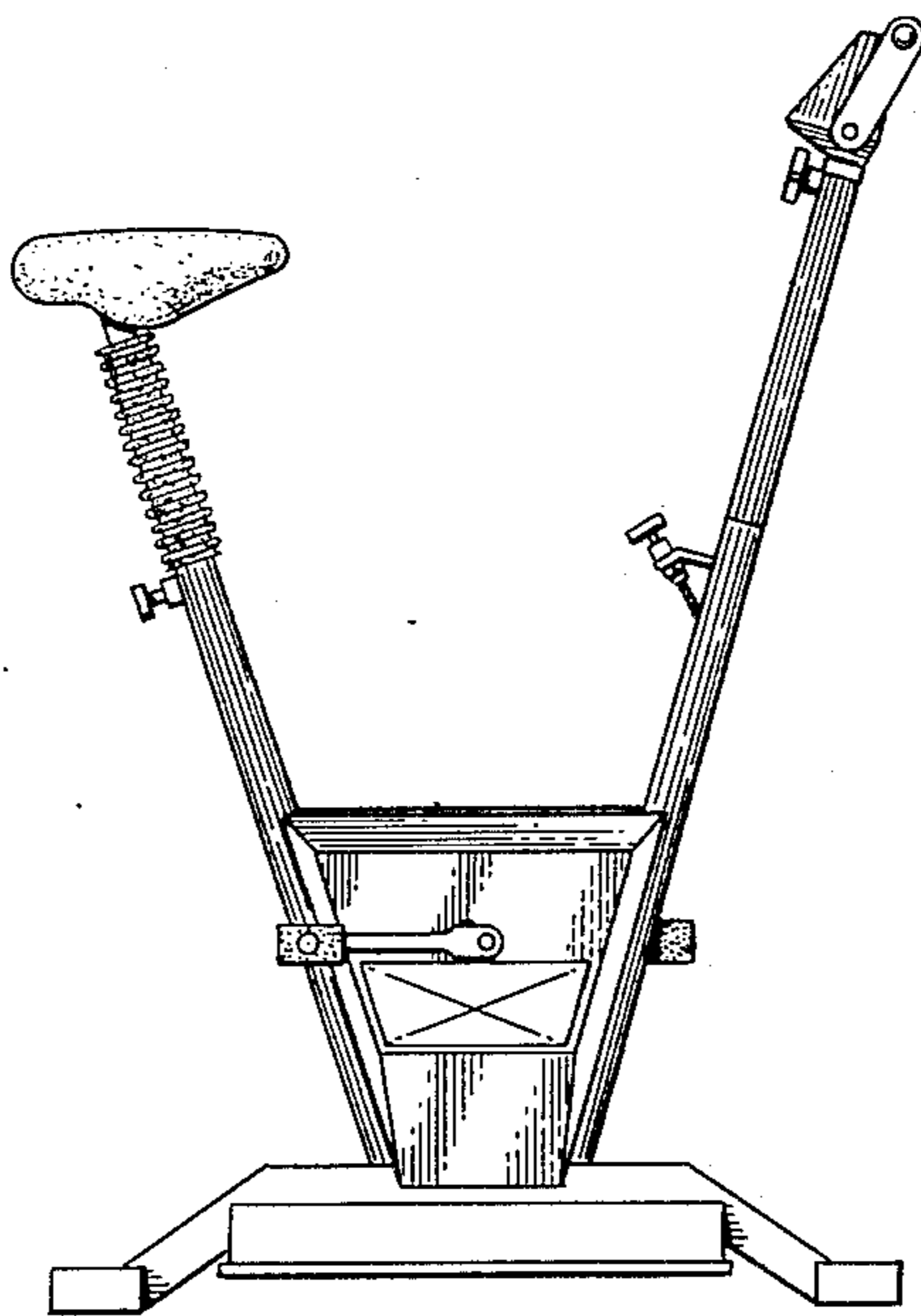


FIG. 2

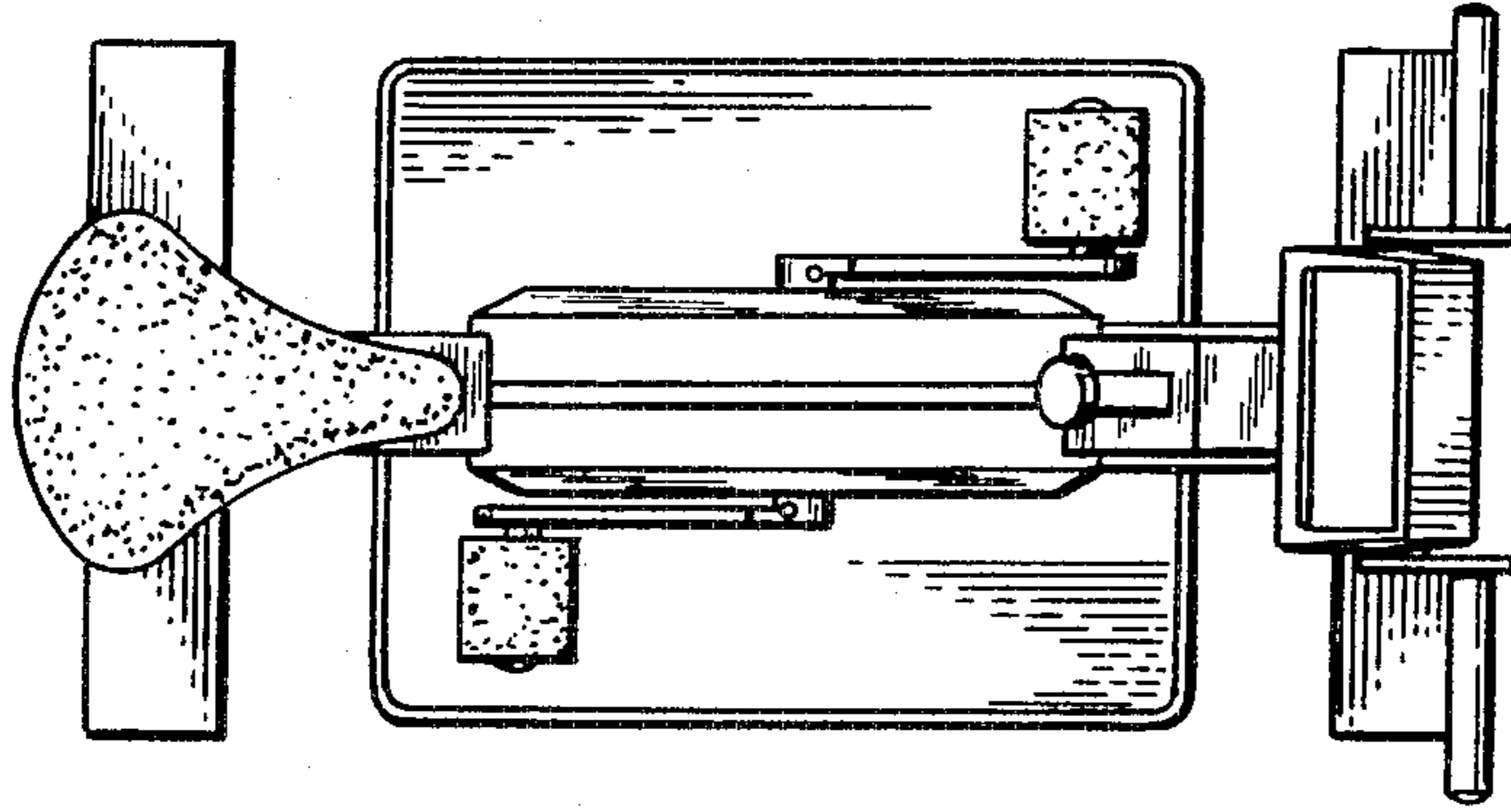


FIG. 1

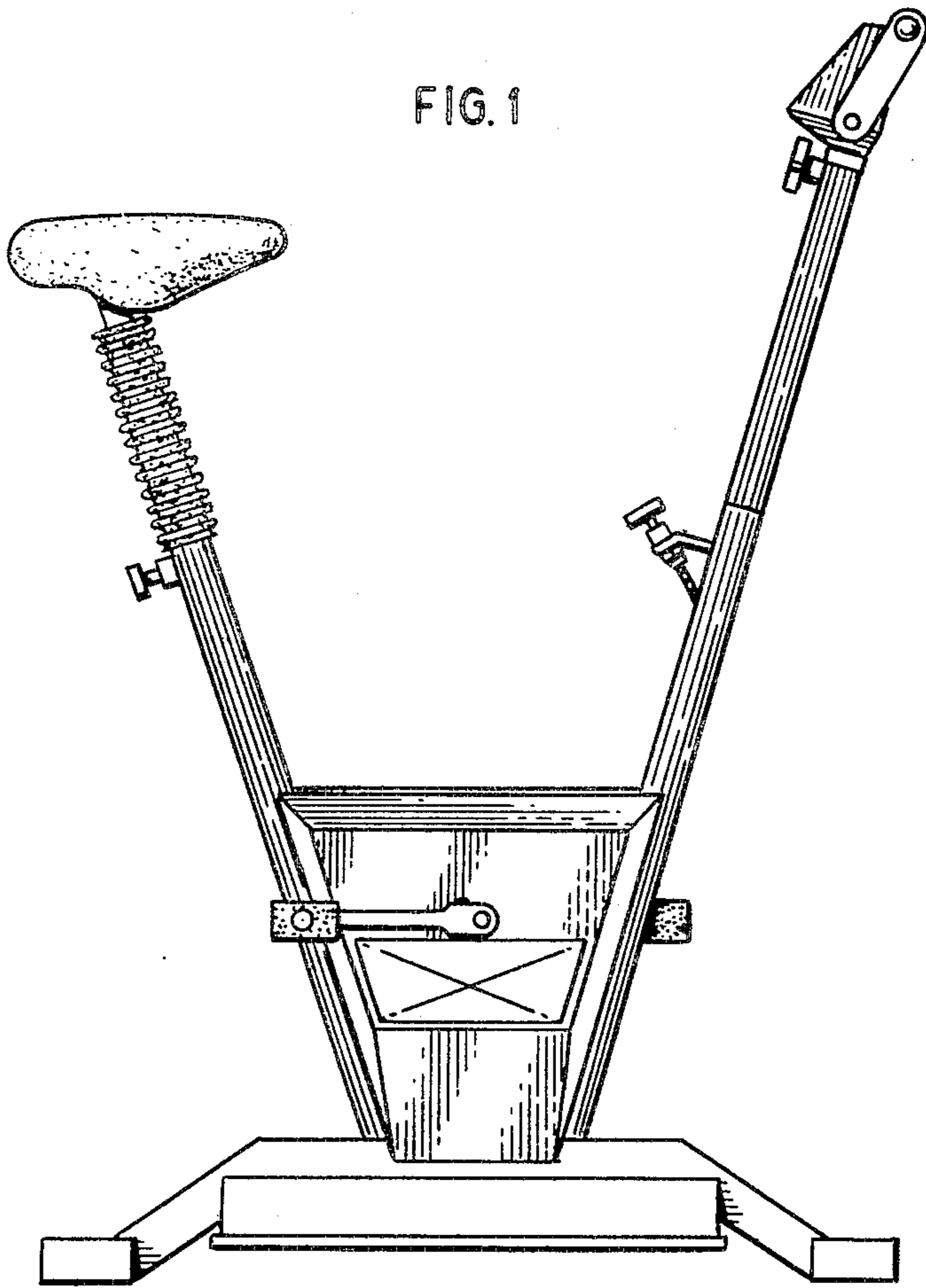


FIG. 3

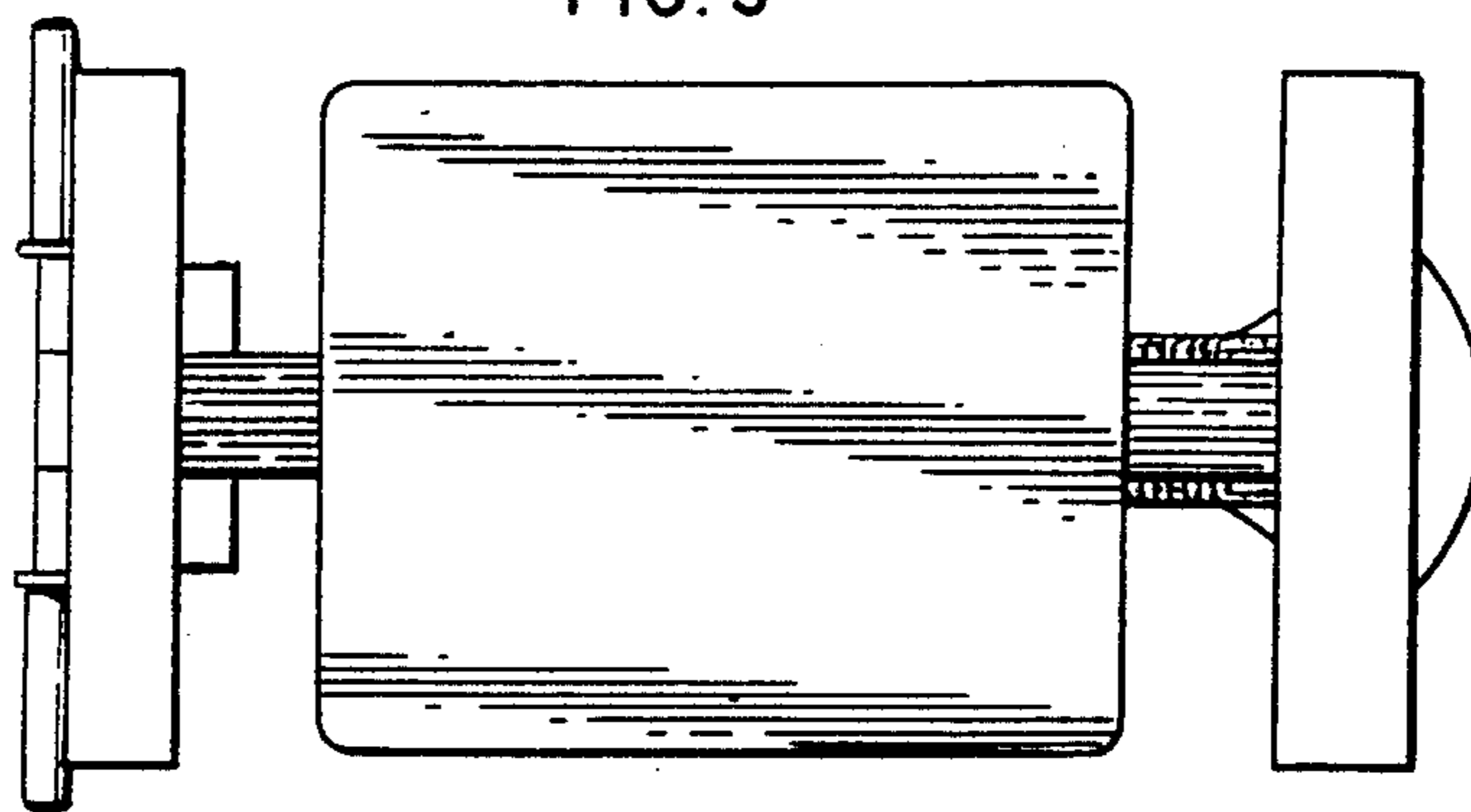


FIG. 4

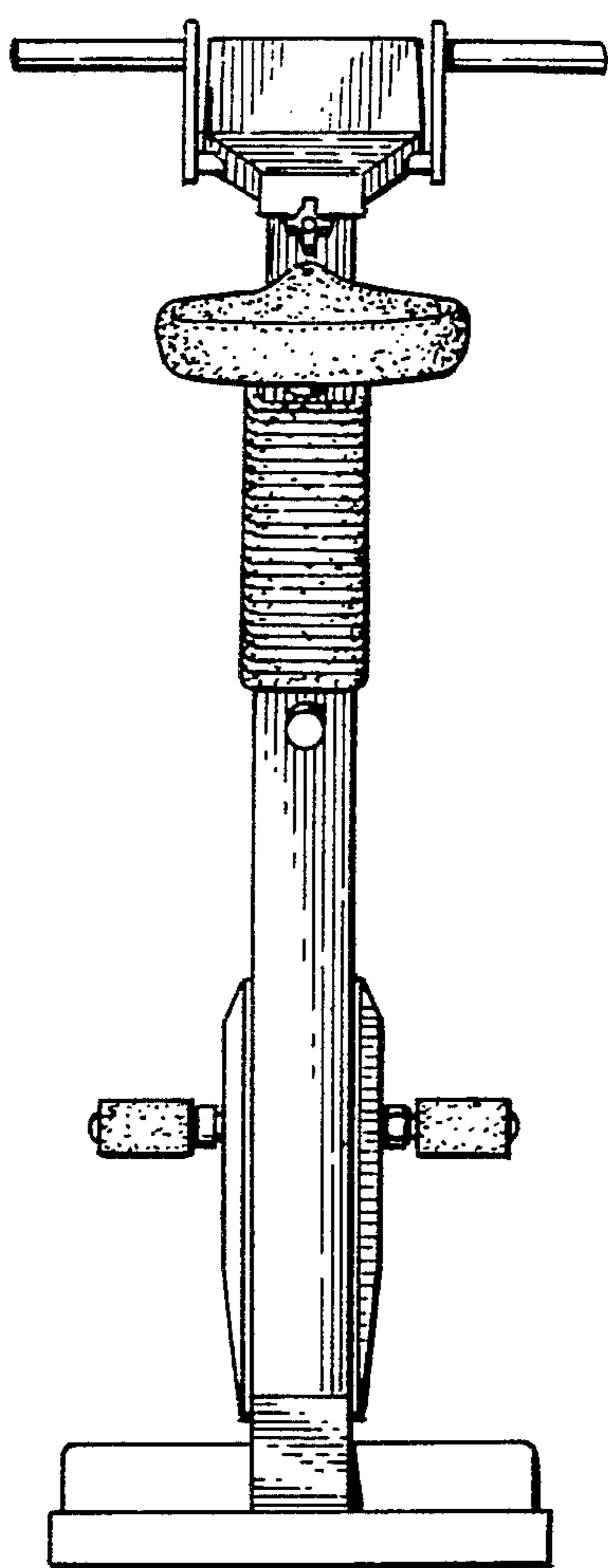


FIG. 5

