

# United States Patent [19]

Kasuba et al.

[11] Patent Number: **Des. 289,669**

[45] Date of Patent: **\*\* May 5, 1987**

[54] **EXERCISE CYCLE**

[75] Inventors: **John A. Kasuba**, Germantown; **John T. Kanne**, Memphis; **Sajjan S. Dhaliwal**, Germantown, all of Tenn.; **Emerson J. Purkapile**, Chicago, Ill.

[73] Assignee: **Allegheny International Exercise Co.**, Lincolnton, N.C.

[\*\*] Term: **14 Years**

[21] Appl. No.: **696,615**

[22] Filed: **Jan. 30, 1985**

[52] U.S. Cl. .... **D21/194**

[58] Field of Search ..... **D21/191-199;**  
**272/73, 182, DIG. 6, 70.3; 73/379**

[56] **References Cited**

**U.S. PATENT DOCUMENTS**

D. 278,268 4/1985 Kiiski ..... D21/194

D. 279,206 6/1985 Smith et al. .... D21/194  
D. 279,811 7/1985 Nakao et al. .... D21/194  
D. 280,003 8/1985 Kiiski ..... D21/194  
D. 280,923 10/1985 Smith et al. .... D21/194

*Primary Examiner*—Charles A. Rademaker  
*Attorney, Agent, or Firm*—John L. LaPierre; John K. Williamson

[57] **CLAIM**

The ornamental design for an exercise cycle, as shown and described.

**DESCRIPTION**

FIG. 1 is a right side elevational view of an exercise cycle illustrating our new design, the side opposite being substantially a mirror image;  
FIG. 2 is a front elevational view thereof;  
FIG. 3 is a rear elevational view thereof;  
FIG. 4 is a top plan view thereof; and  
FIG. 5 is a bottom plan view thereof.

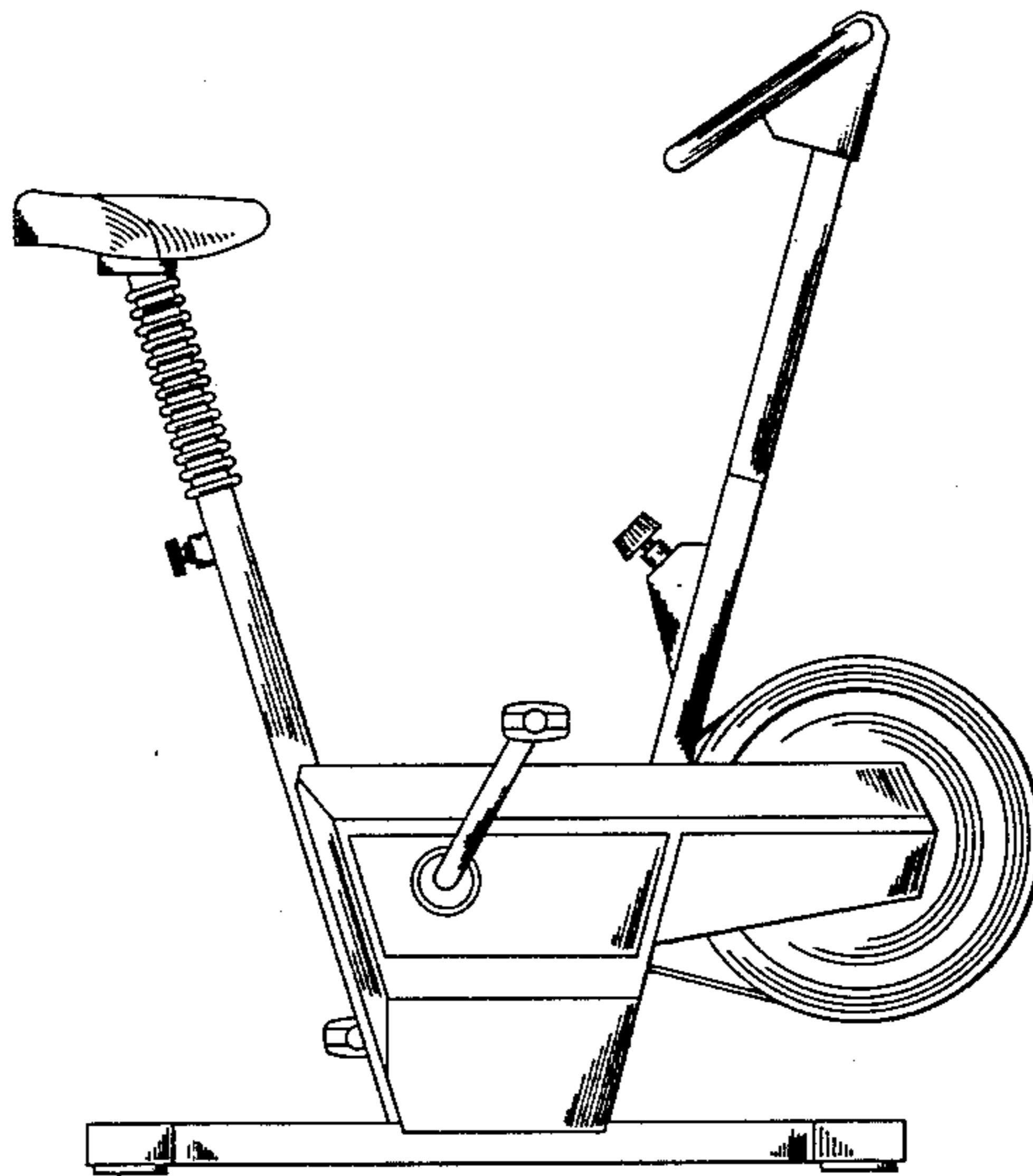


FIG. 1

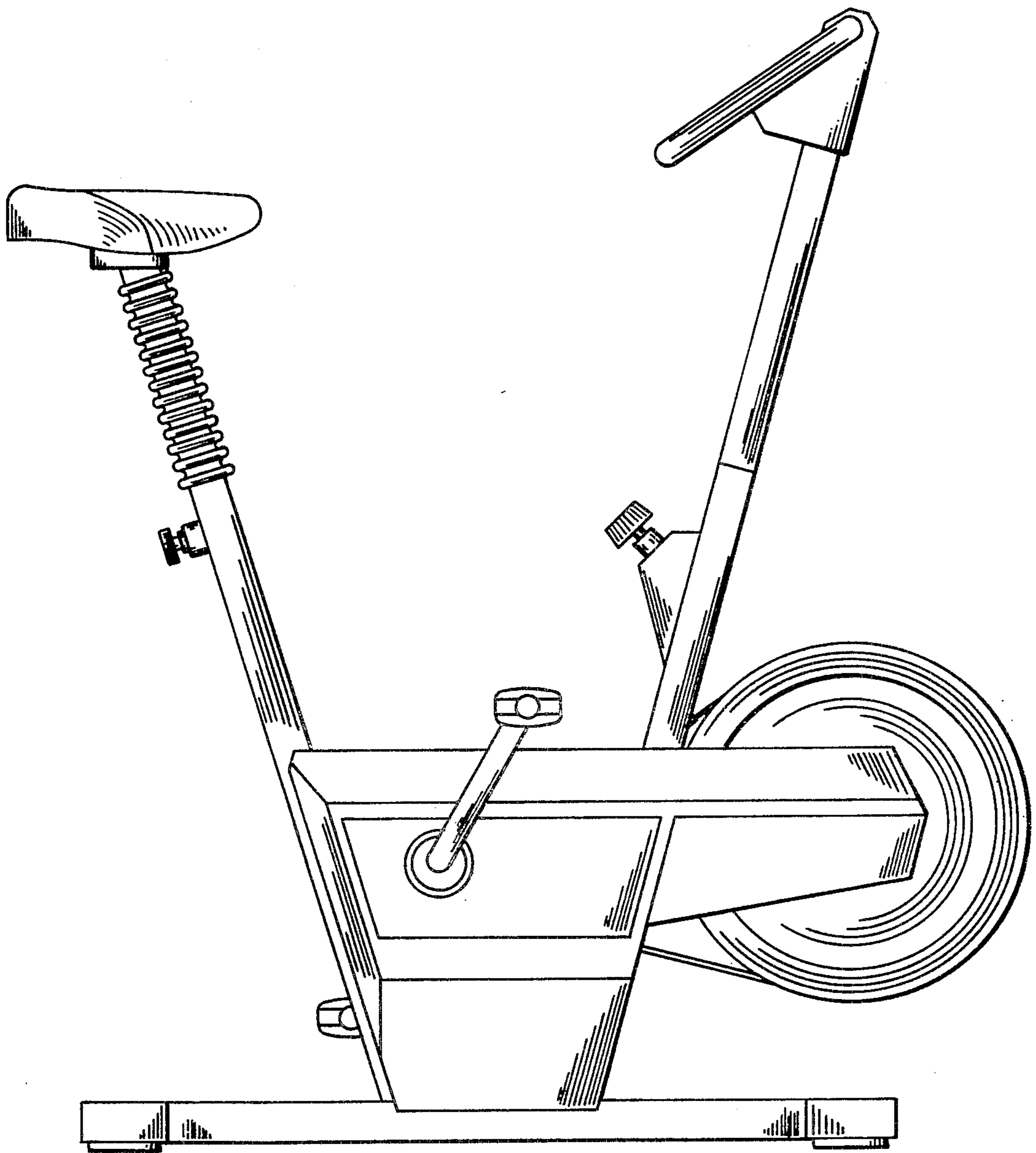


FIG. 2

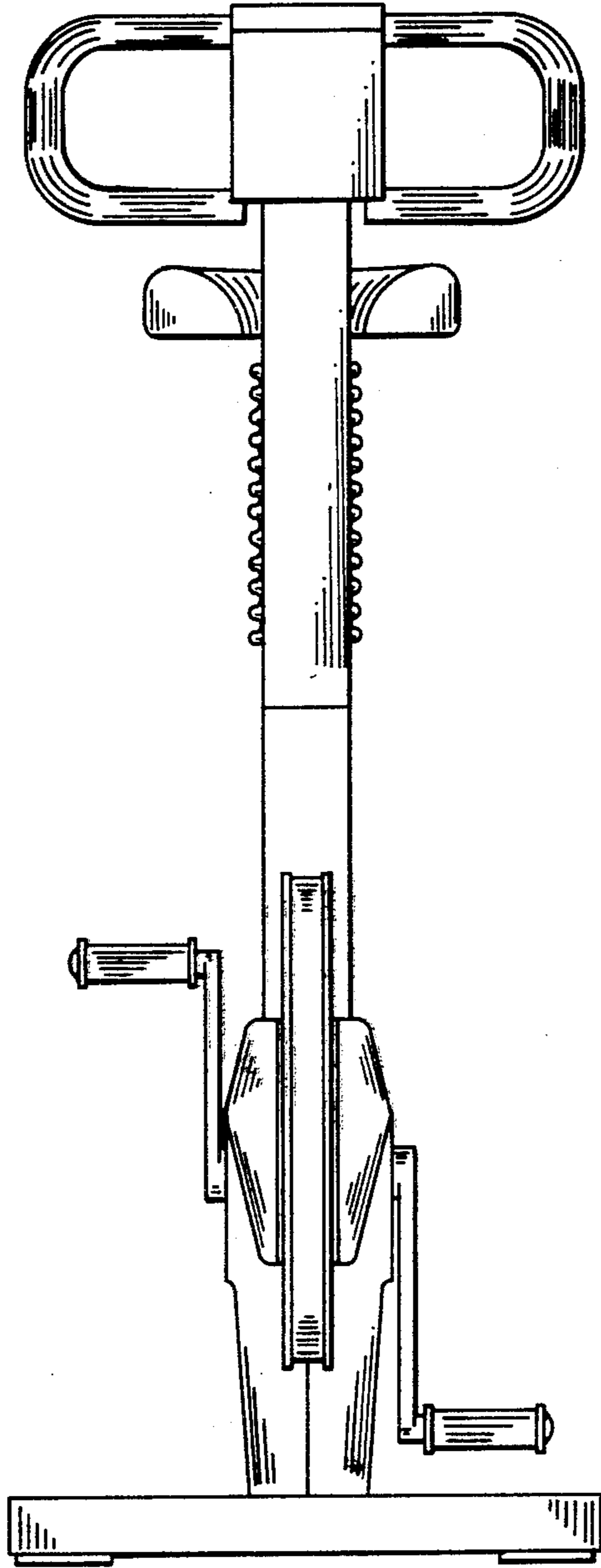


FIG. 3

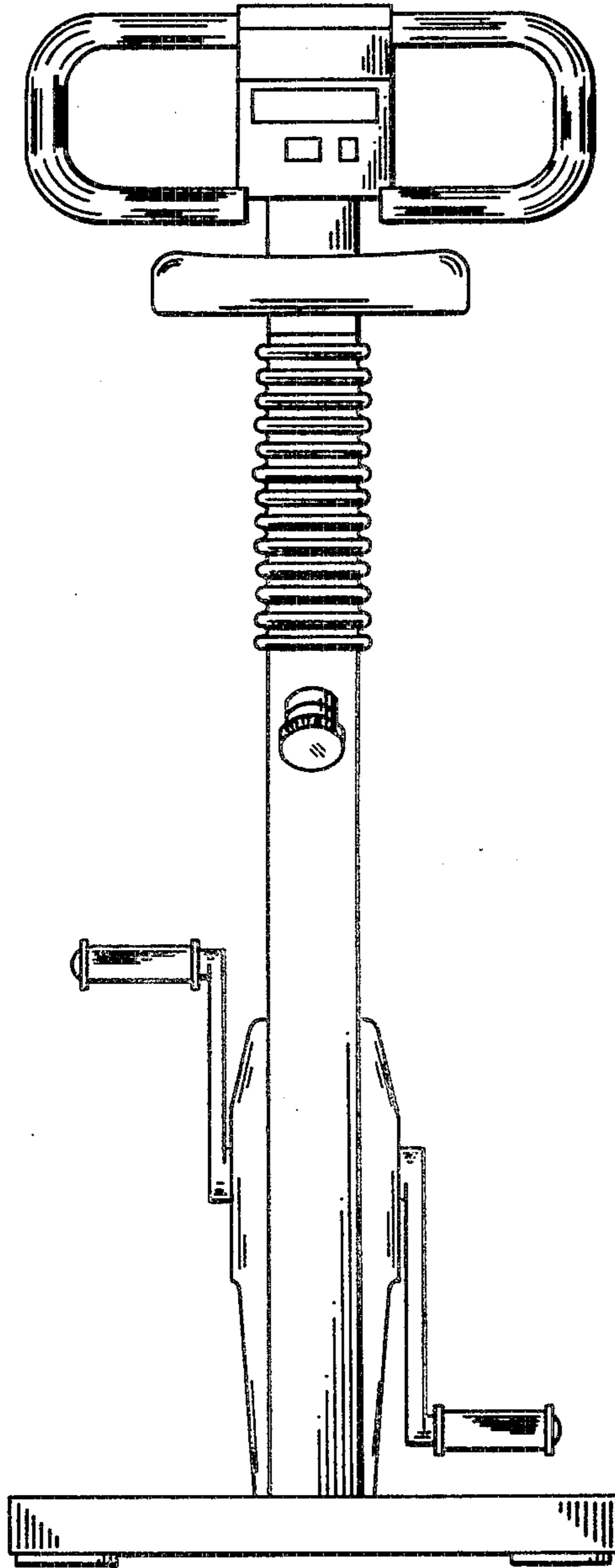


FIG. 4

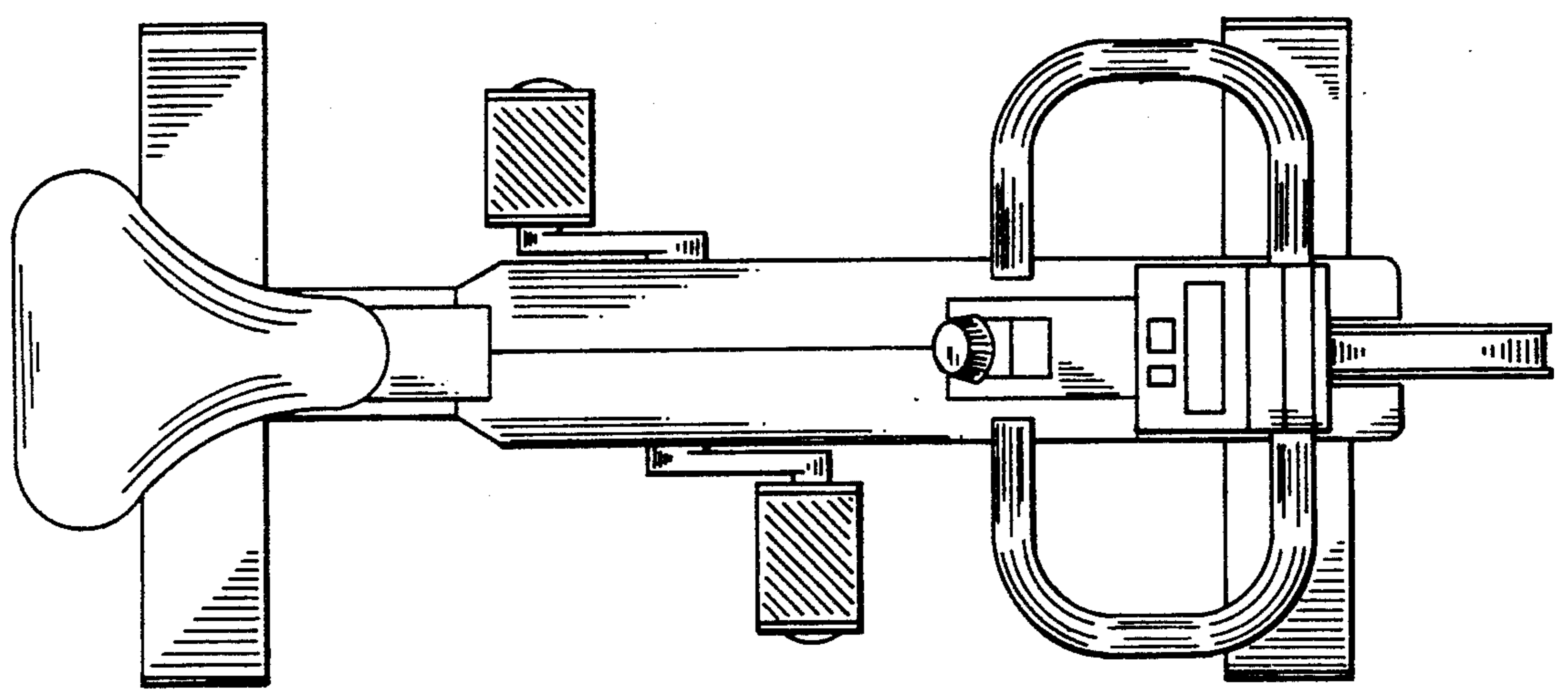


FIG. 5

