

[54] **EXERCISE TREADMILL**

4,151,988 5/1979 Nabinger 272/69

[75] Inventors: **Dan E. Gremonprez**, West Bend, Wis.; **William C. Cesaroni**, Glenview, Ill.

[73] Assignee: **Dart Industries Inc.**, Northbrook, Ill.

[**] Term: **14 Years**

[21] Appl. No.: **695,996**

[22] Filed: **Jan. 29, 1985**

[52] U.S. Cl. **D21/192**

[58] Field of Search **D21/191-199; 272/69, 65**

[56] **References Cited**

U.S. PATENT DOCUMENTS

D. 231,678	5/1974	Trotter	D21/192
D. 273,029	3/1984	Kullenberg	D21/192
D. 283,239	4/1986	Smith et al.	D21/192
3,659,845	5/1972	Quinton	272/69
3,711,812	1/1973	Cherry	272/69

OTHER PUBLICATIONS

Schoner Wohnen Magazine, 11-1984, p. 112, Item #1, Treadmill.

Marcy catalog ©1983, p. 19, "Pacesetter Treadmill #2011".

Primary Examiner—Charles A. Rademaker

Attorney, Agent, or Firm—Gregory J. Mancuso

[57] **CLAIM**

The ornamental design for exercise treadmill, substantially as shown.

DESCRIPTION

FIG. 1 is a side perspective view of the exercise treadmill showing our new design;

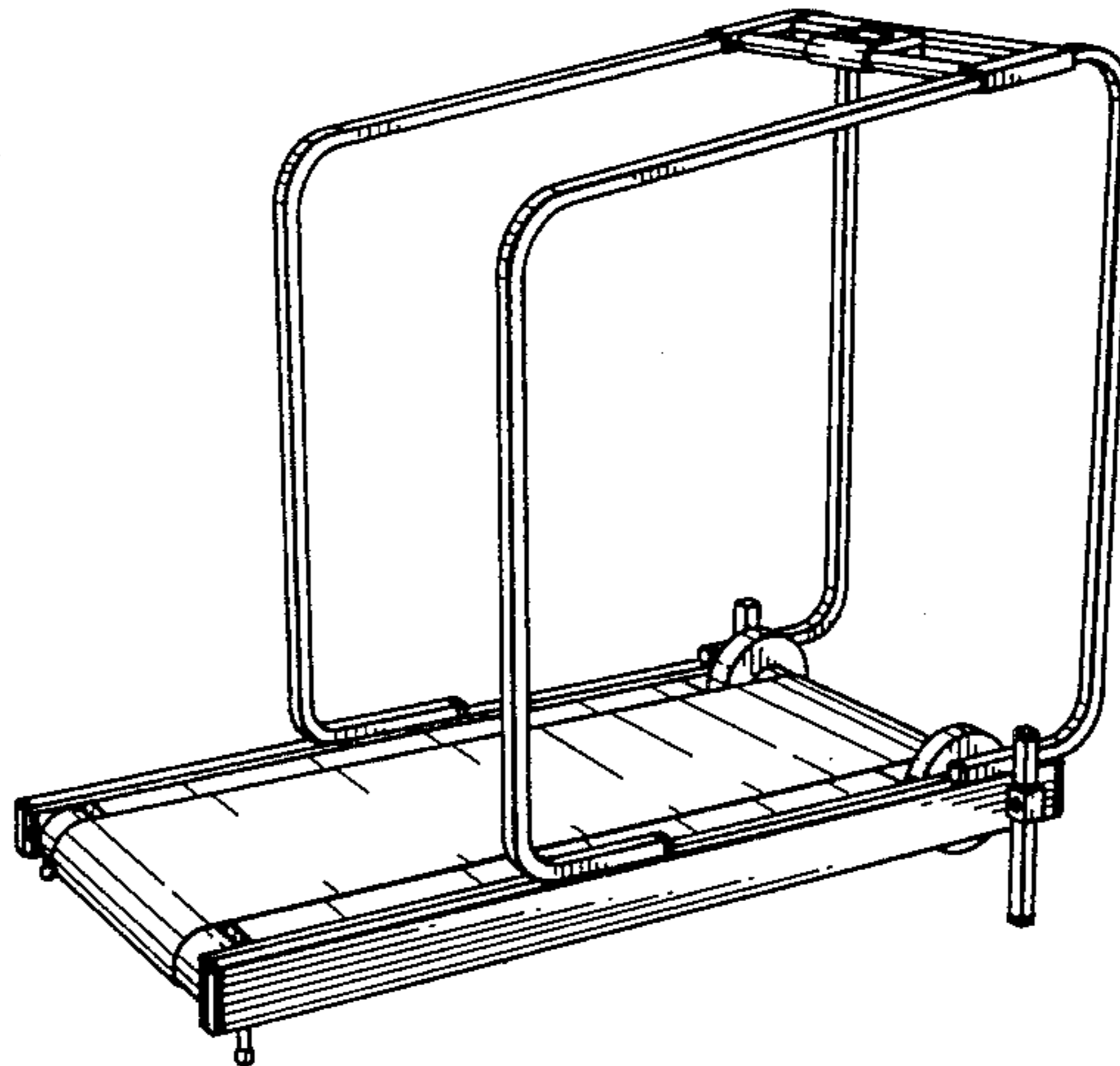
FIG. 2 is a side elevational view thereof;

FIG. 3 is a front elevational view thereof;

FIG. 4 is a rear elevational view thereof;

FIG. 5 is a top plan view thereof;

FIG. 6 is a bottom plan view thereof.



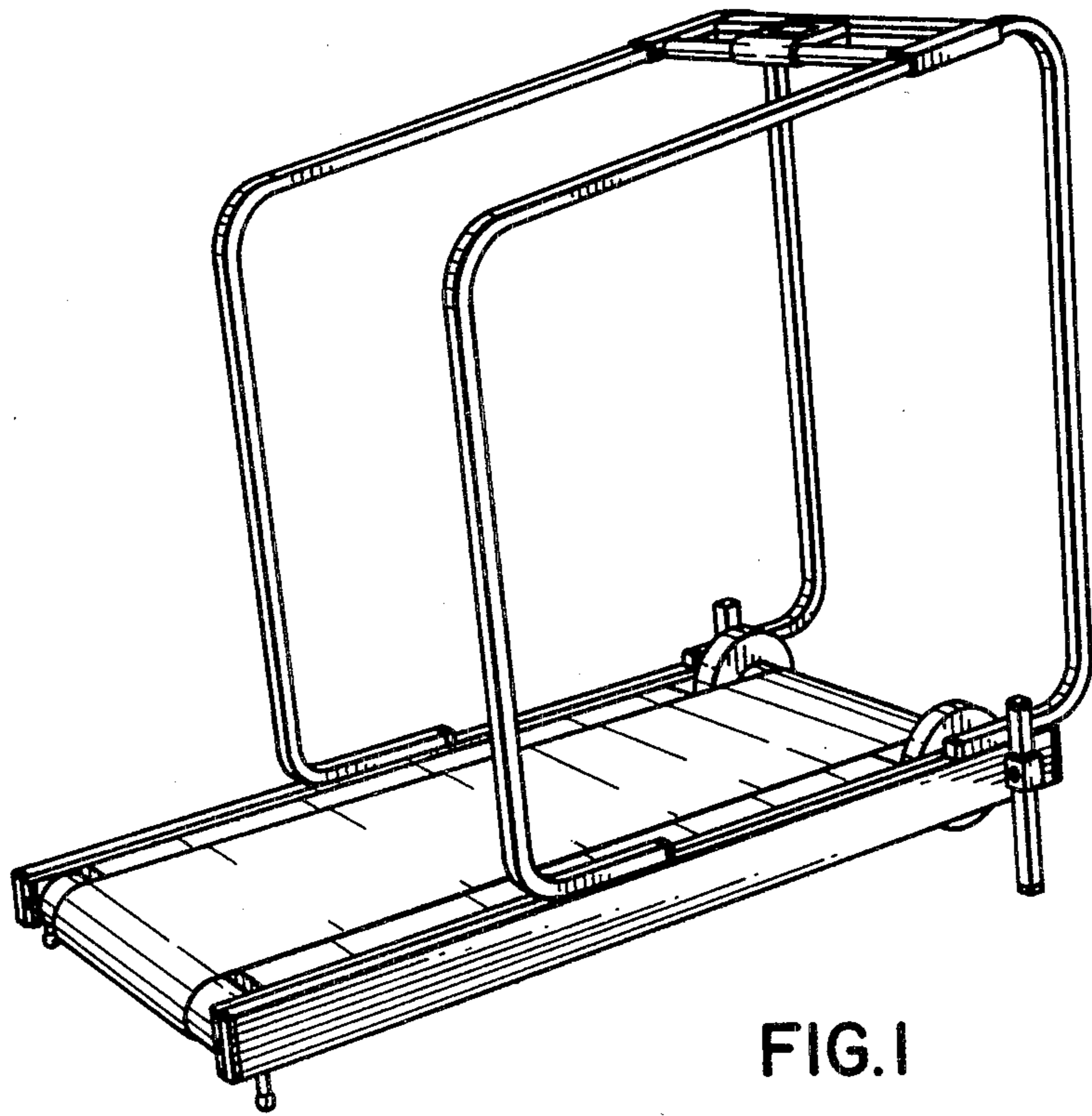


FIG. 1

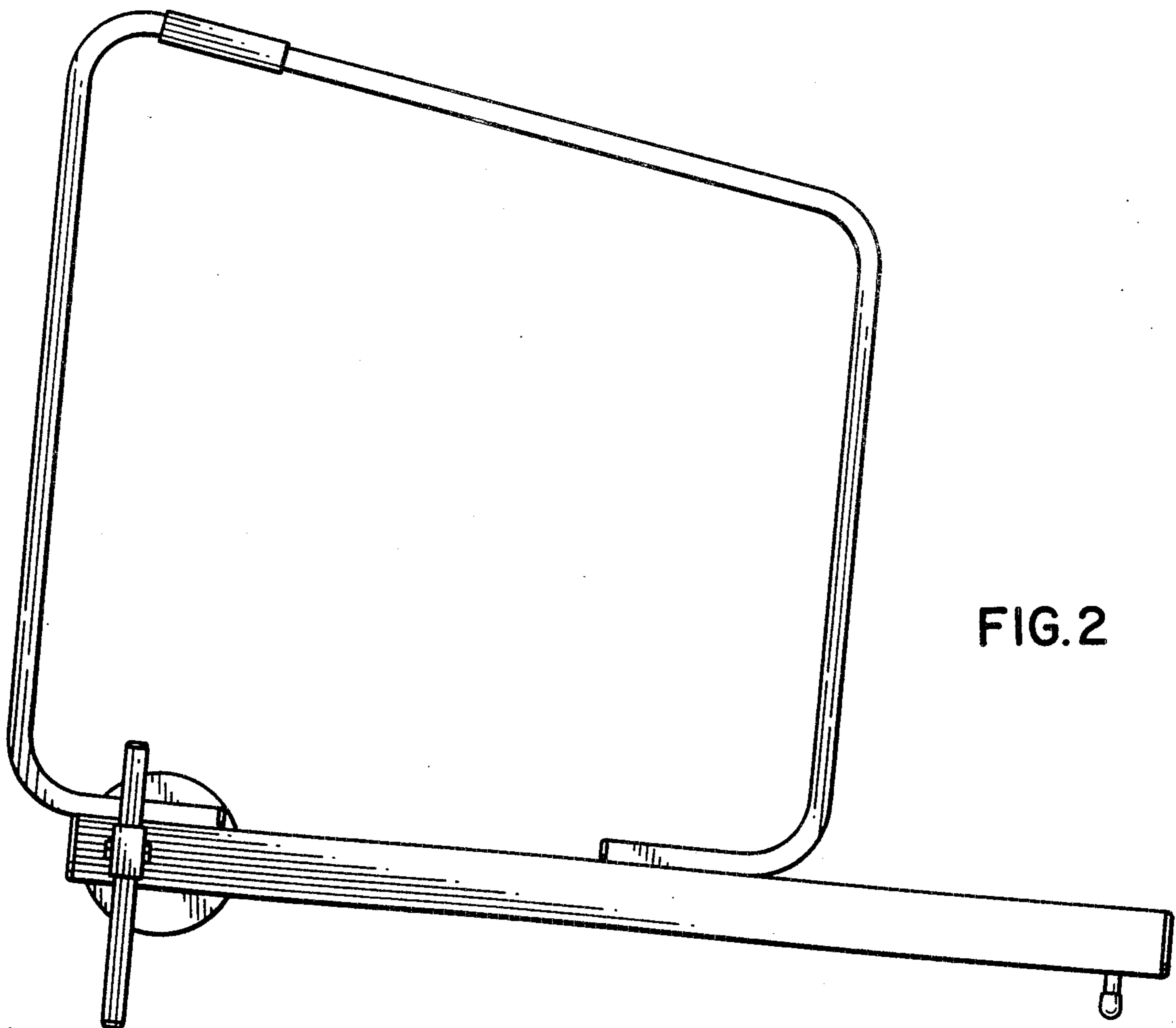


FIG. 2

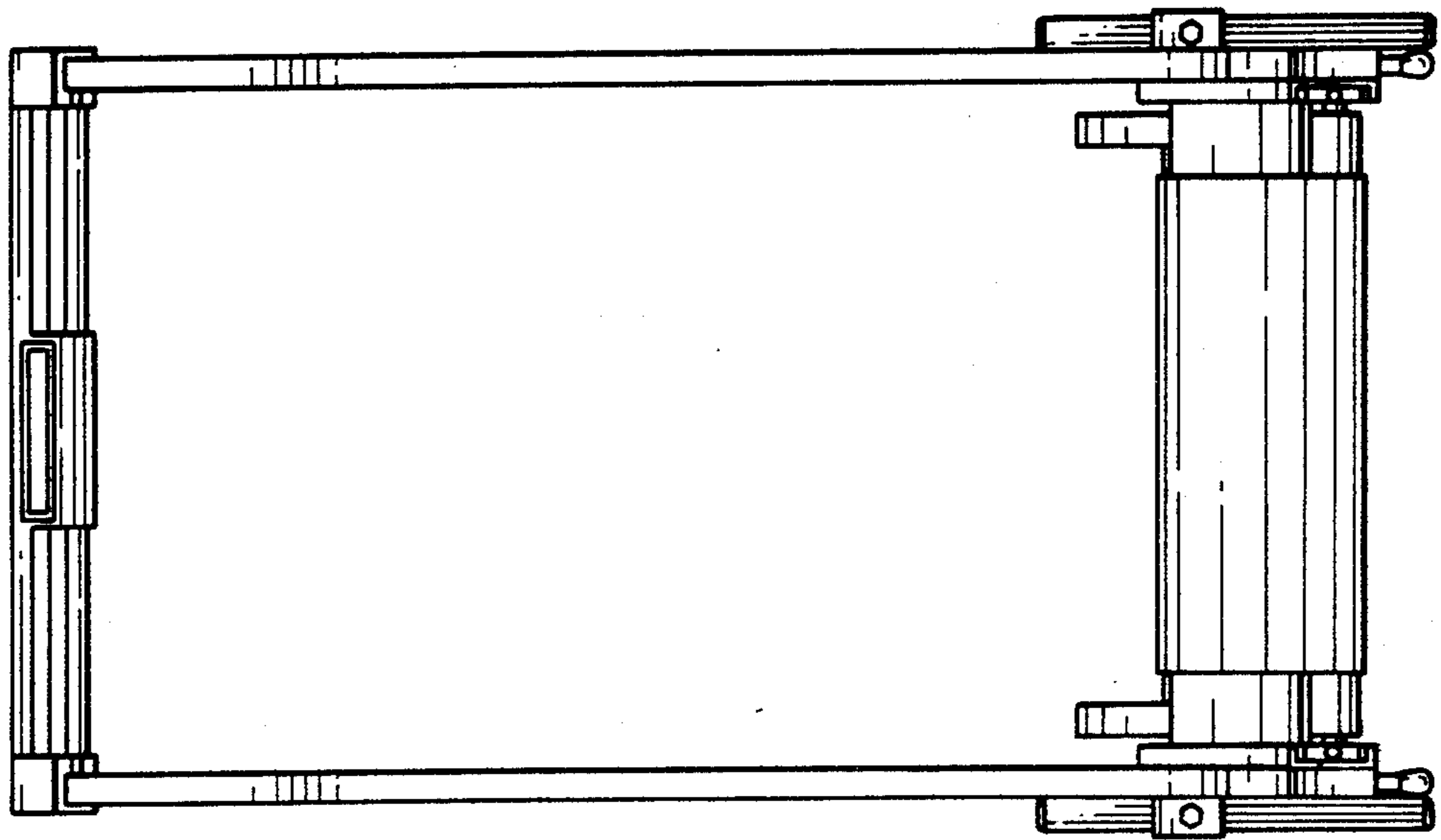


FIG. 4

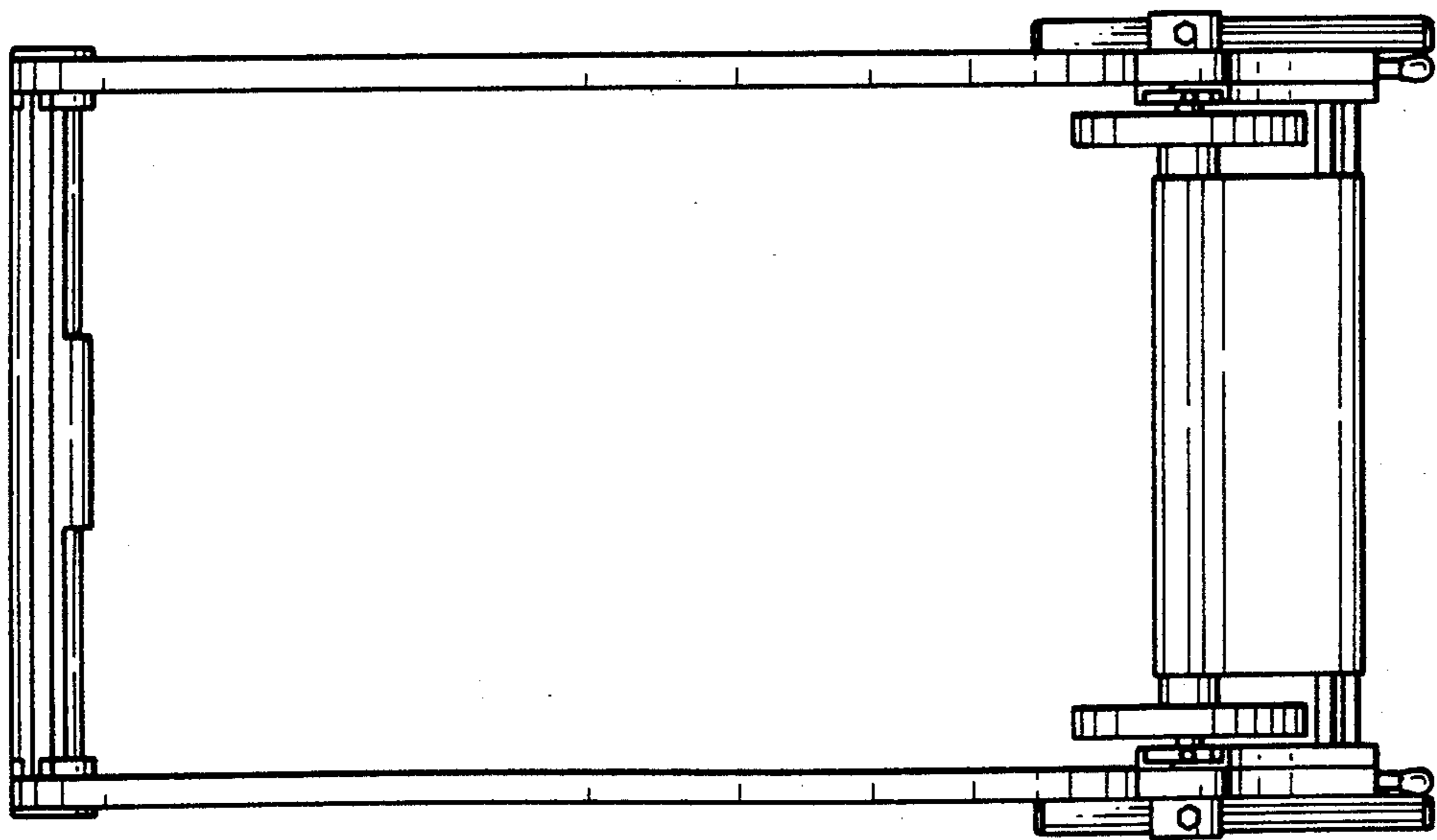


FIG. 3

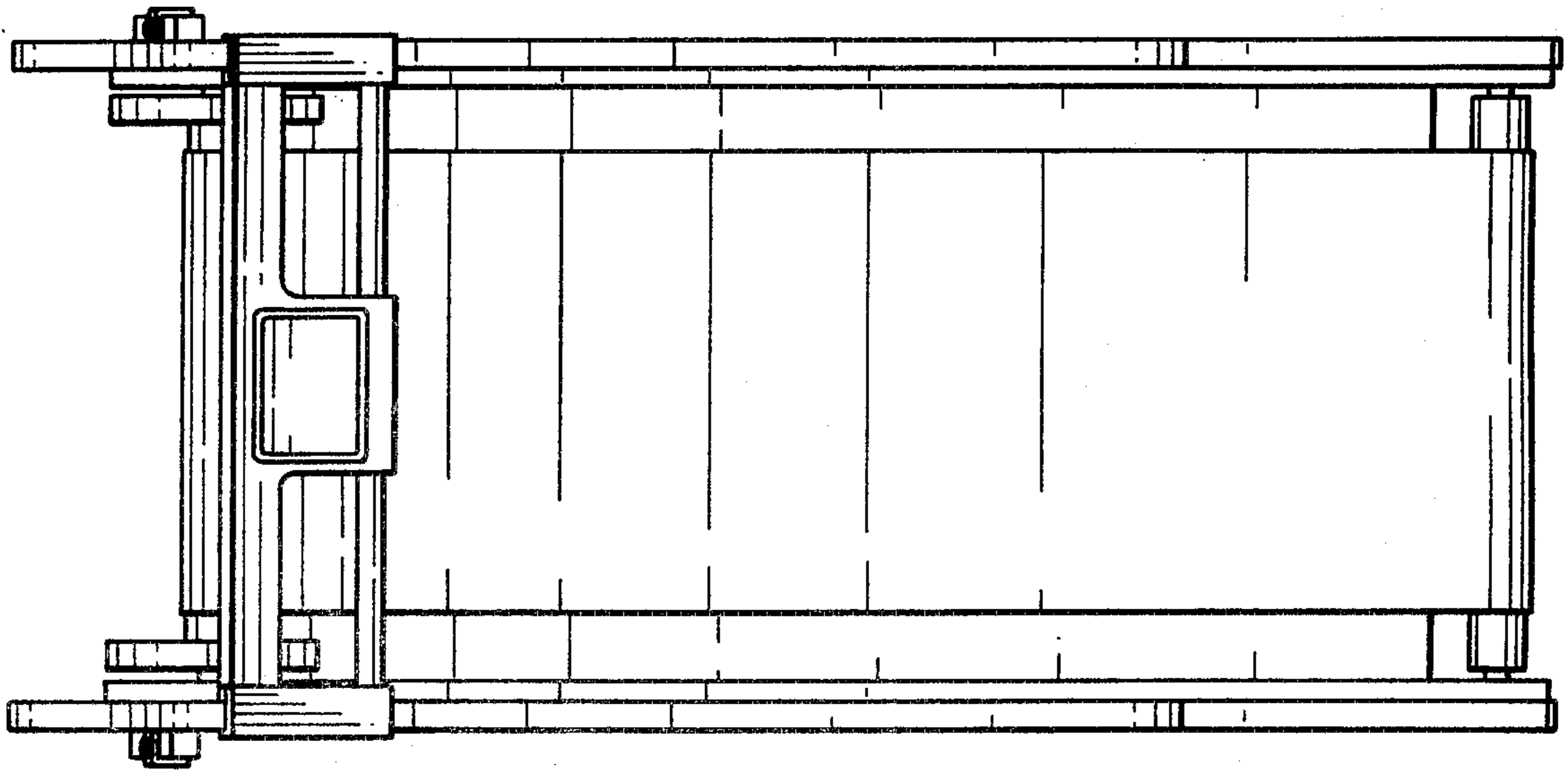


FIG. 5

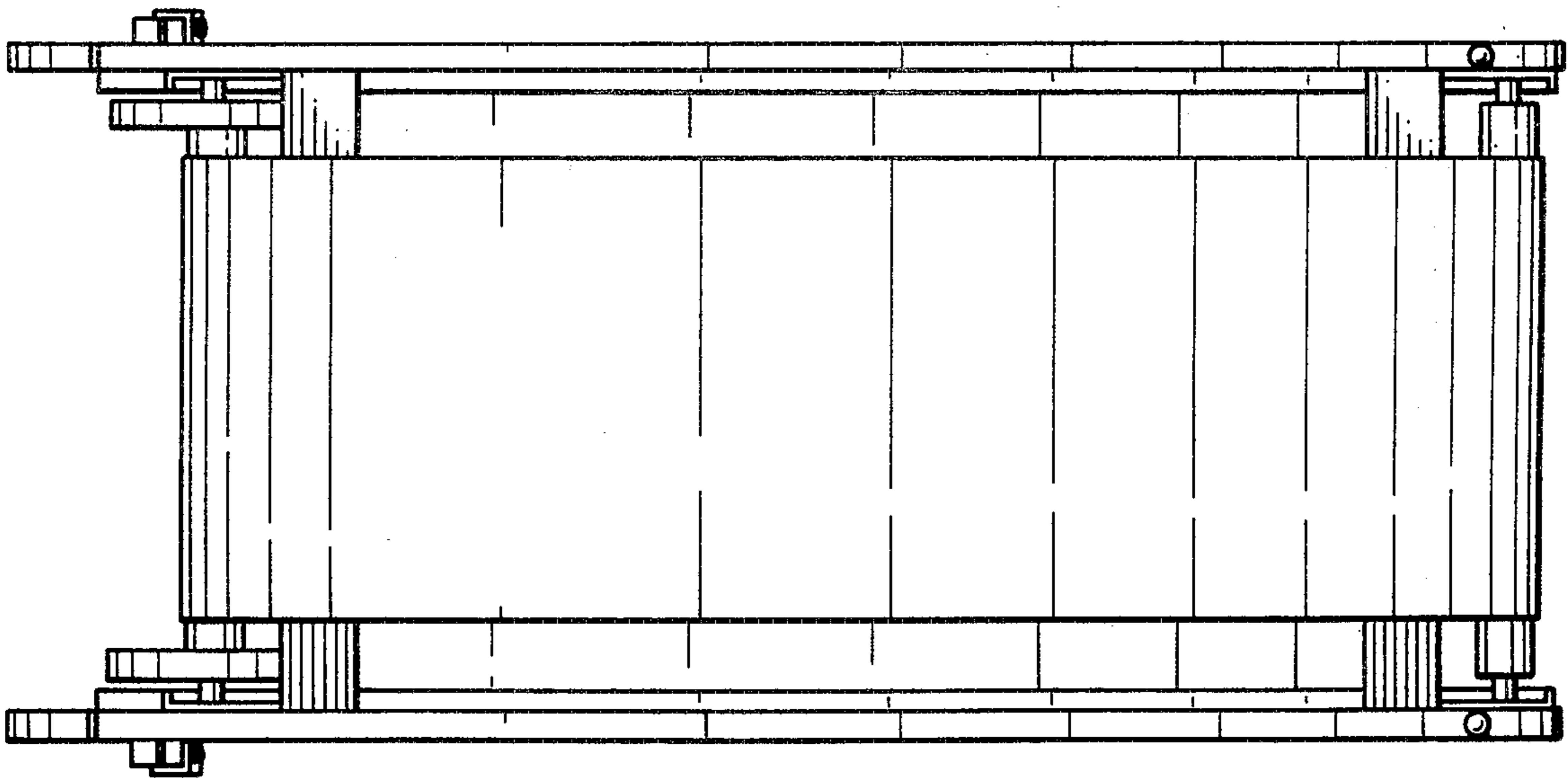


FIG. 6