

[54] **RECONFIGURABLE TOY VEHICLE**  
 [75] Inventor: **Toshiaki Nagano, Mibu, Japan**  
 [73] Assignee: **Shinsei Kogyo Co., Ltd., Tokyo, Japan**  
 [\*\*] Term: **14 Years**  
 [21] Appl. No.: **661,313**  
 [22] Filed: **Oct. 16, 1984**

[30] **Foreign Application Priority Data**  
 Apr. 16, 1984 [JP] Japan ..... 59-015252  
 [52] U.S. Cl. .... **D21/136; D21/150; D21/166**  
 [58] Field of Search ..... **D21/128, 129, 134, 136, D21/150, 166; 446/71, 72, 76, 77, 94, 97, 383, 381, 487**

[56] **References Cited**  
**U.S. PATENT DOCUMENTS**  
 D. 275,122 8/1984 Murakami ..... D21/150  
 D. 279,305 6/1985 Murakami ..... D21/150  
 D. 279,306 6/1985 Murakami ..... D21/128  
 D. 279,307 6/1985 Murakami ..... D21/136

D. 284,490 7/1986 Ohno ..... D21/128  
 D. 284,491 7/1986 Ohno ..... D21/150  
 4,516,948 5/1985 Obara ..... 446/97  
 4,586,911 5/1986 Murakami ..... 446/487

*Primary Examiner*—Charles A. Rademaker  
*Attorney, Agent, or Firm*—Staas & Halsey

[57] **CLAIM**

The ornamental design for a reconfigurable toy vehicle, substantially as shown and described.

**DESCRIPTION**

FIG. 1 is a side elevational view of a reconfigurable toy vehicle showing my new design, the side opposite being substantially a mirror image;  
 FIG. 2 is a front elevational view thereof;  
 FIG. 3 is a rear elevational view thereof;  
 FIG. 4 is a top plan view thereof;  
 FIG. 5 is a bottom plan view thereof;  
 FIG. 6 is a perspective view of the design shown in FIGS. 1 through 5 in a humanoid robot configuration;  
 FIG. 7 is a top plan view of the design shown in FIGS. 1 through 5 in an alternate reconfiguration; and,  
 FIG. 8 is a side elevational view thereof.  
 Portions of the aerial member have been omitted in FIGS. 1, 2, 3 and 8 for ease of illustration.

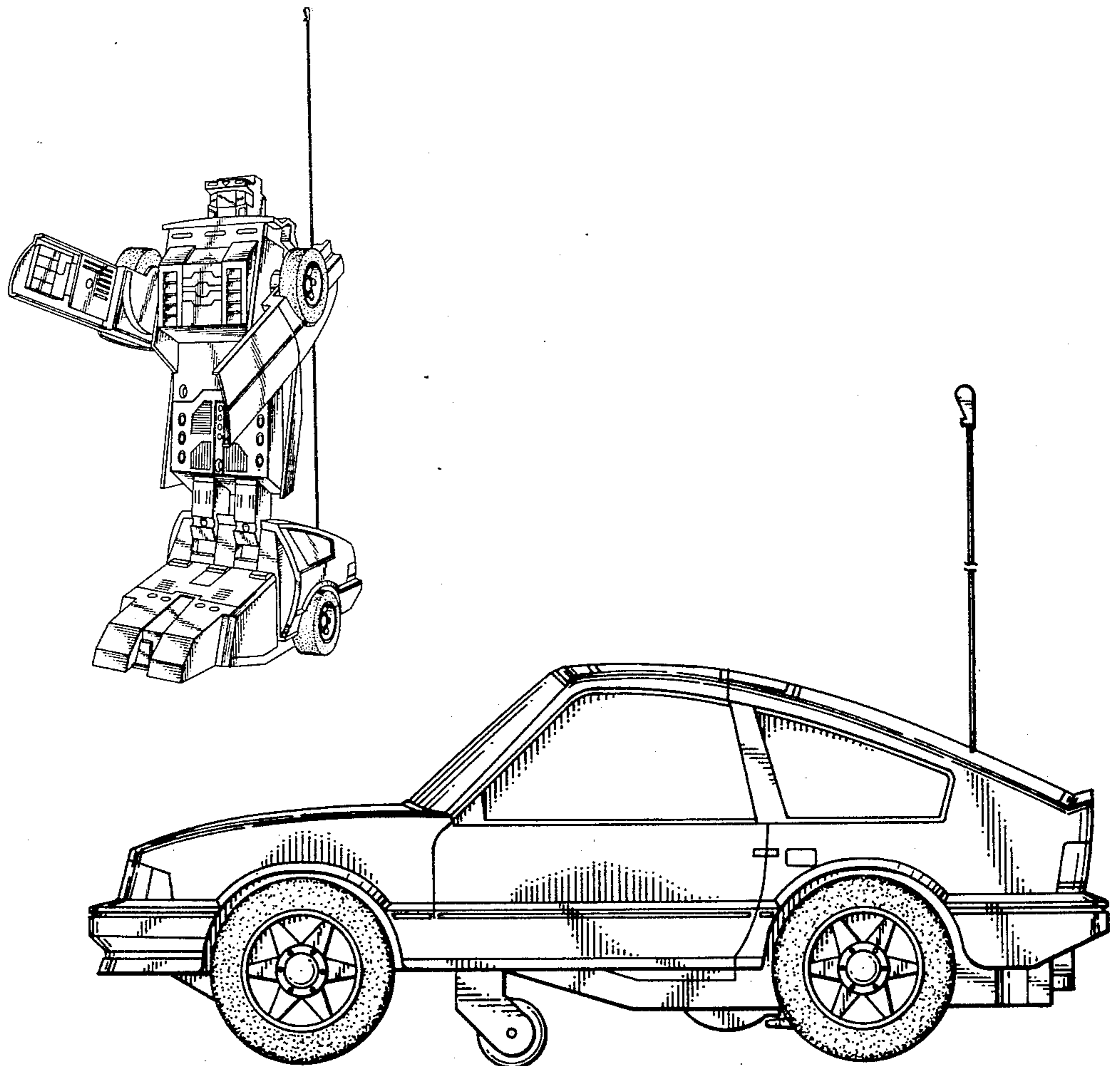


FIG. 1.

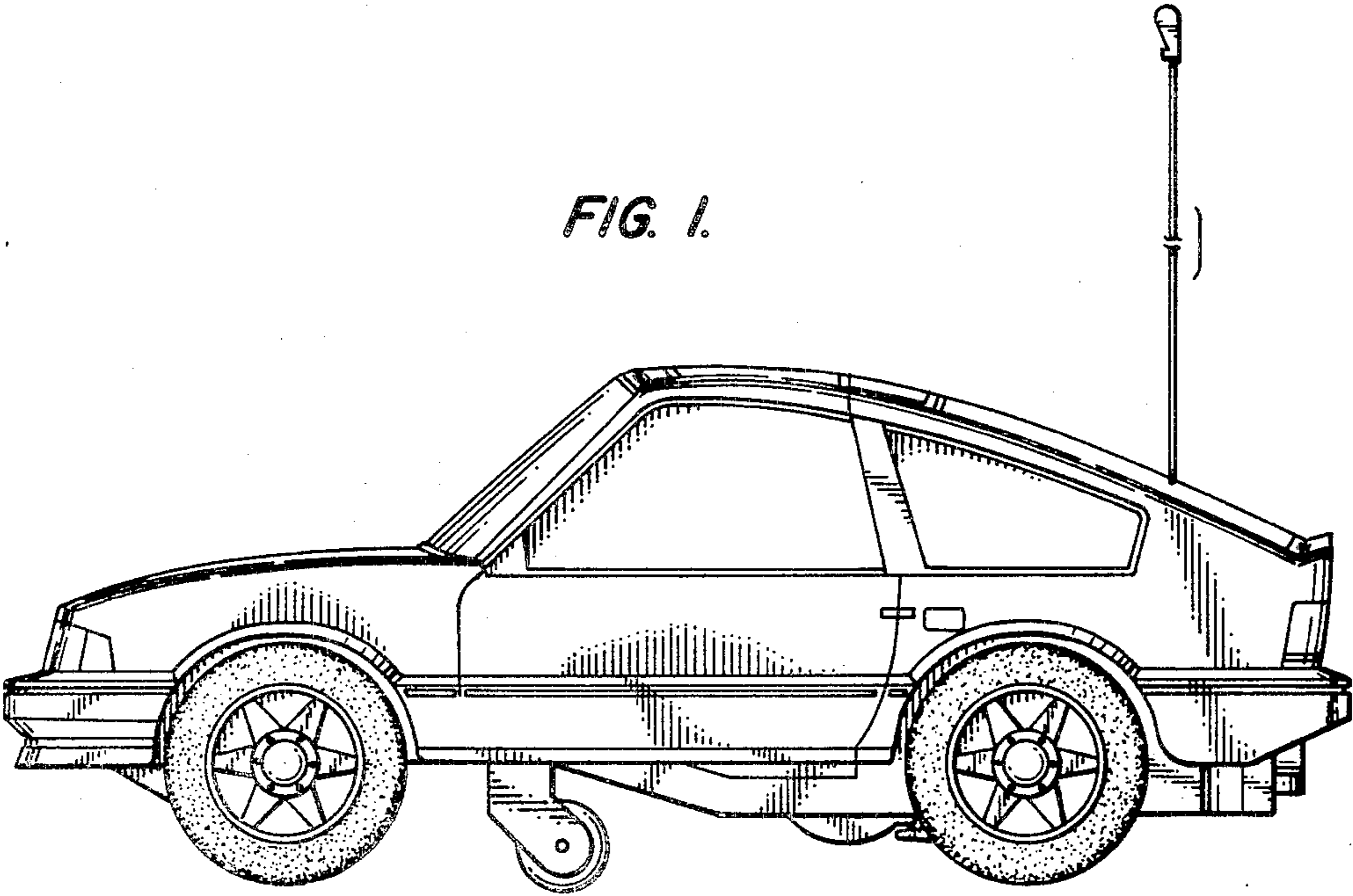


FIG. 2.

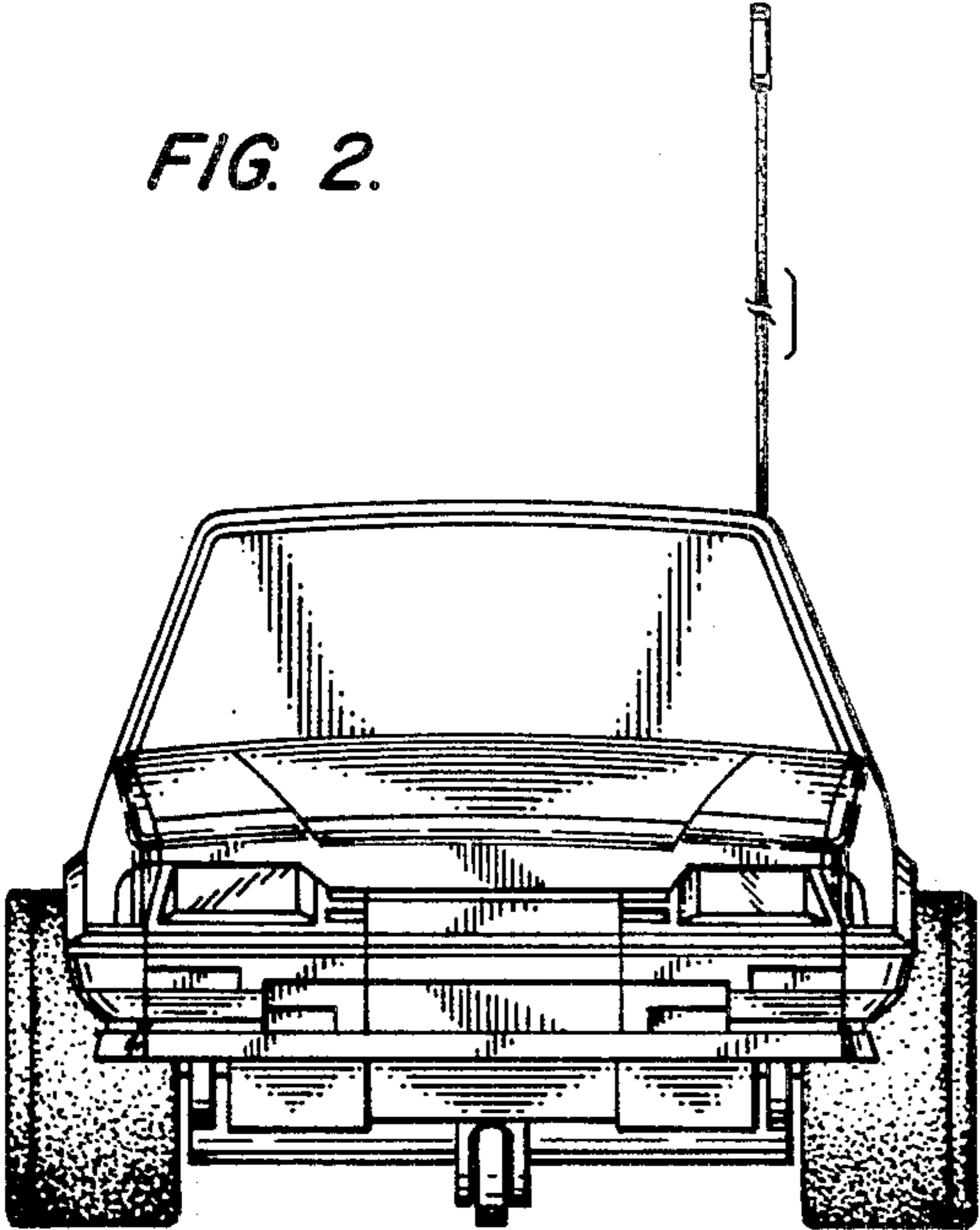


FIG. 3.

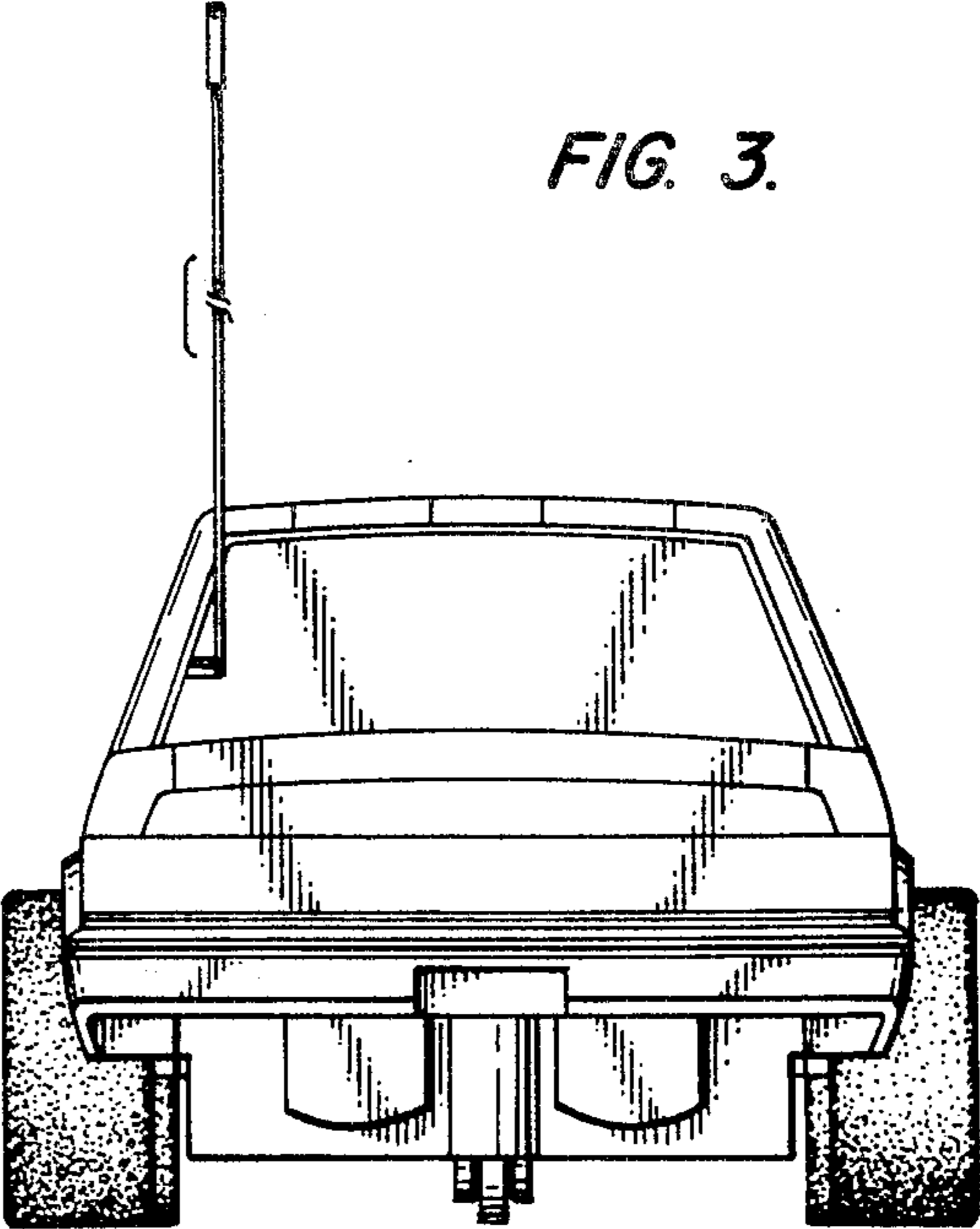




FIG. 4.

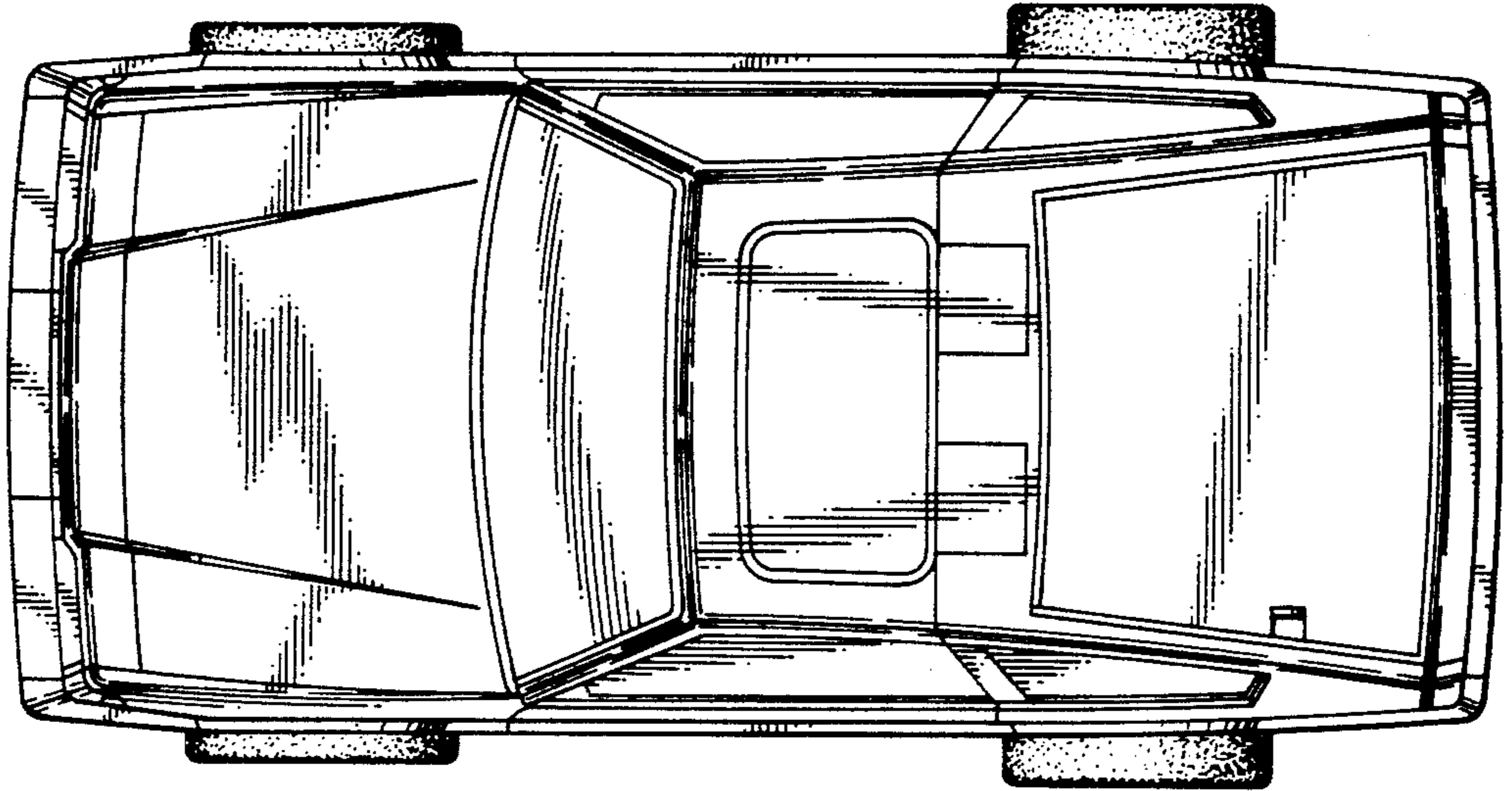


FIG. 5.

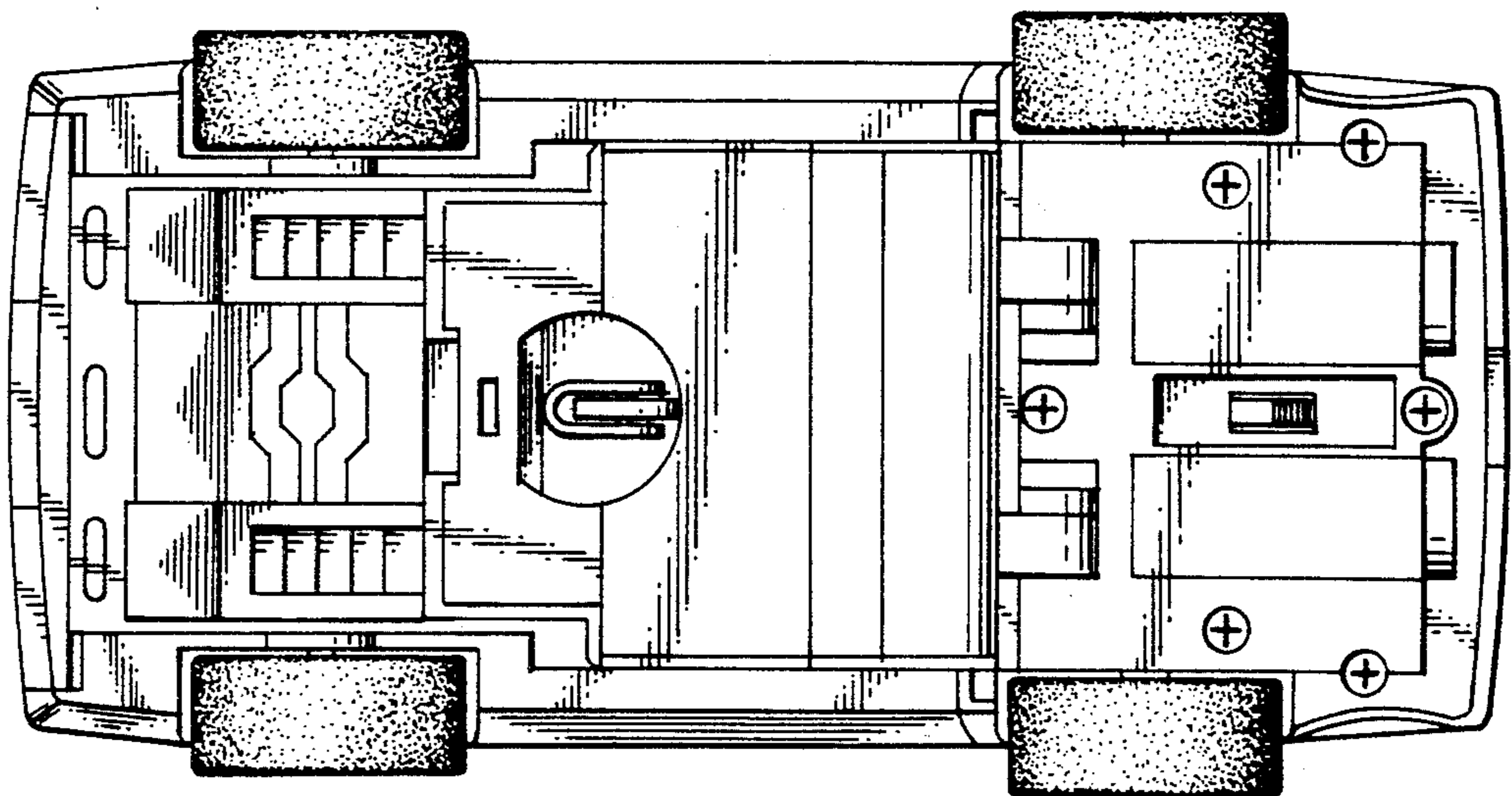
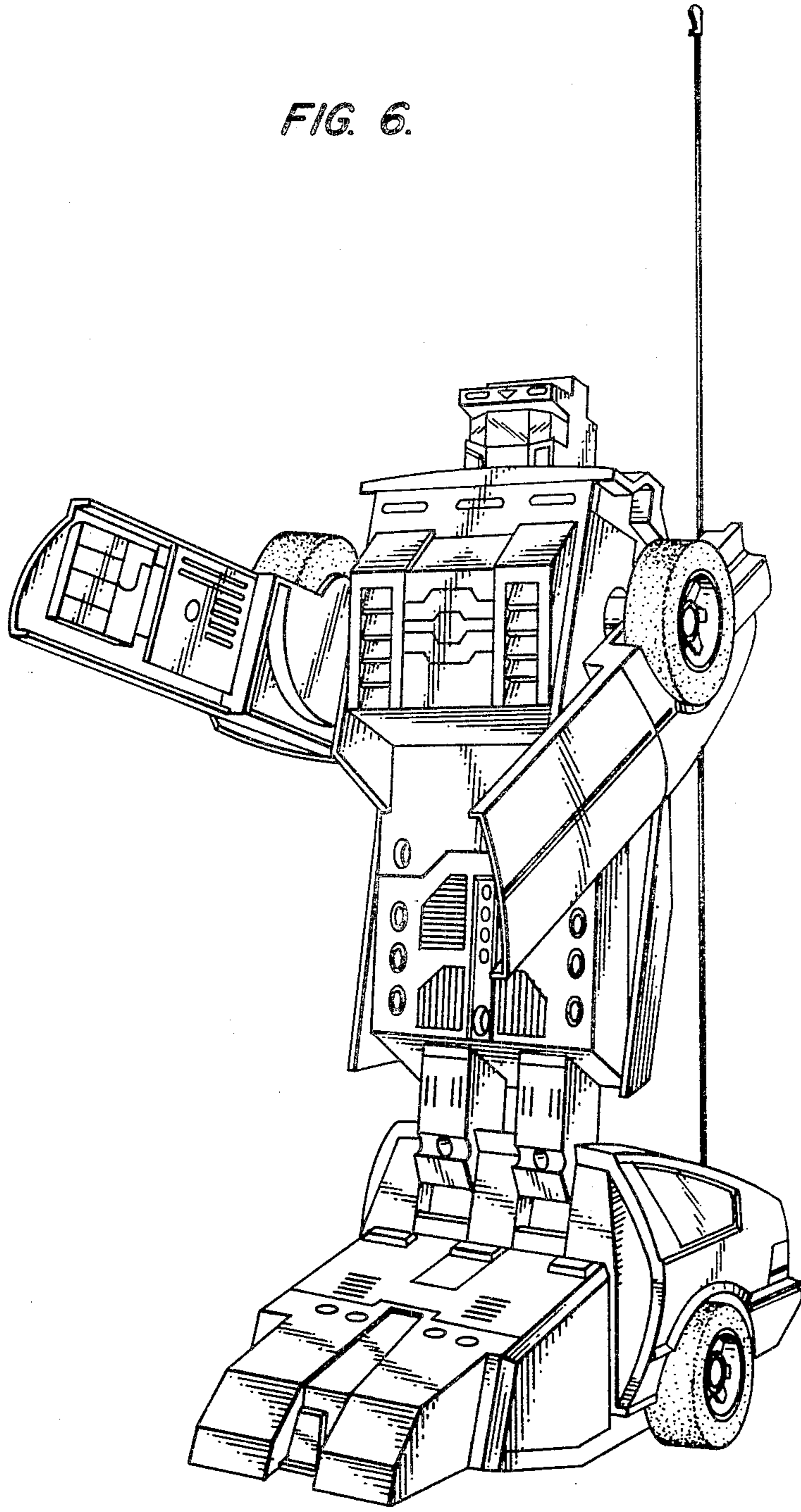


FIG. 6.



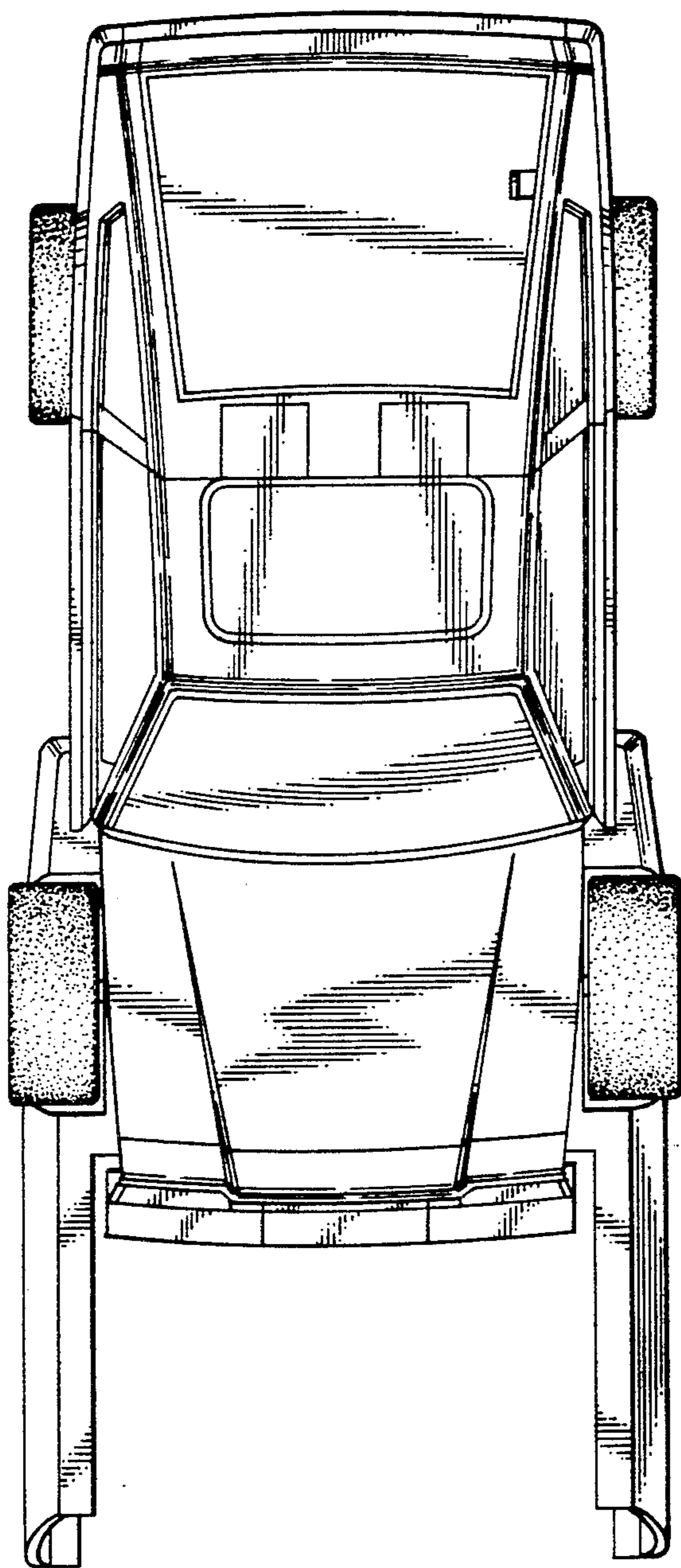


FIG. 7.

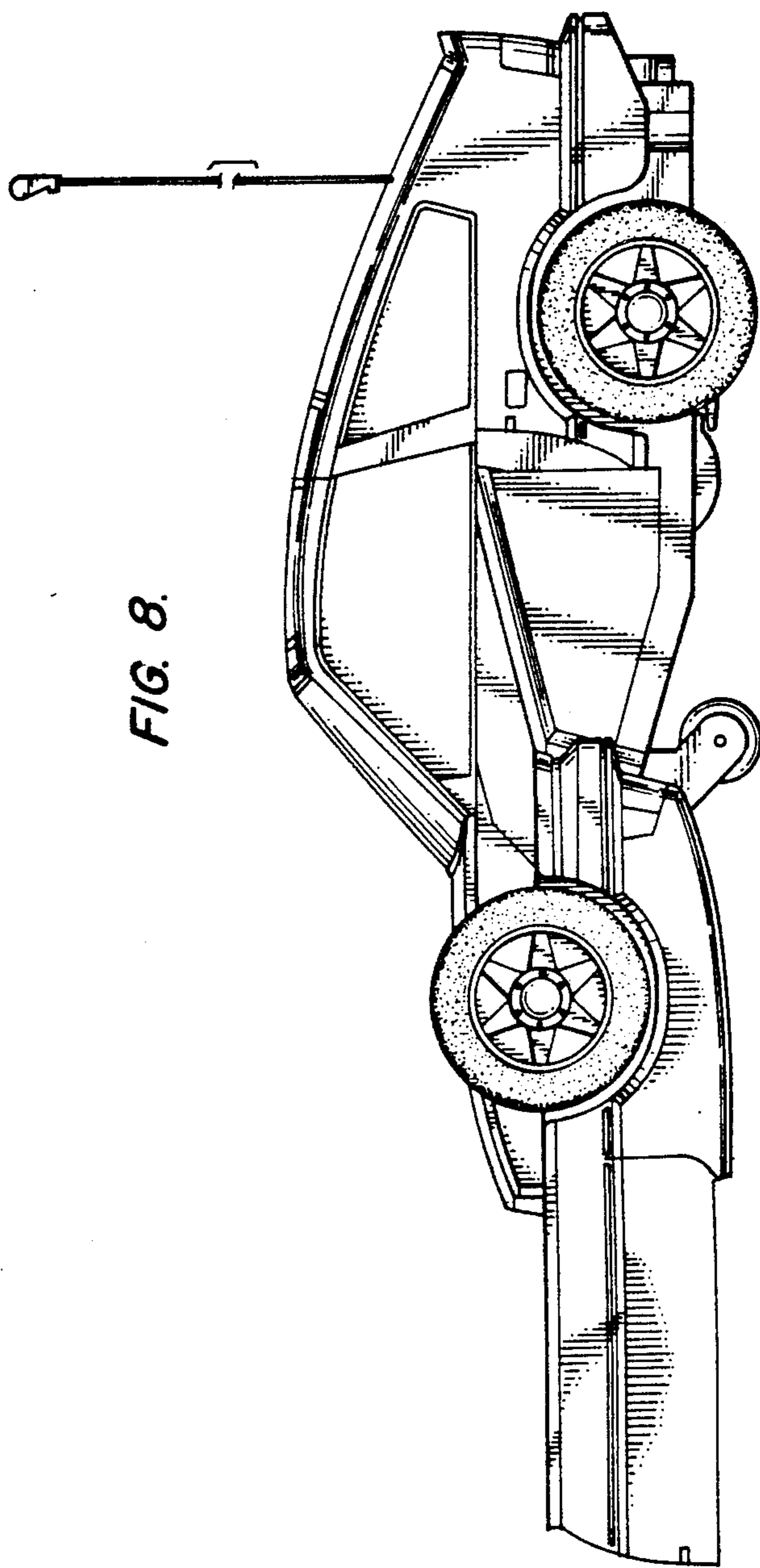


FIG. 8.