

[54] **PEN HOLDER**

[75] **Inventor: Richard G. Zucker, New York, N.Y.**

[73] **Assignee: Jonathan Bradley Pens, Inc., Long Island City, N.Y.**

[**] **Term: 14 Years**

[21] **Appl. No.: 665,649**

[22] **Filed: Oct. 29, 1984**

[52] **U.S. Cl. D19/84**

[58] **Field of Search D19/84, 75, 81, 96, D19/97; 206/214; 24/10 R**

[56] **References Cited**

U.S. PATENT DOCUMENTS

- D. 79,190 8/1929 Hanle D19/84
- D. 143,109 12/1945 Akers D26/51 X

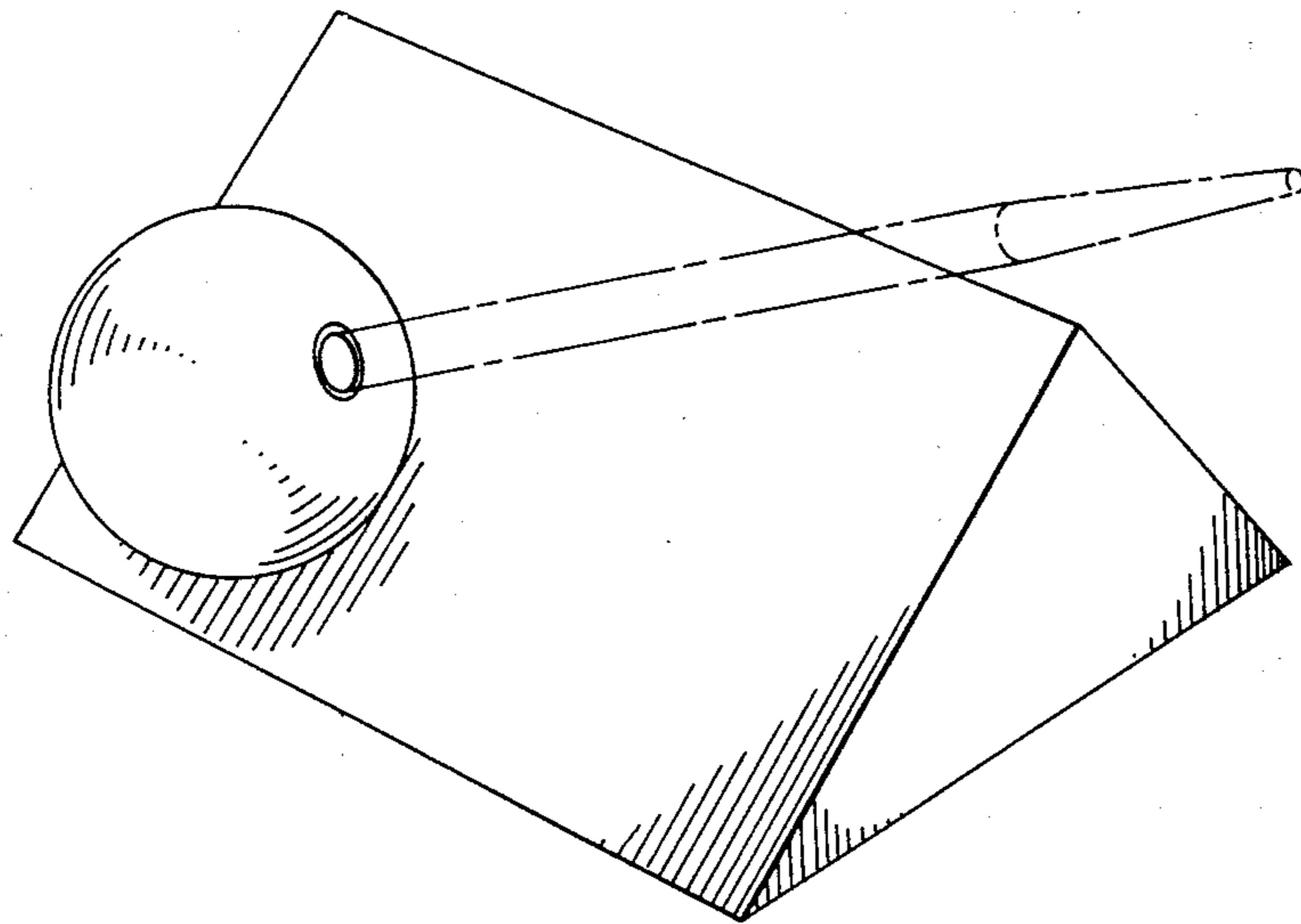
Primary Examiner—Bernard Ansher
Assistant Examiner—Terry Pfeffer
Attorney, Agent, or Firm—Salter & Michaelson

[57] **CLAIM**

The ornamental design for a pen holder, substantially as shown and described.

DESCRIPTION

FIG. 1 is a front perspective view of a pen holder showing my new design;
FIG. 2 is a right end view thereof;
FIG. 3 is a top plan view thereof;
FIG. 4 is a left end view thereof;
FIG. 5 is a rear elevational view thereof; and
FIG. 6 is a bottom plan view thereof.
The design is shown in full lines. The broken line showing is for informational purposes only.



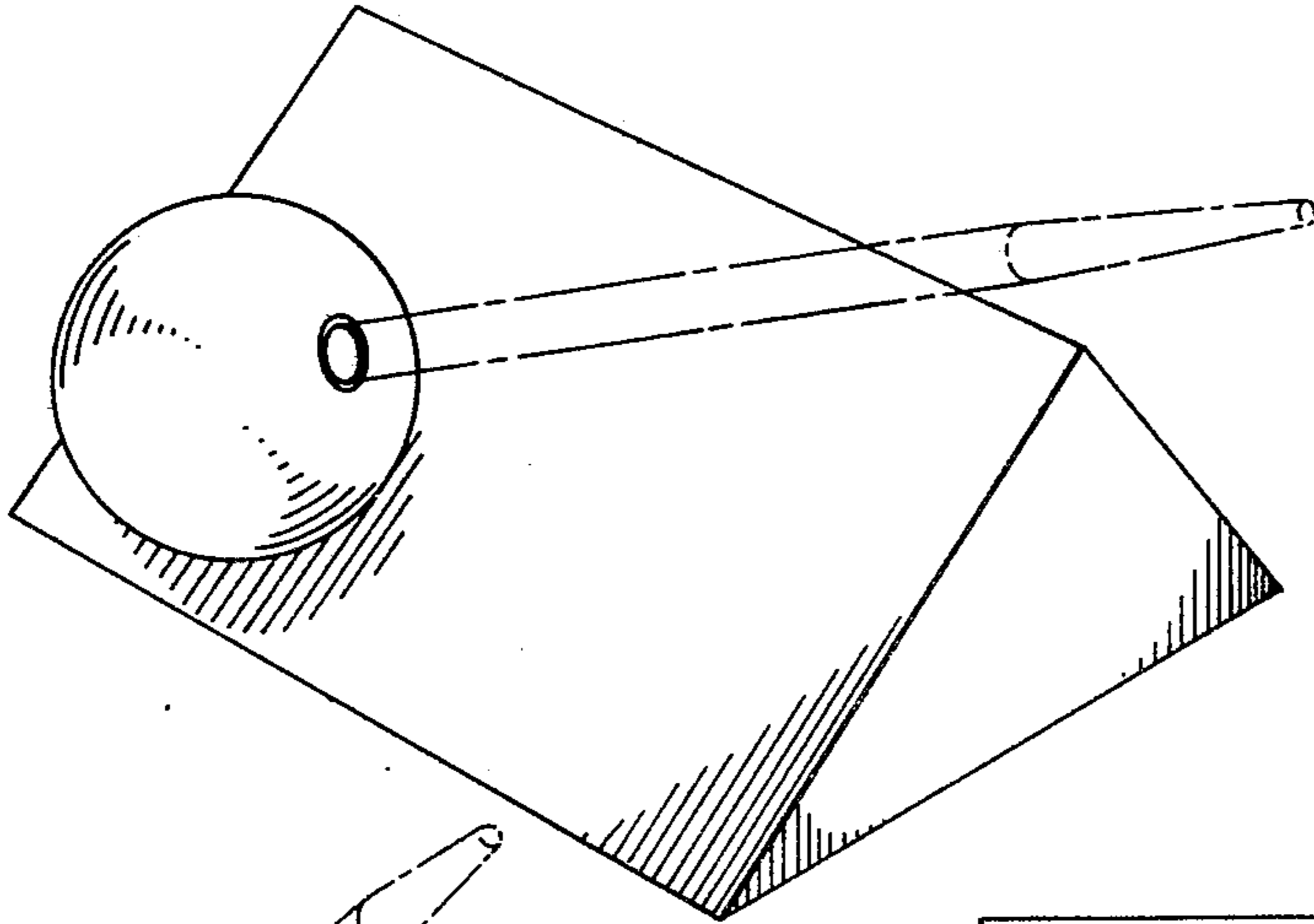


FIG. 1

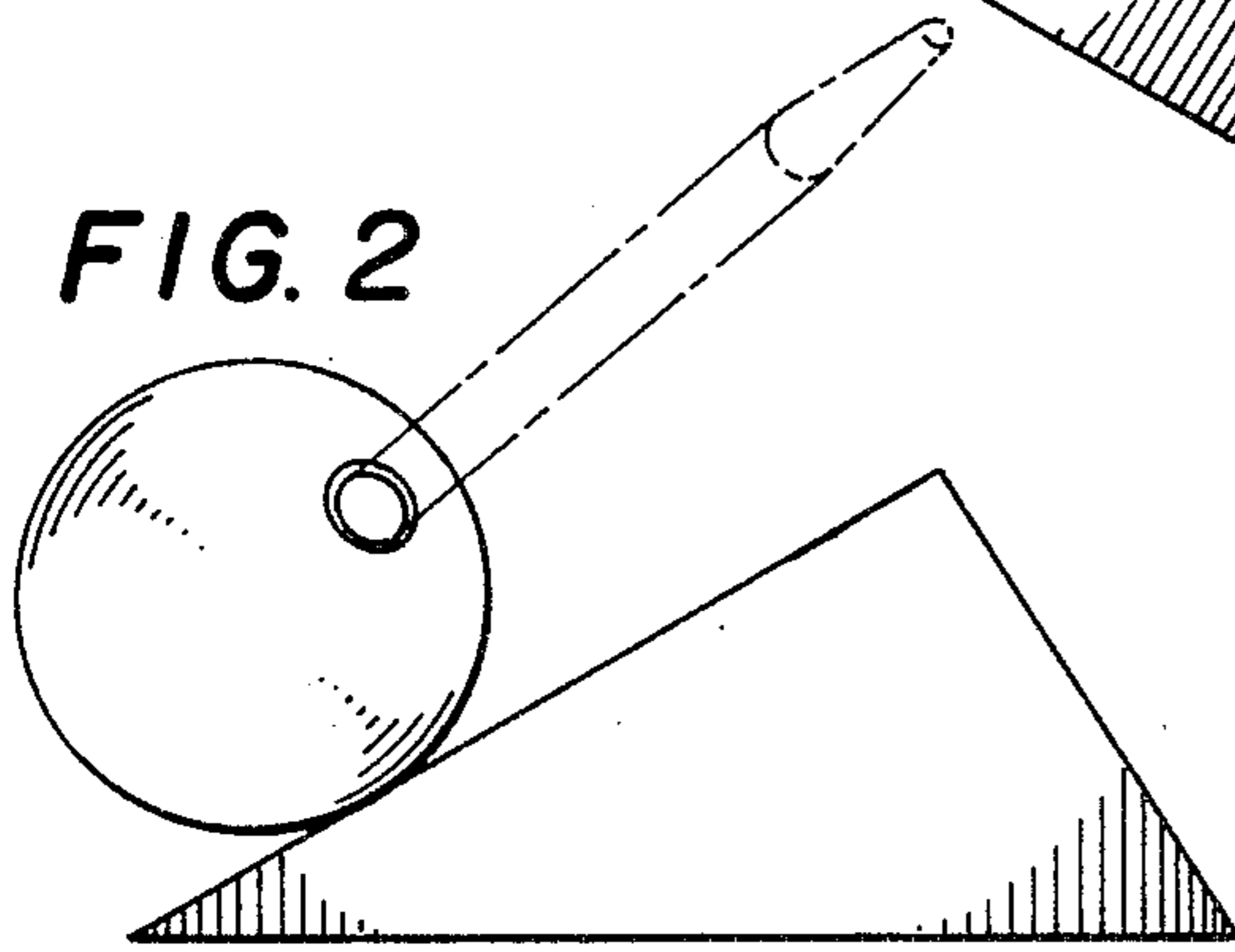


FIG. 2

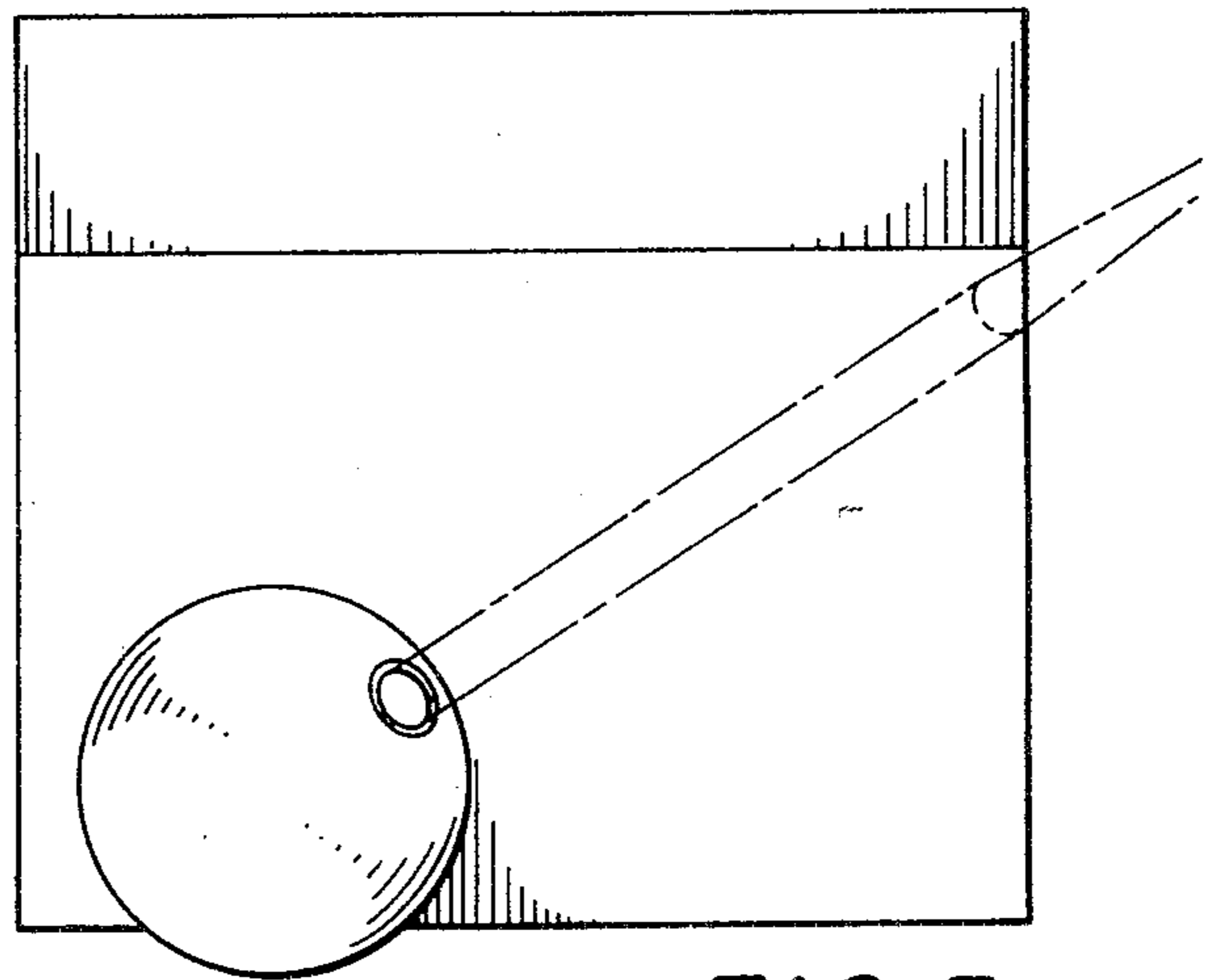


FIG. 3

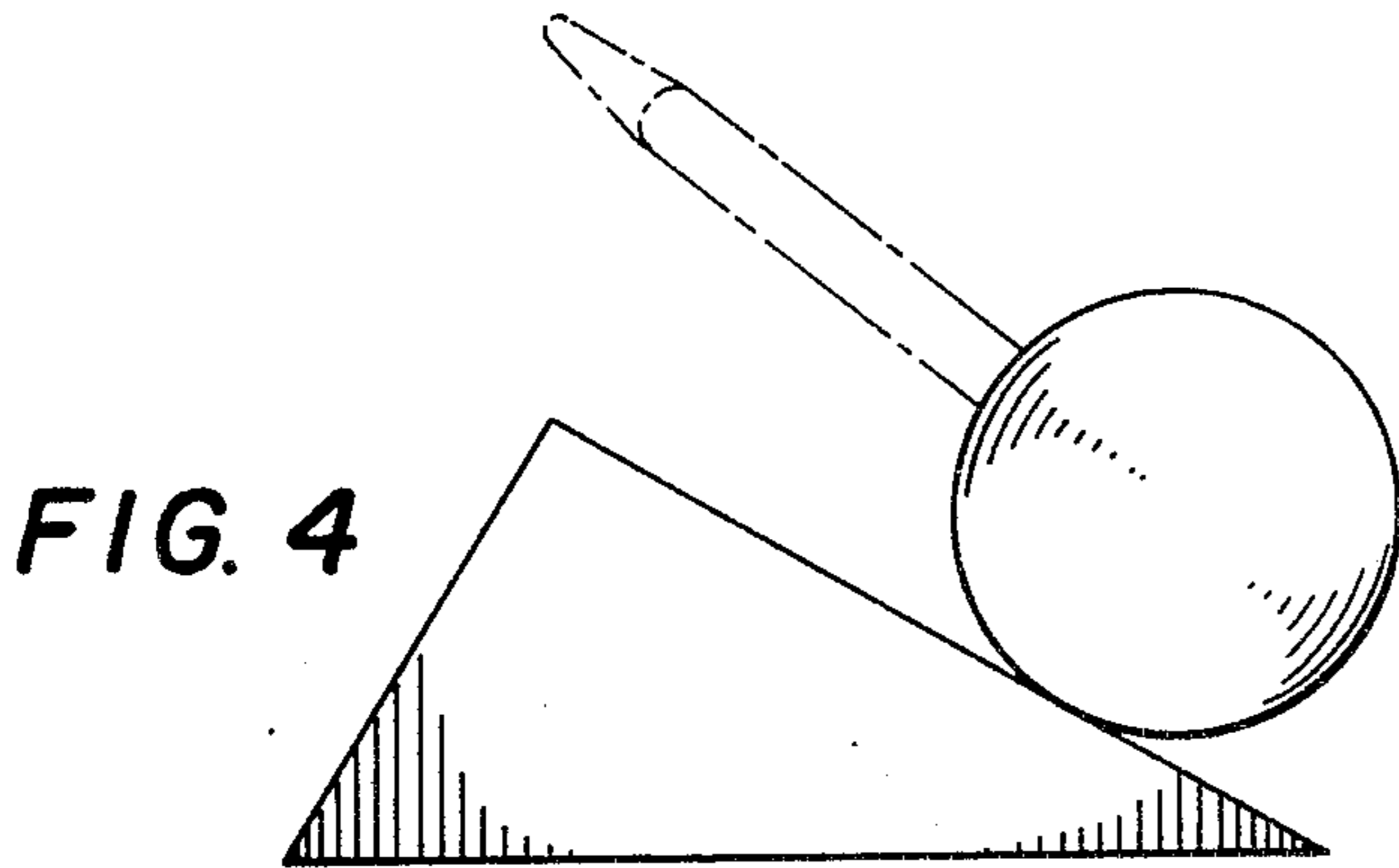


FIG. 4

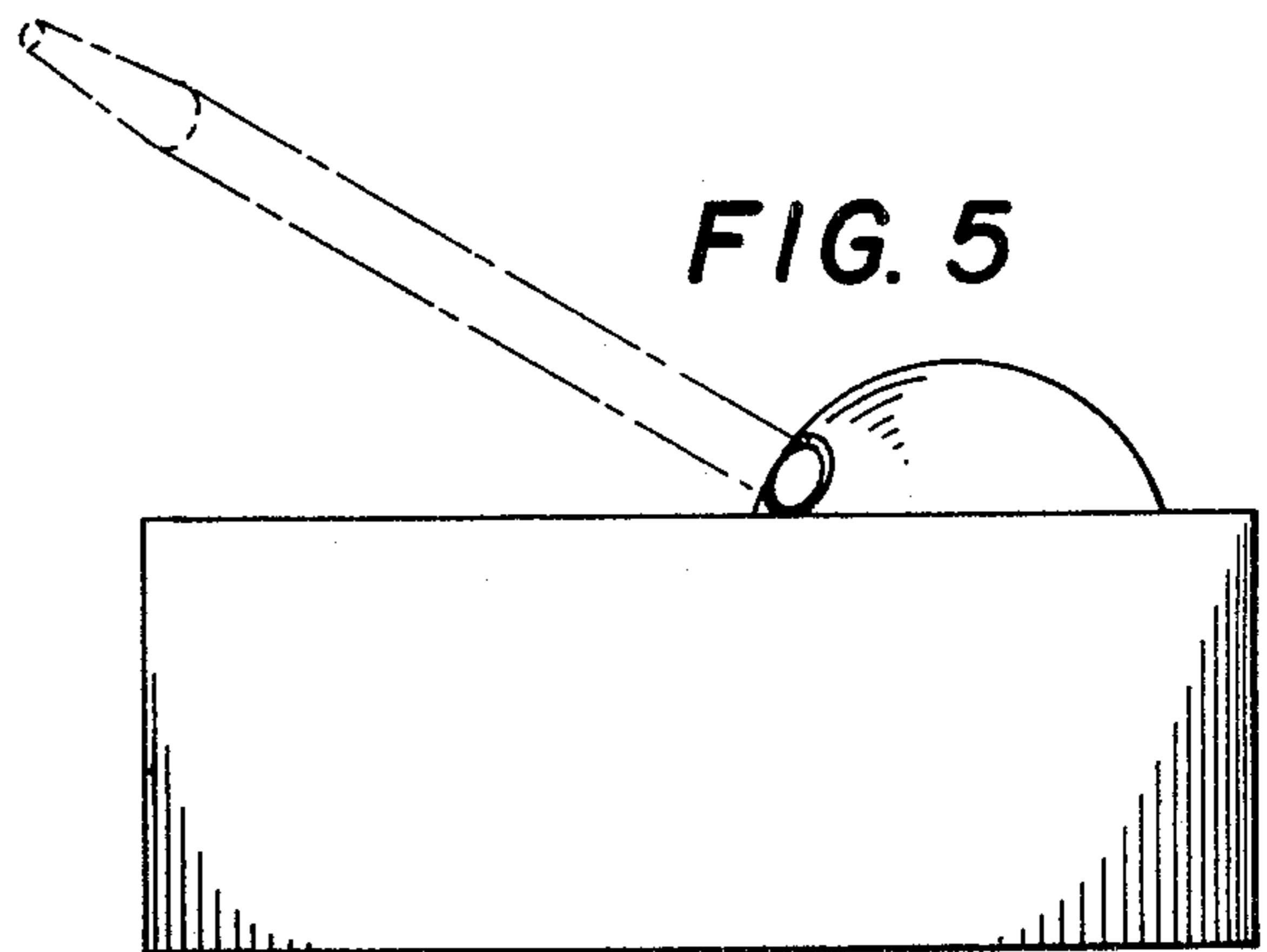


FIG. 5

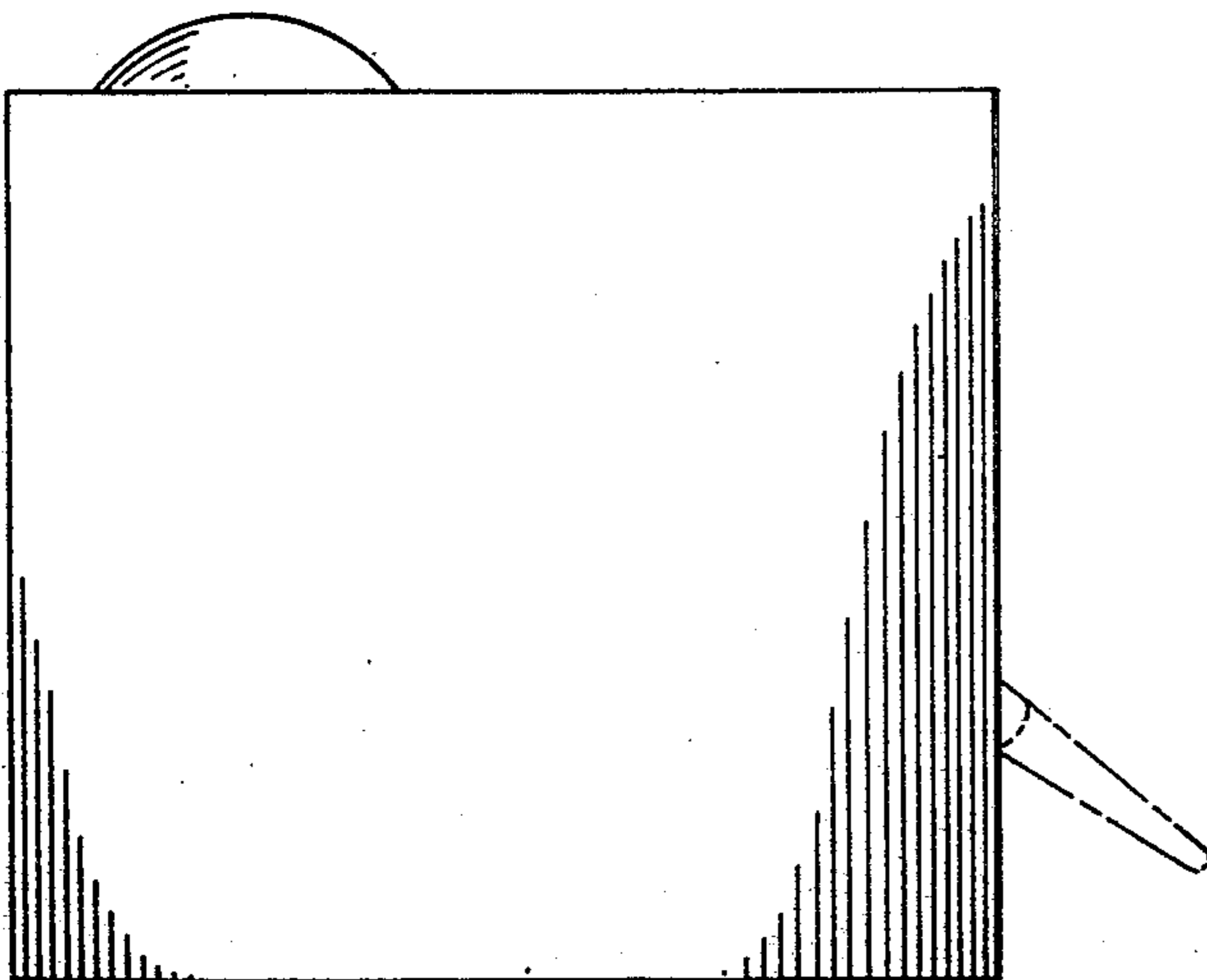


FIG. 6