

[54] DUAL COOLING TANK FOR BEVERAGES

[76] Inventor: Johannes A. Ummels, Kerkstraat 13, Westerhoven, Netherlands, NL-5563 AW

[**] Term: 14 Years

[21] Appl. No.: 678,800

[22] Filed: Dec. 5, 1984

[30] Foreign Application Priority Data

Jun. 8, 1984 [XB] Benelux 59067-00

[52] U.S. Cl. D15/79

[58] Field of Search D15/79, 81, 84-85, D15/87; 312/214, 236; 62/441, 37, 165, 168, 371-372, 384-385, 388, 529-530; D21/108; D25/80, 90, 91

[56] References Cited

U.S. PATENT DOCUMENTS

- D. 178,518 8/1956 Hoyle D15/81
- D. 181,940 1/1958 Moulthrop D15/79
- D. 182,768 5/1958 Knibb D15/82
- D. 235,808 7/1975 Cann D15/81

- 2,739,455 3/1956 Idzi 62/441
- 2,756,570 7/1956 Gale 62/441
- 2,974,499 3/1961 Sinatra et al. 62/388
- 3,585,813 6/1971 Hansen et al. 62/384

FOREIGN PATENT DOCUMENTS

- 223919 7/1957 Australia 62/384

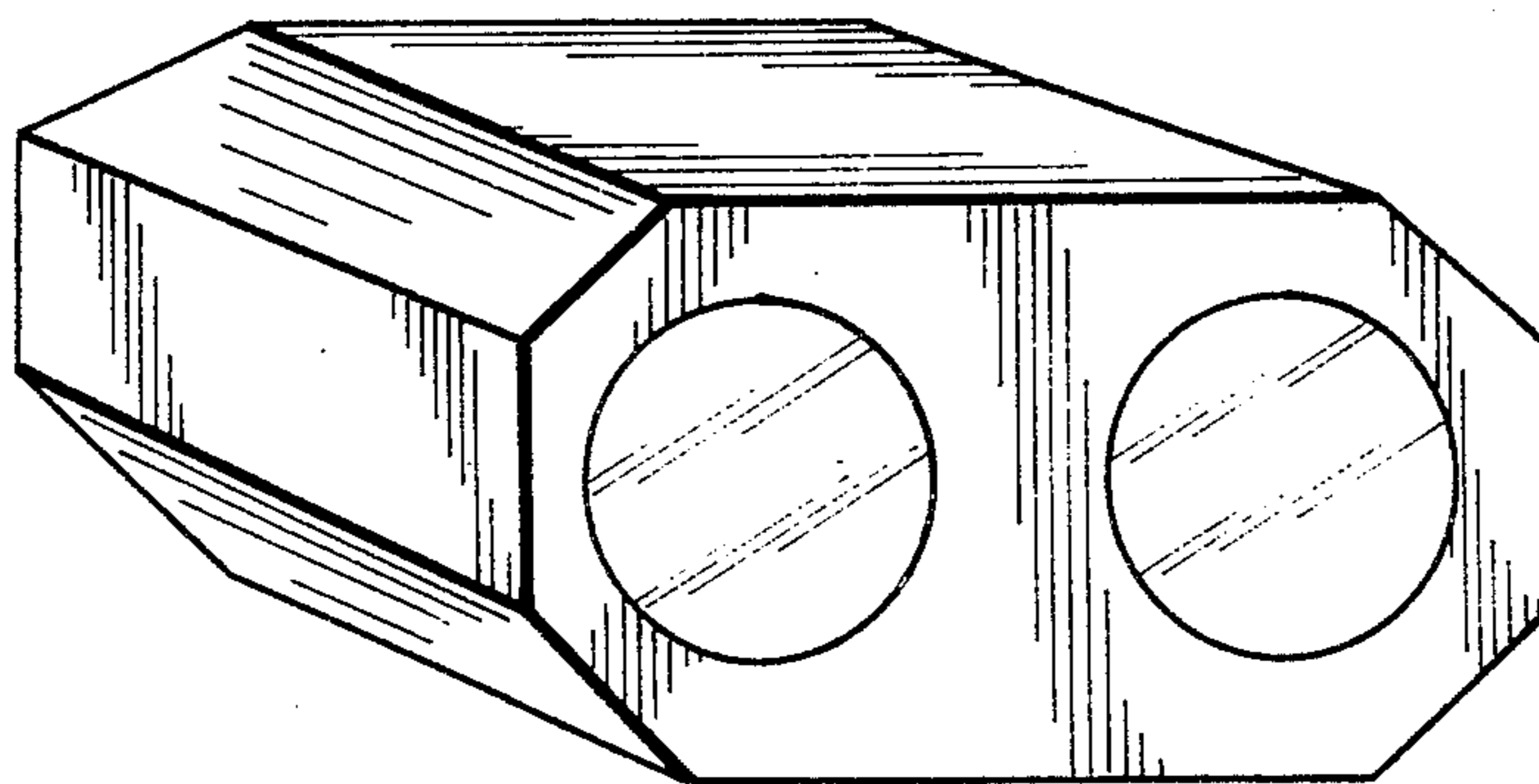
Primary Examiner—Wallace R. Burke
Assistant Examiner—Ruth E. Takemoto
Attorney, Agent, or Firm—Cushman, Darby & Cushman

[57] CLAIM

The ornamental design for a dual cooling tank for beverages, as shown and described.

DESCRIPTION

FIG. 1 is a left side elevational view of a housing for a dual cooling tank for beverages showing my new design, the right side being identical; FIG. 2 is a front elevational view thereof; FIG. 3 is a rear end elevational view thereof; FIG. 4 is a top plan view thereof, the bottom being identical, and FIG. 5 is a perspective view thereof.



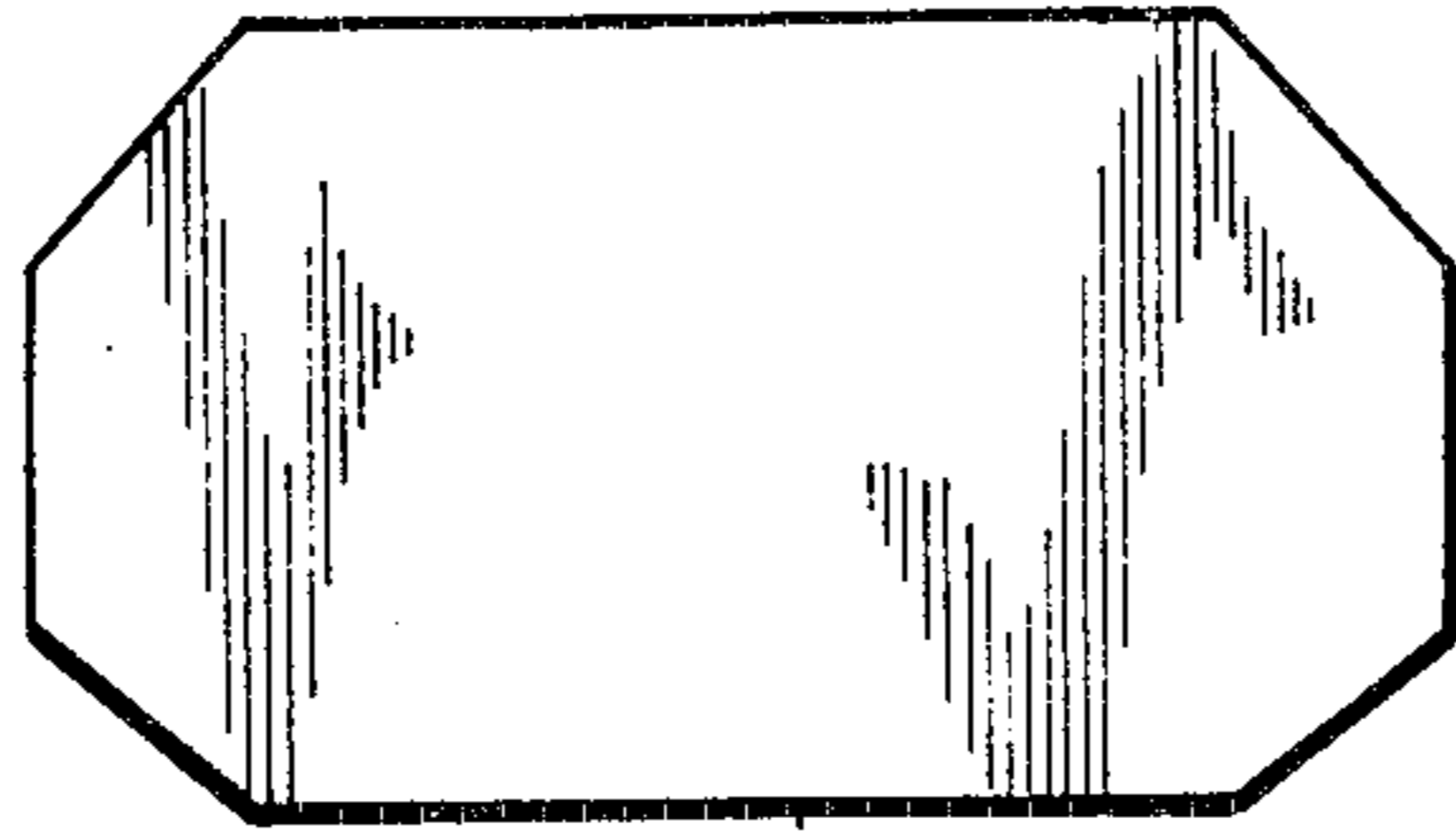


Fig. 3

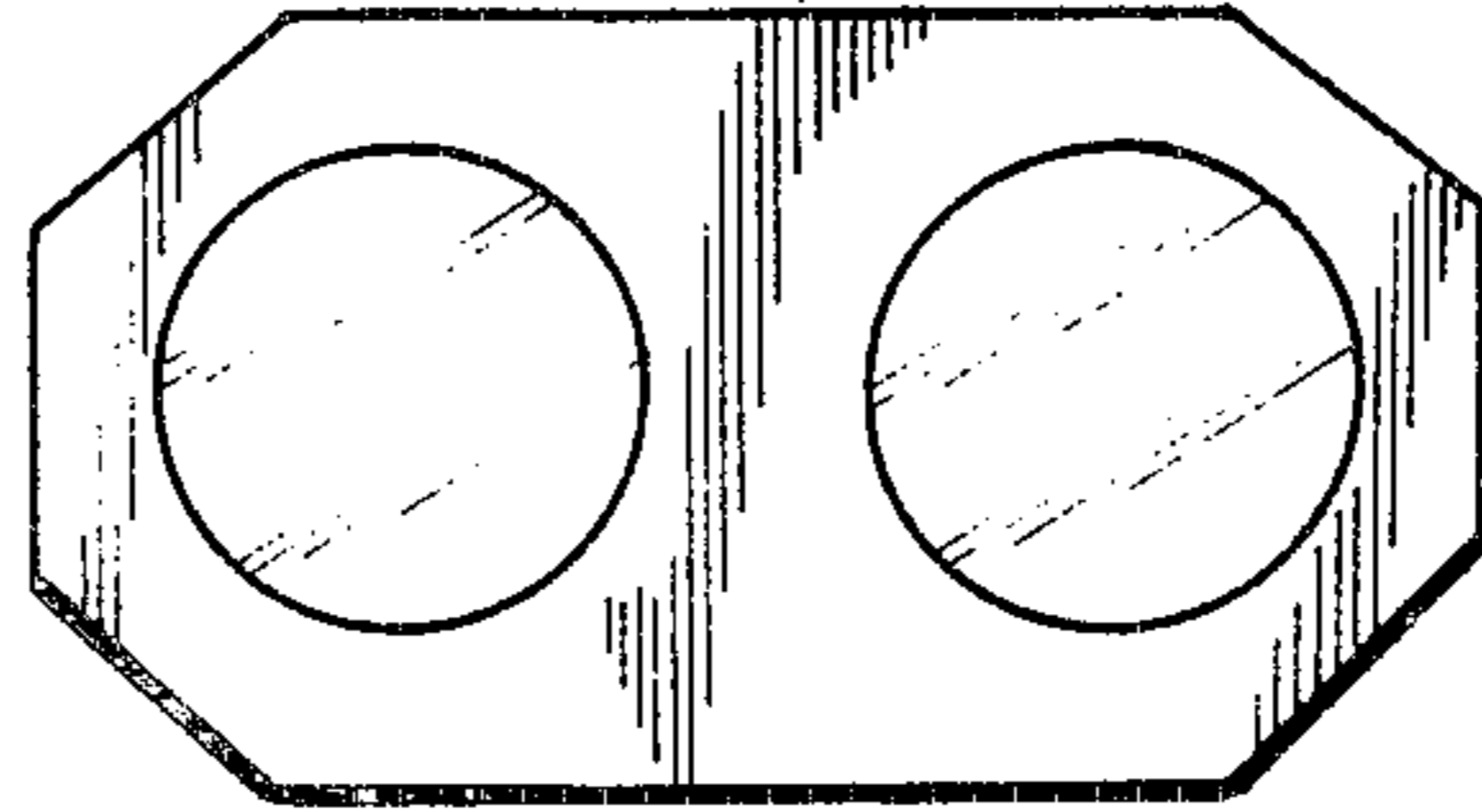


Fig. 2

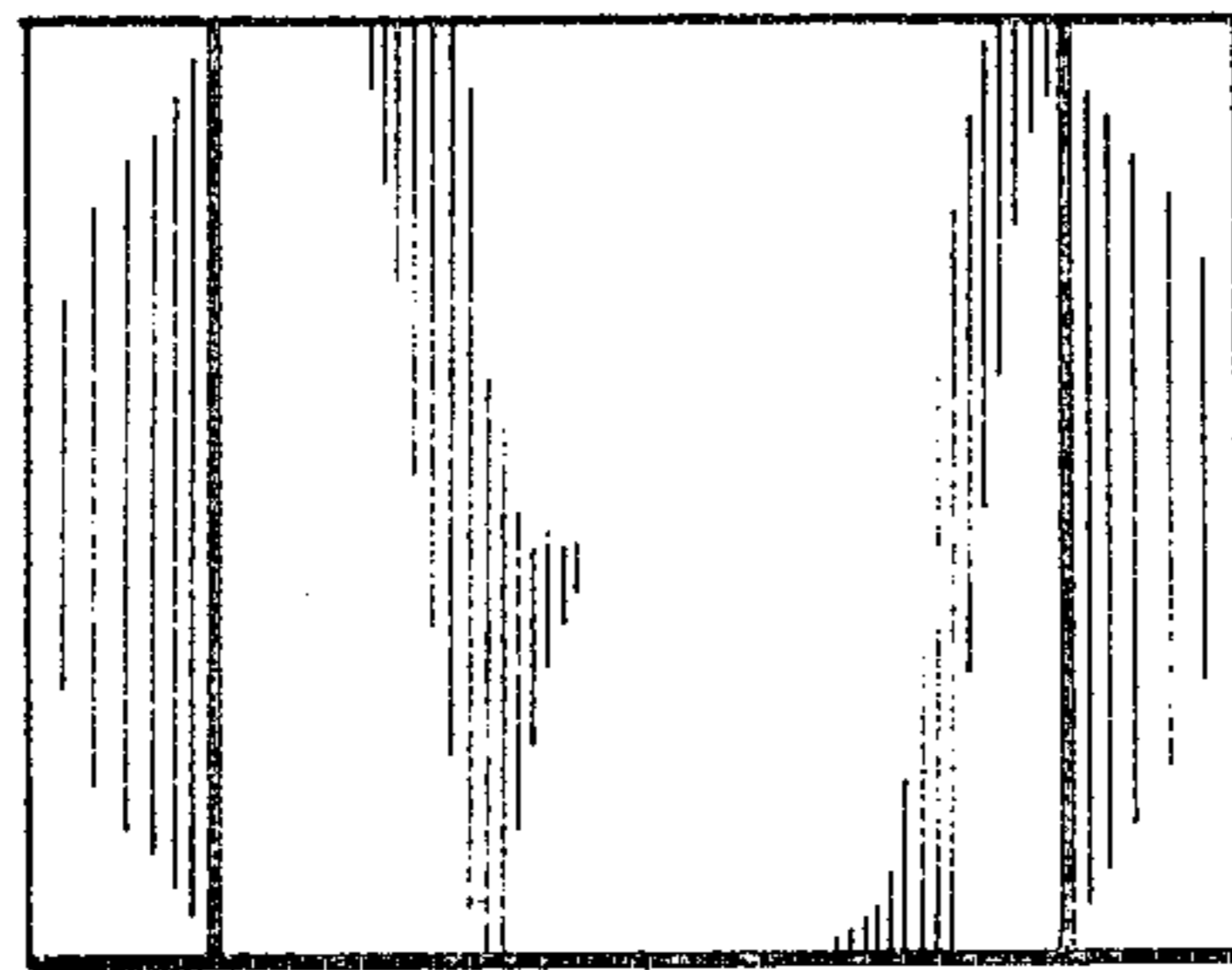


Fig. 4

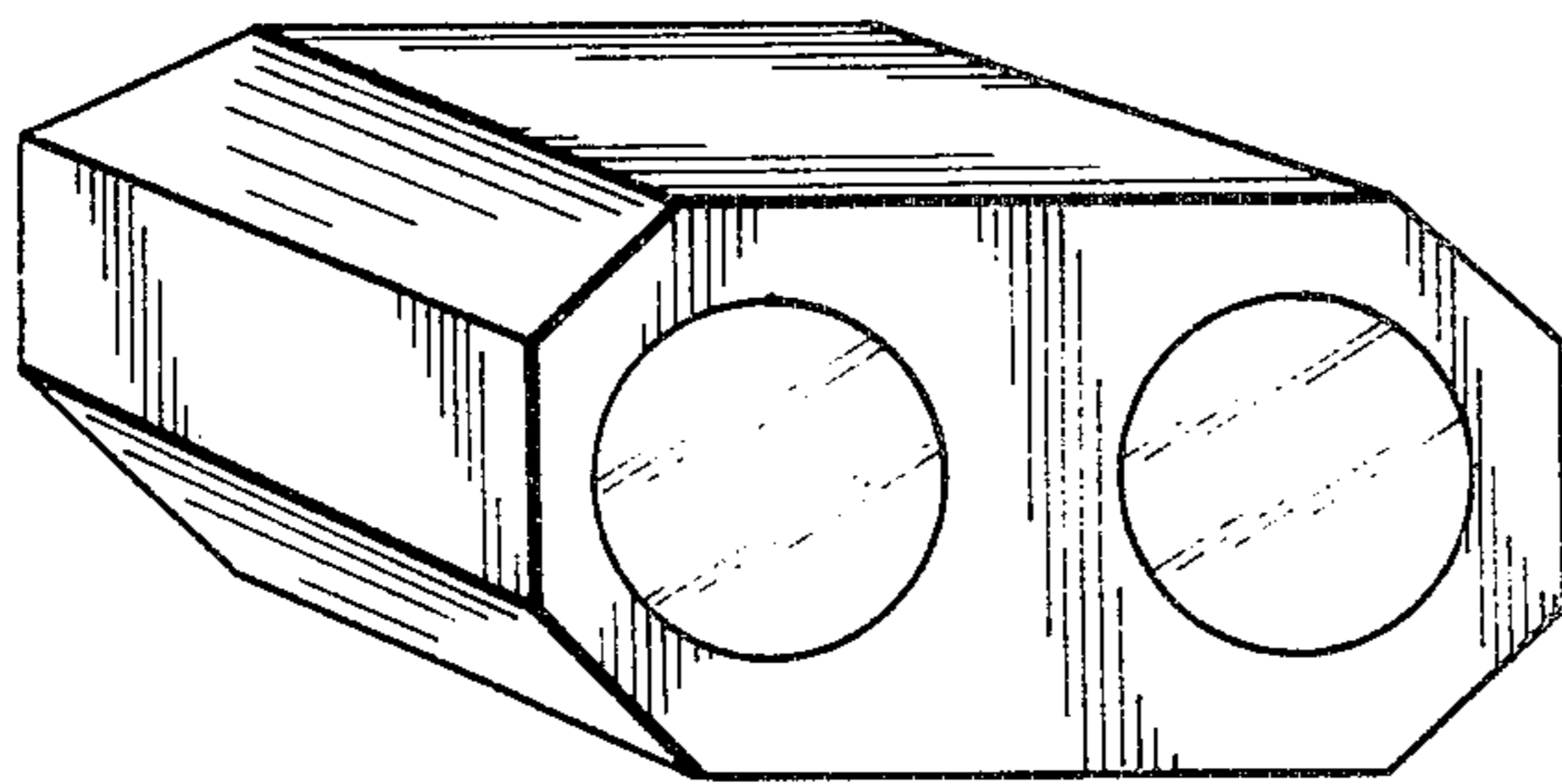


Fig. 5

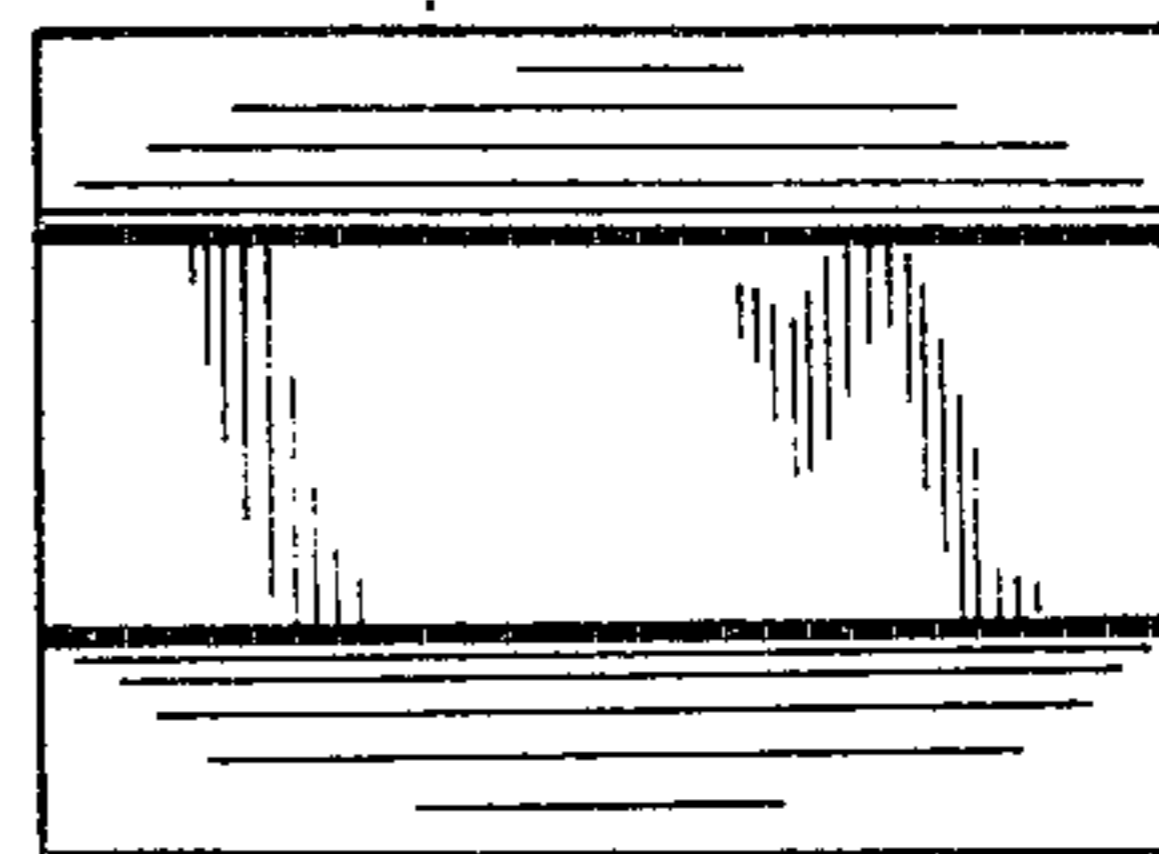


Fig. 1