

[54] SEWING MACHINE

[75] Inventor: Koji Uchida, Hachioji, Japan

[73] Assignee: Janome Sewing Machine Co. Ltd., Tokyo, Japan

[\*\*] Term: 14 Years

[21] Appl. No.: 579,858

[22] Filed: Feb. 13, 1984

[52] U.S. Cl. .... D15/69

[58] Field of Search ..... D15/70, 69; 112/63, 112/258-261

[56] References Cited

U.S. PATENT DOCUMENTS

D. 253,347	11/1979	Felix	.....	D15/70
D. 280,730	9/1985	Uchida	.....	D15/69
D. 280,826	10/1985	Kuroki	.....	D15/69
D. 281,429	11/1985	Kuroki	.....	D15/69

3,858,954	1/1975	Hetterich	.....	112/258 X
4,040,369	8/1977	Kaito	.....	112/258
4,044,700	8/1977	Aeschliman	.....	112/258 X
4,099,474	7/1978	Hamlett et al.	.....	112/258

Primary Examiner—Bernard Ansher  
Assistant Examiner—Linda Titolo  
Attorney, Agent, or Firm—Michael J. Striker

[57] CLAIM

The ornamental design for a sewing machine, substantially as shown and described.

DESCRIPTION

FIG. 1 is a front elevational view of a sewing machine, showing my new design;  
FIG. 2 is a rear elevational view thereof;  
FIG. 3 is a left side elevational view thereof;  
FIG. 4 is a right side elevational view thereof;  
FIG. 5 is a top plan view thereof;  
FIG. 6 is a bottom plan view thereof; and  
FIG. 7 is a front perspective view thereof.

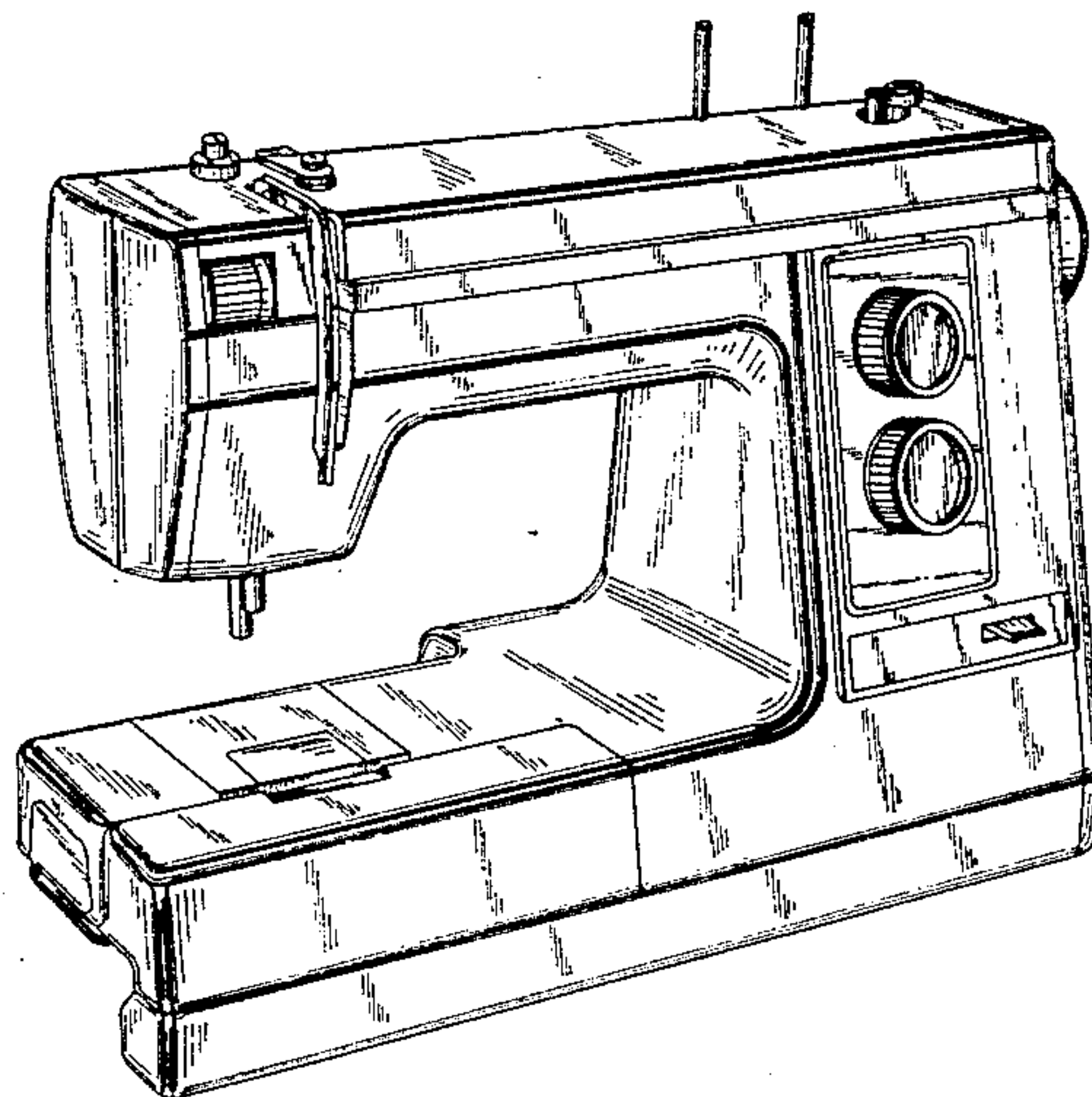


FIG. 1

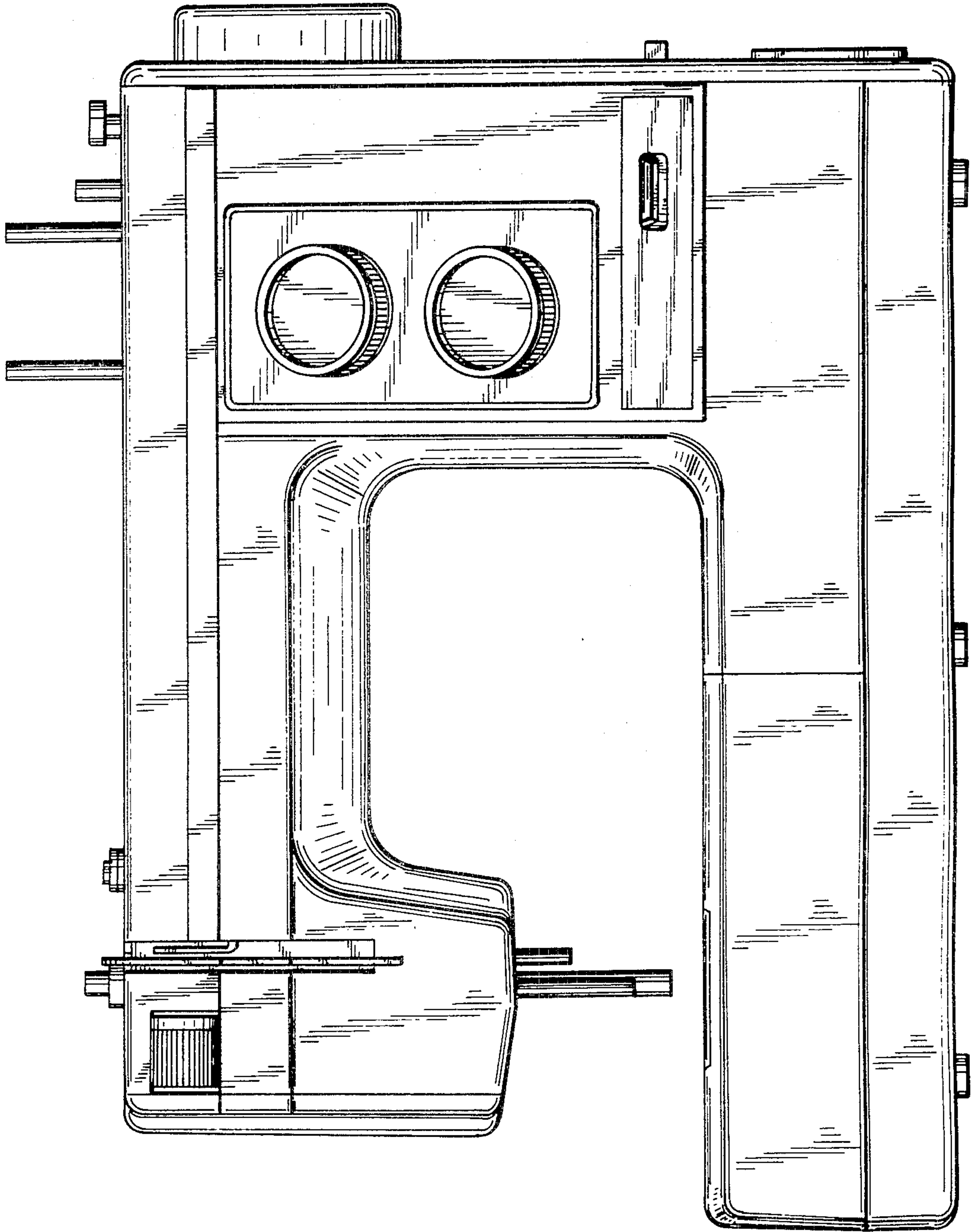


FIG. 2

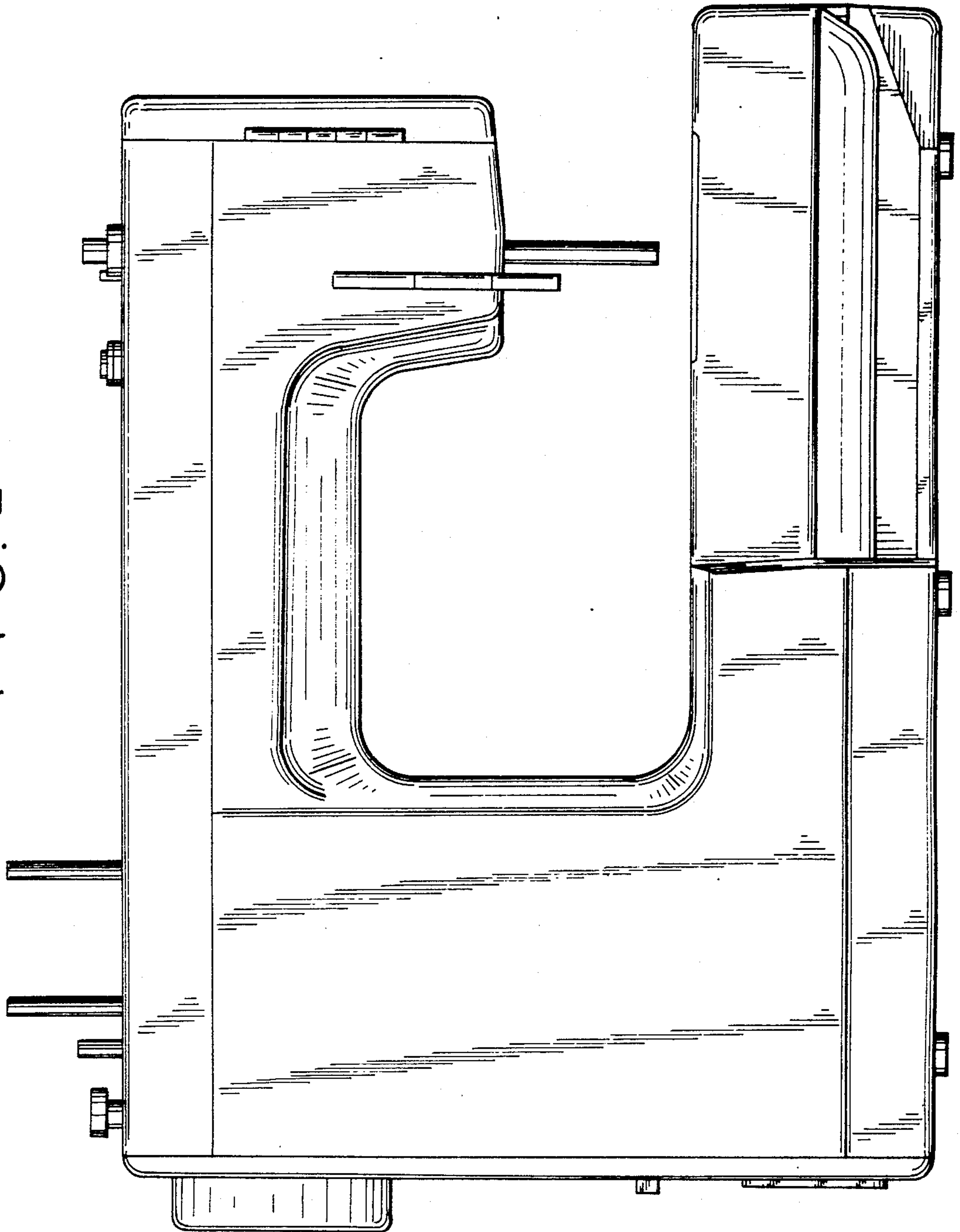


FIG. 3

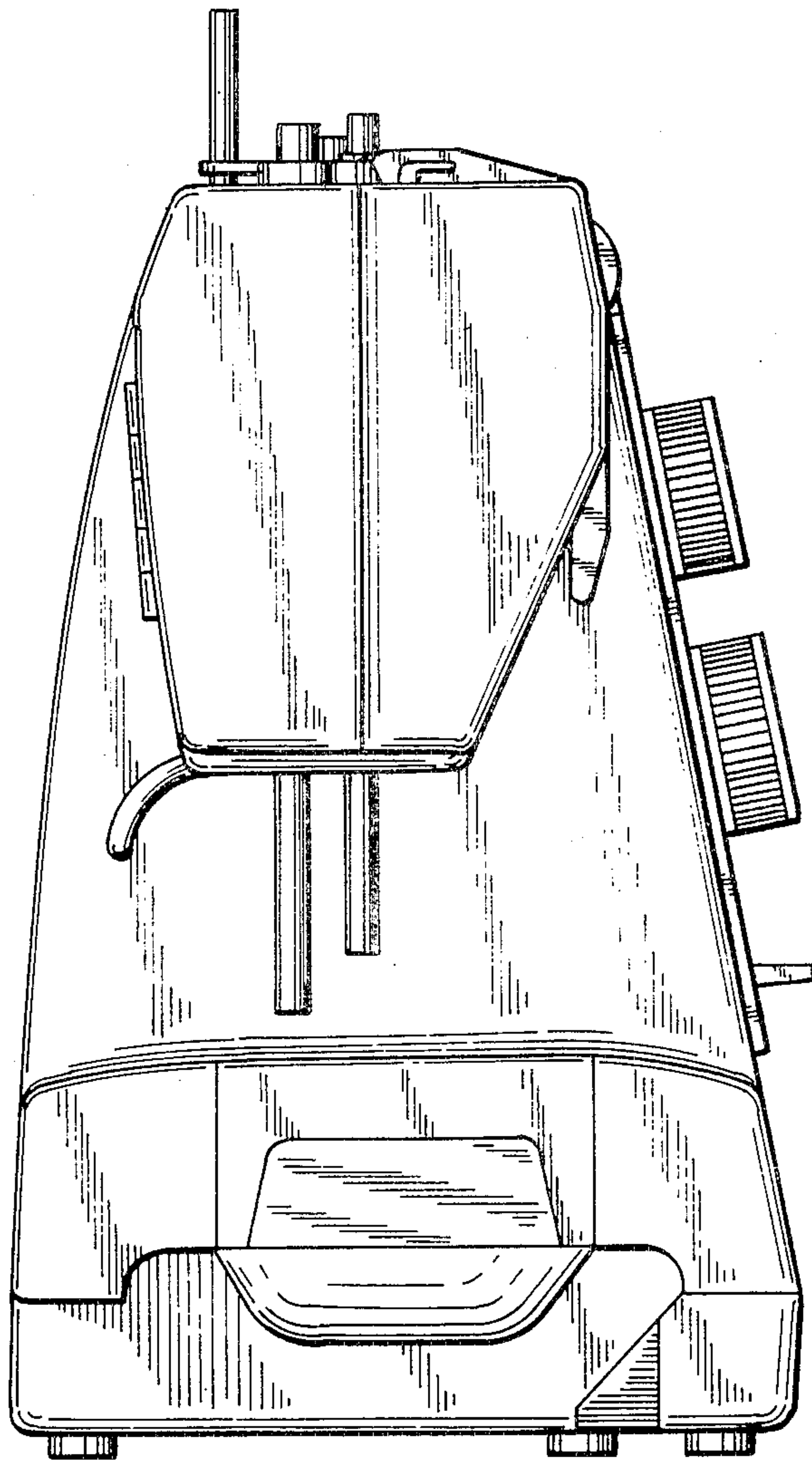




FIG. 4

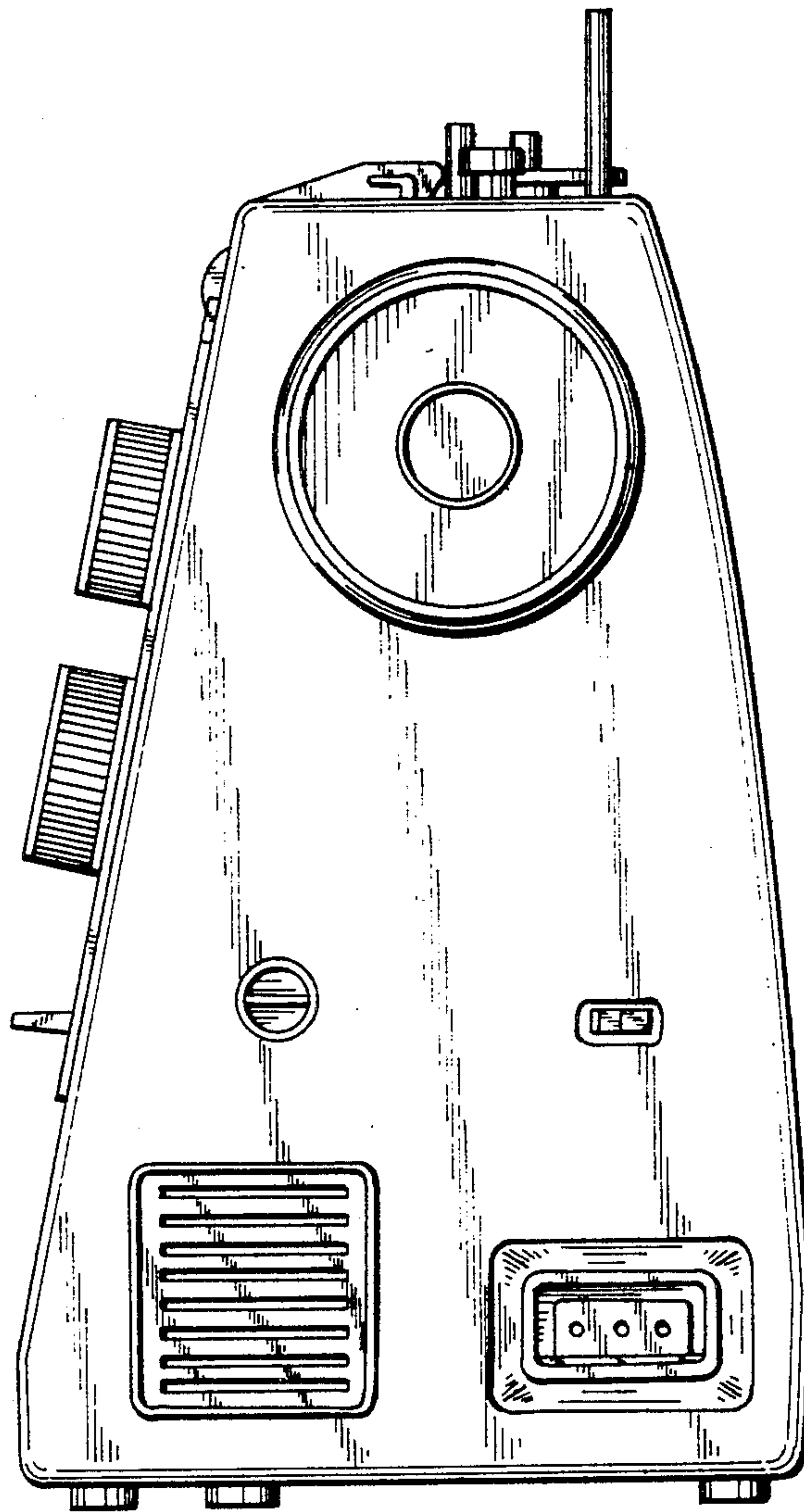


FIG. 5

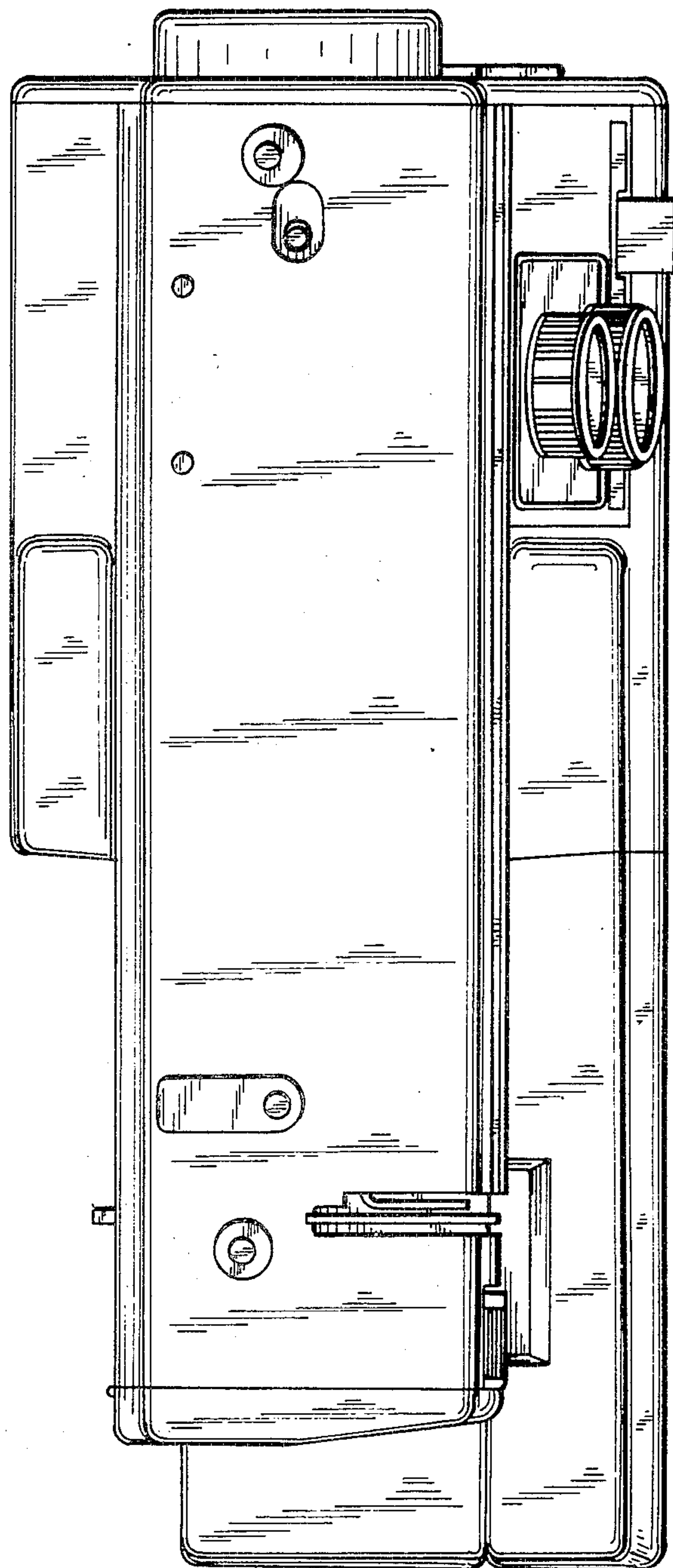
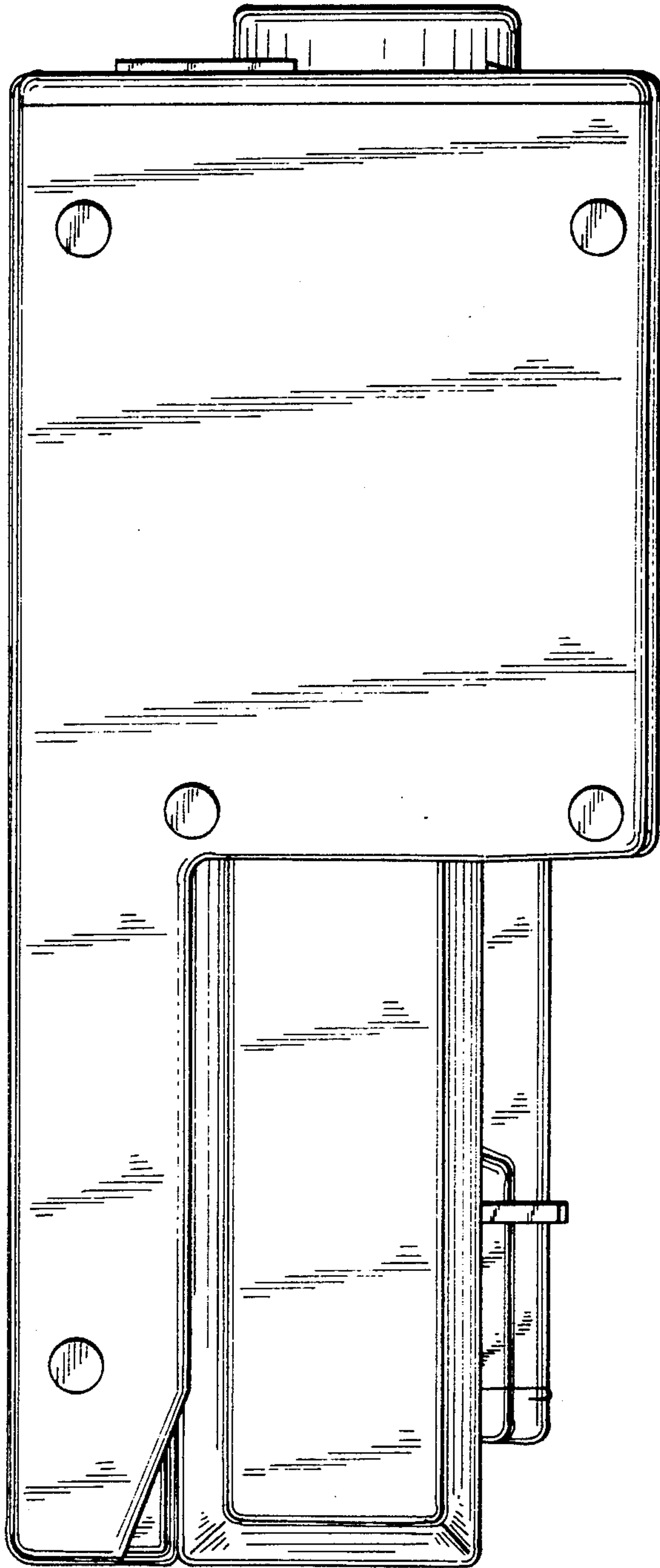


FIG. 6



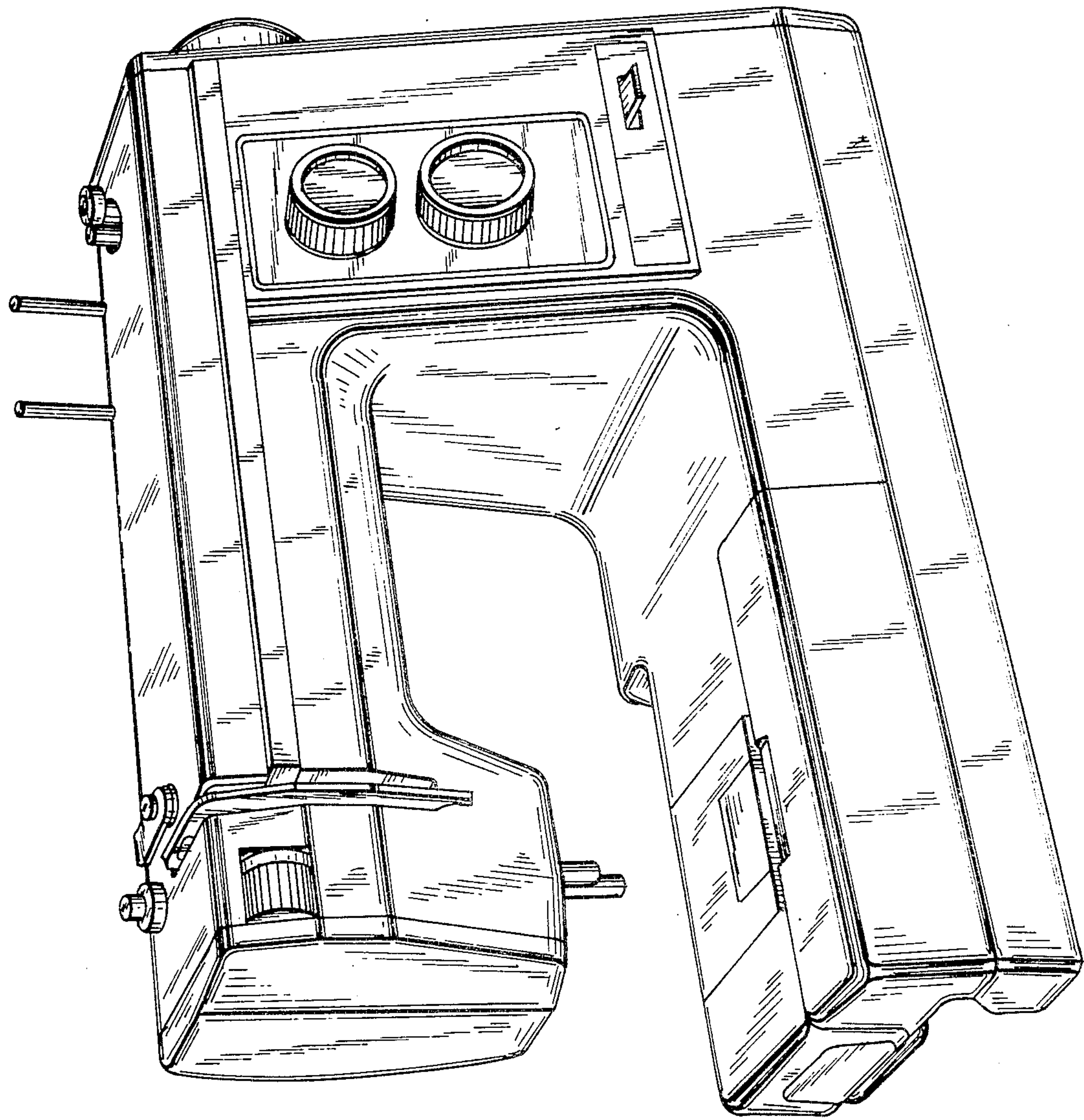


FIG. 7