

[54] **DRAFT ARM RETAINER FOR TRACTOR HITCHES**

[76] **Inventor: George Hamatani, Rte. 1, Box 400, Clarksburg, Calif. 95612**

[**] **Term: 14 Years**

[21] **Appl. No.: 596,996**

[22] **Filed: Apr. 5, 1984**

[52] **U.S. Cl. D15/28**

[58] **Field of Search D15/10, 23, 26, 28, D15/33; 280/456 A, 460 A, 461 A; 172/439, 450**

[56] **References Cited**

U.S. PATENT DOCUMENTS

3,357,720	12/1967	Kulhavy et al.	172/450
3,643,976	2/1972	Haupt et al.	172/439
3,853,335	10/1974	Heckenkamp	172/439

4,203,613	5/1980	Kunze	172/450
4,265,464	5/1981	Lange	172/450
4,268,057	5/1981	Engelmann et al.	172/450

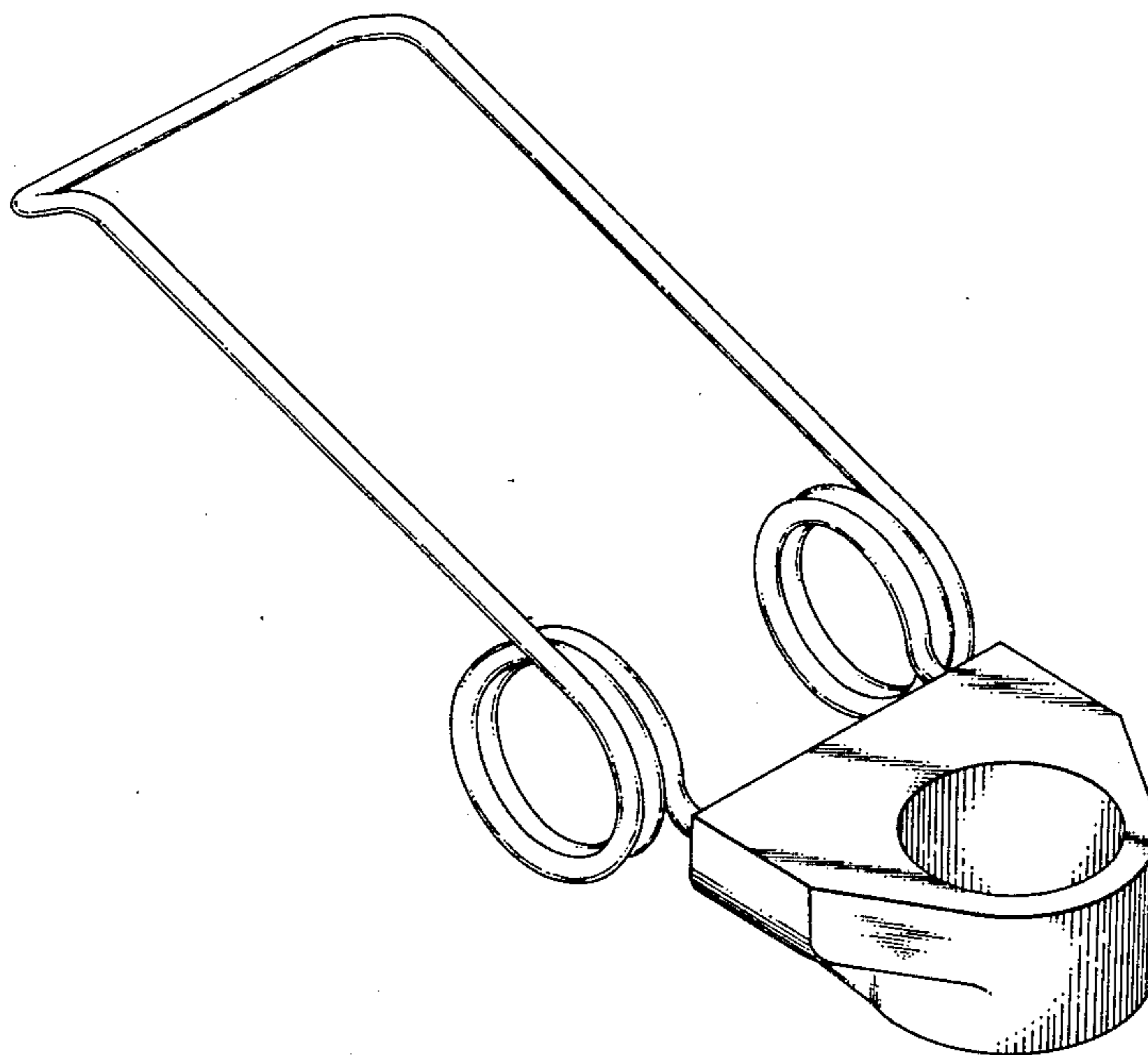
Primary Examiner—Wallace R. Burke
Assistant Examiner—Suzanne N. Gitlin
Attorney, Agent, or Firm—Lothrop & West

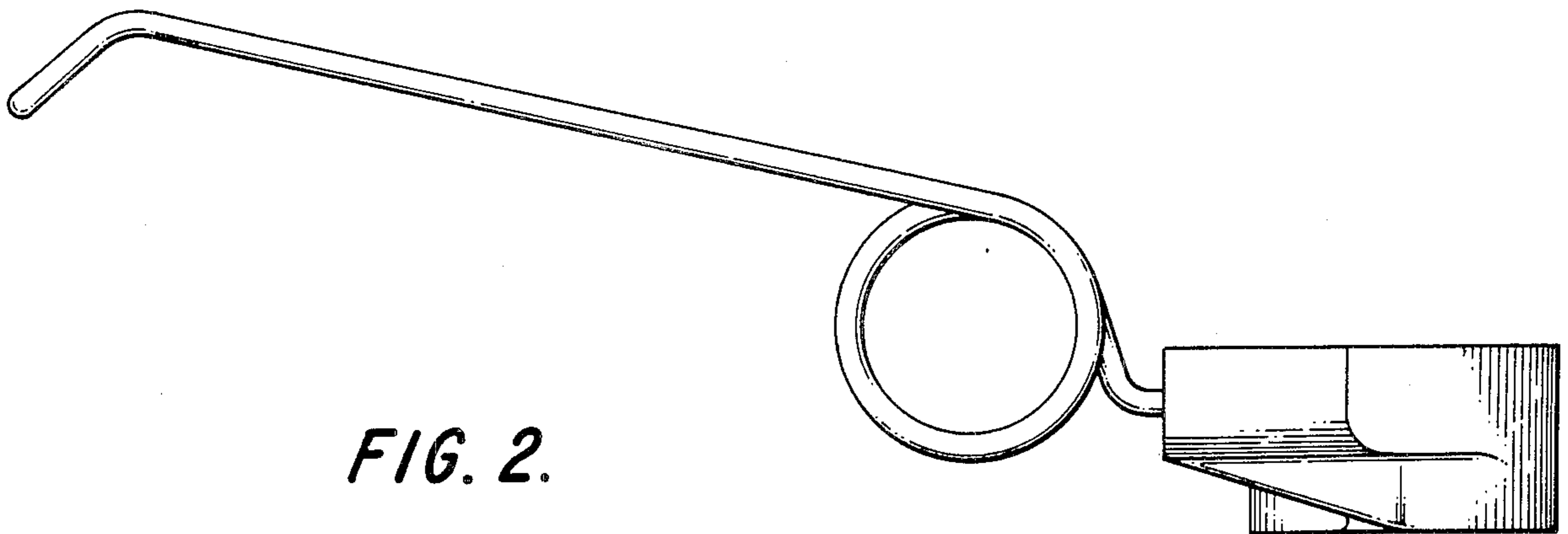
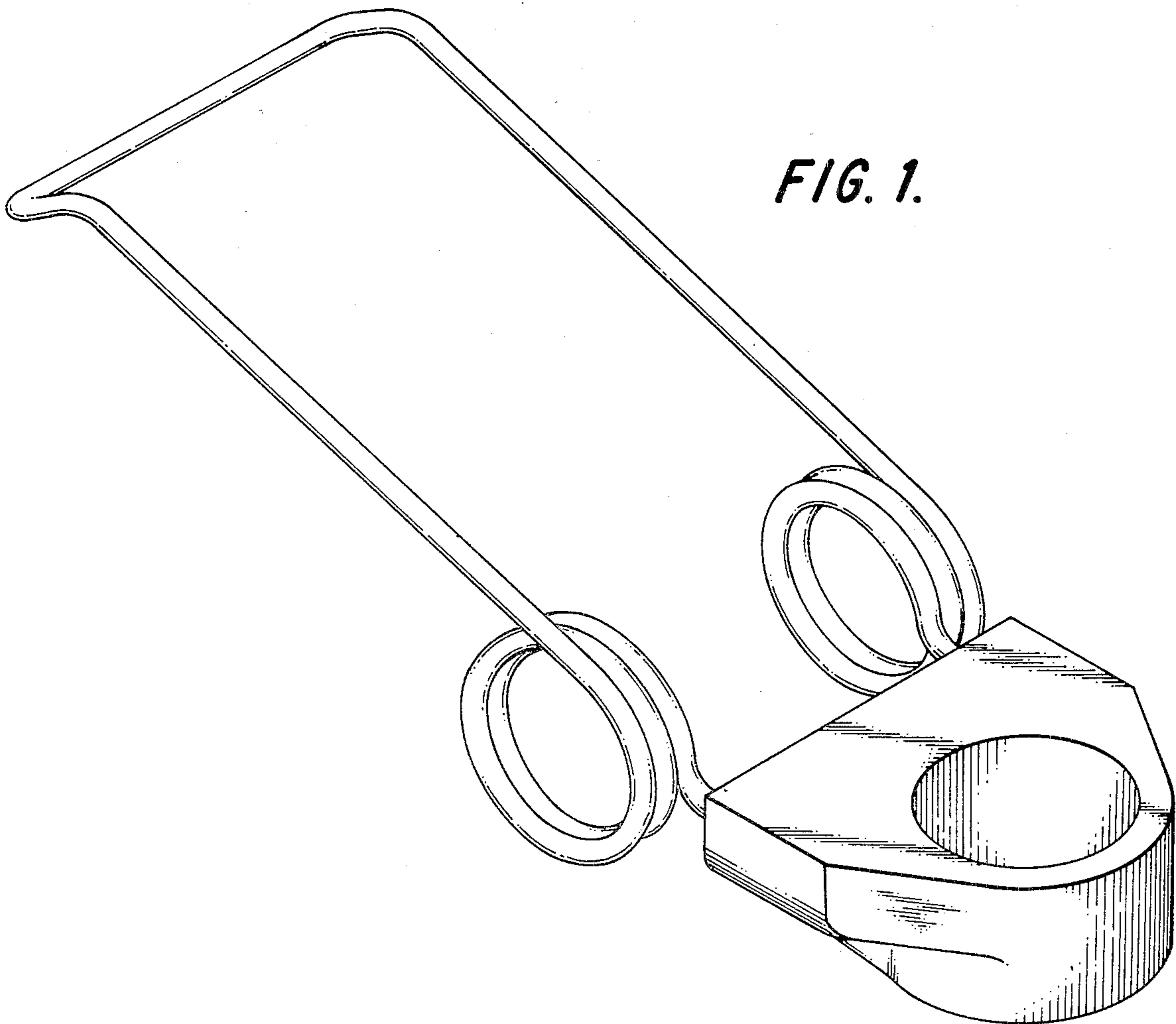
[57] **CLAIM**

The ornamental design for a draft arm retainer for tractor hitches, as shown.

DESCRIPTION

FIG. 1 is a perspective view of a draft arm retainer for tractor hitches showing my new design;
FIG. 2 is a side elevational view thereof, the opposite side a mirror image;
FIG. 3 is a top plan view thereof;
FIG. 4 is a bottom plan view thereof;
FIG. 5 is a front elevational view thereof;
FIG. 6 is a rear elevational view thereof.





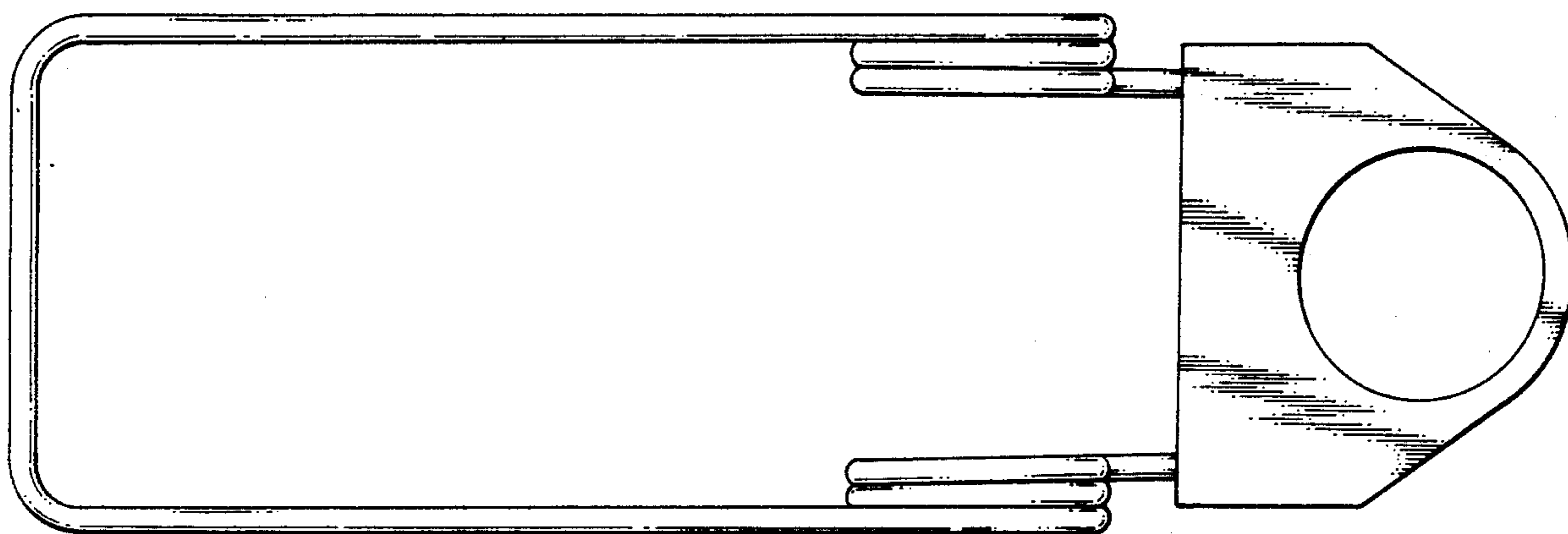


FIG. 3.

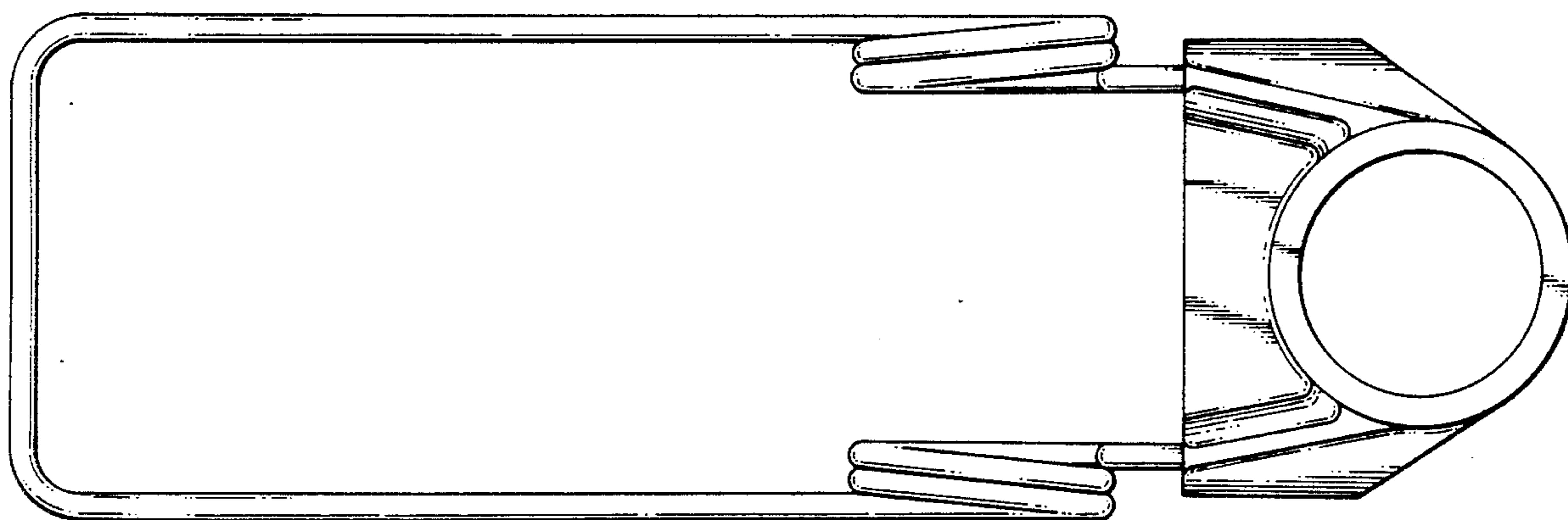


FIG. 4.

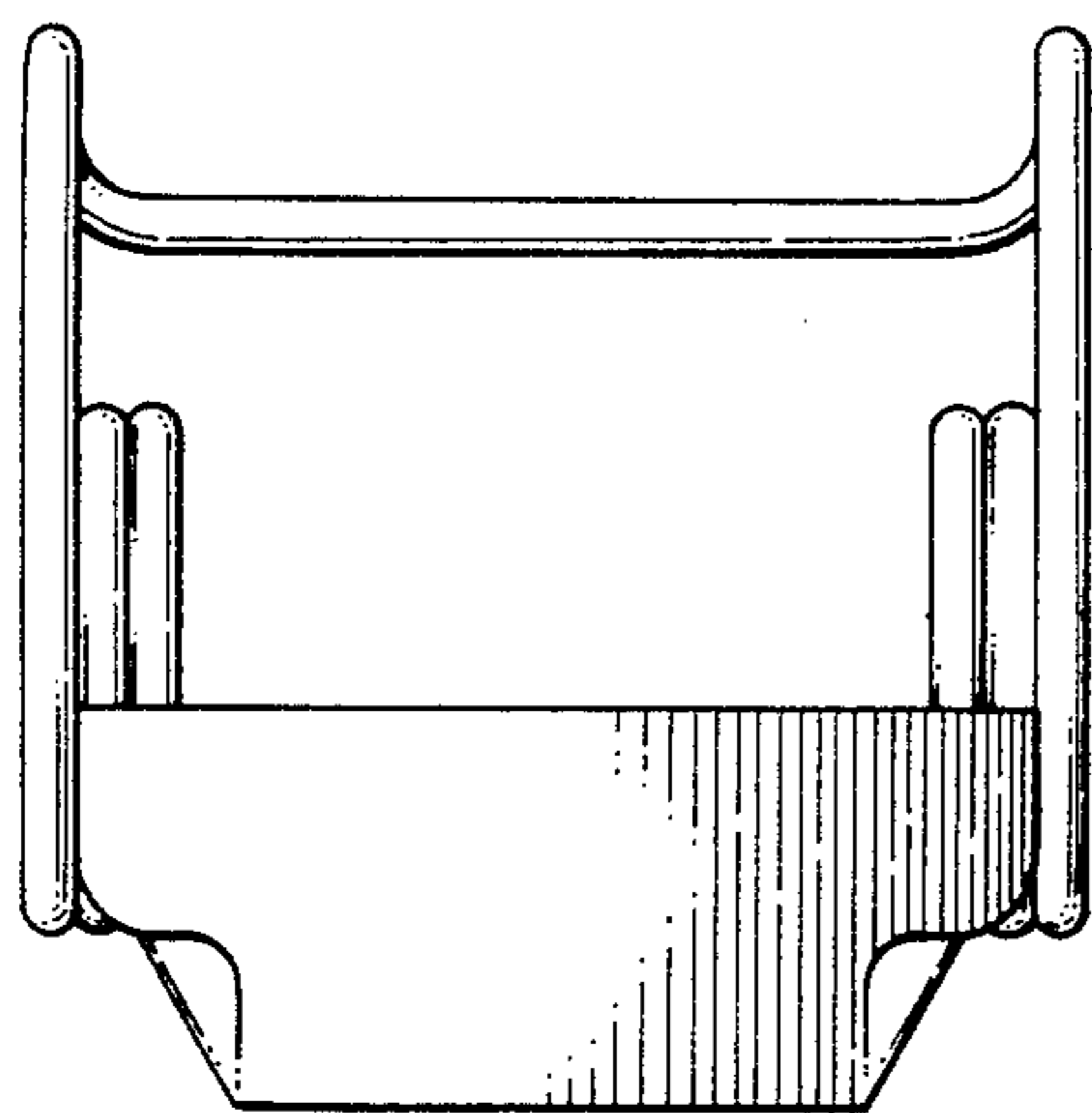


FIG. 5.

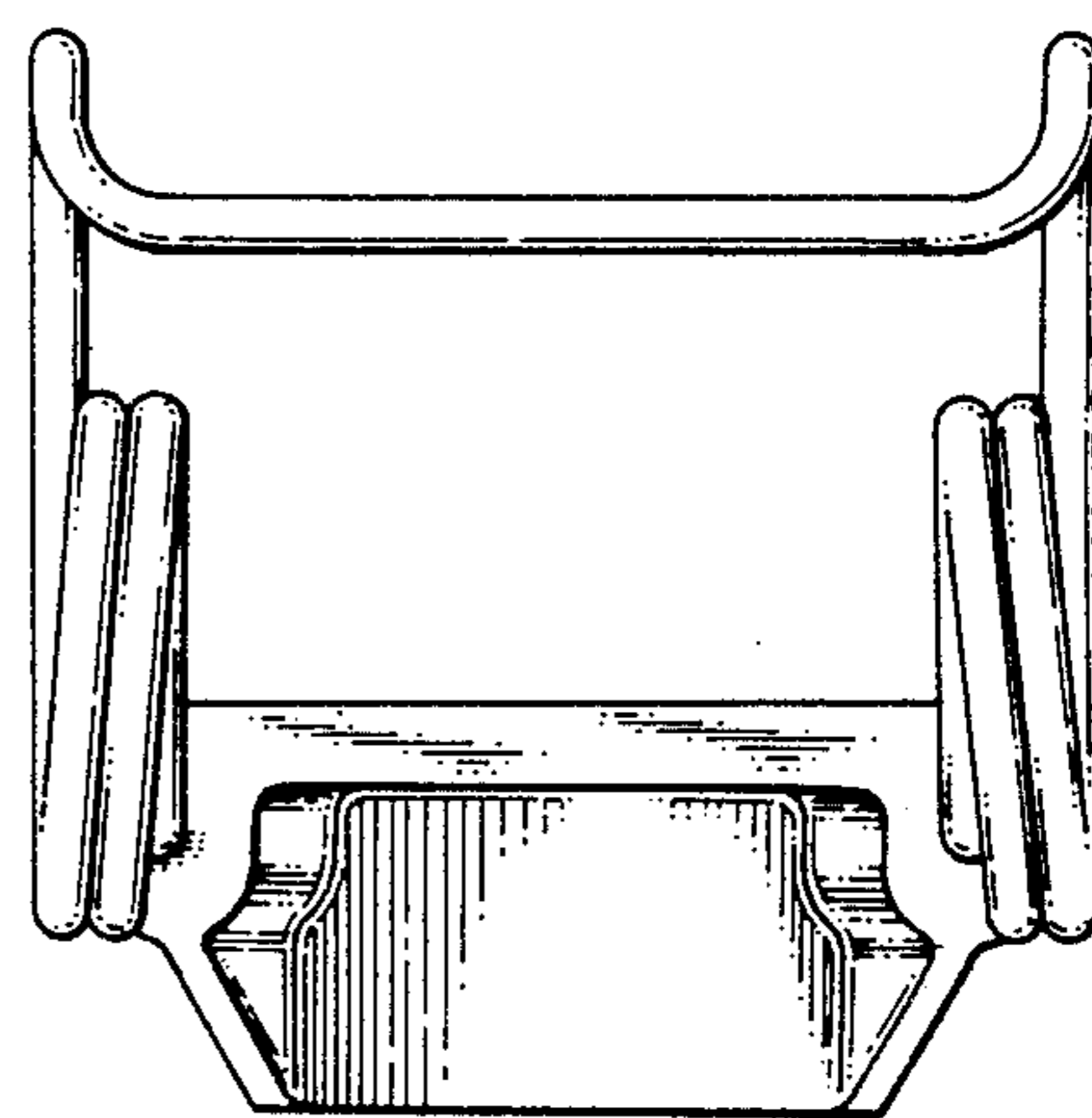


FIG. 6.