

[54] VIDEO CAMERA

[75] Inventor: Yuji Kondo, Yokohama, Japan

[73] Assignee: Canon Kabushiki Kaisha, Tokyo, Japan

[**] Term: 14 Years

[21] Appl. No.: 626,986

[22] Filed: Jul. 2, 1984

[30] Foreign Application Priority Data

| | | |
|----------------------------|---|--------|
| Jan. 13, 1984 [JP] | Japan | 59-882 |
| [52] U.S. Cl. | D14/78; D14/1 | |
| [58] Field of Search | D14/78, 1, 5, 6; D16/3, D16/4; 352/242, 243, 72; 358/906, 224 | |

[56] References Cited
PUBLICATIONS

Video Review, Sep., 1983, p. 69, upper right, JVC Videocamera, model GZ-S5U.

Video Review, Sep., 1982, p. 15, middle, Canon Video-camera, model VC-10A.

W. Bell & Co. 1983 cat., p. 304, center, item "I", Sony HVC-2200 Movie Camera.

Primary Examiner—Melvin B. Feifer
Attorney, Agent, or Firm—Fitzpatrick, Cella, Harper & Scinto

[57] CLAIM

The ornamental design for a video camera, as shown and described.

DESCRIPTION

FIG. 1 is a front view of the video camera showing my new design;

FIG. 2 is a rear view thereof;

FIG. 3 is a top plan view thereof;

FIG. 4 is a bottom plan view thereof;

FIG. 5 is a side elevational view as seen from the left of FIG. 1;

FIG. 6 is a side elevational view as seen from the right of FIG. 1 and

FIG. 7 is a perspective view thereof with the view finder in its rest position.

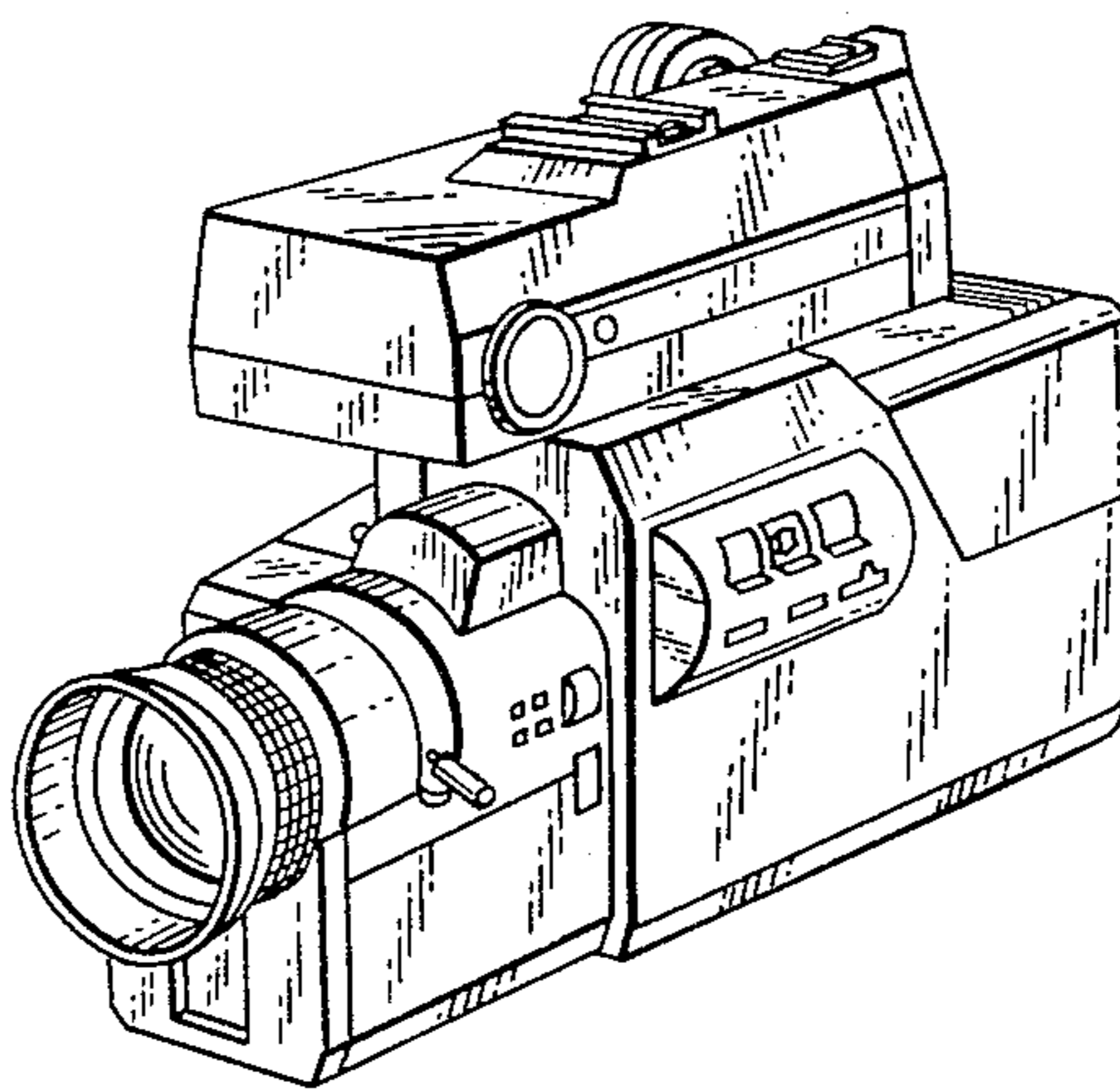


FIG. 1

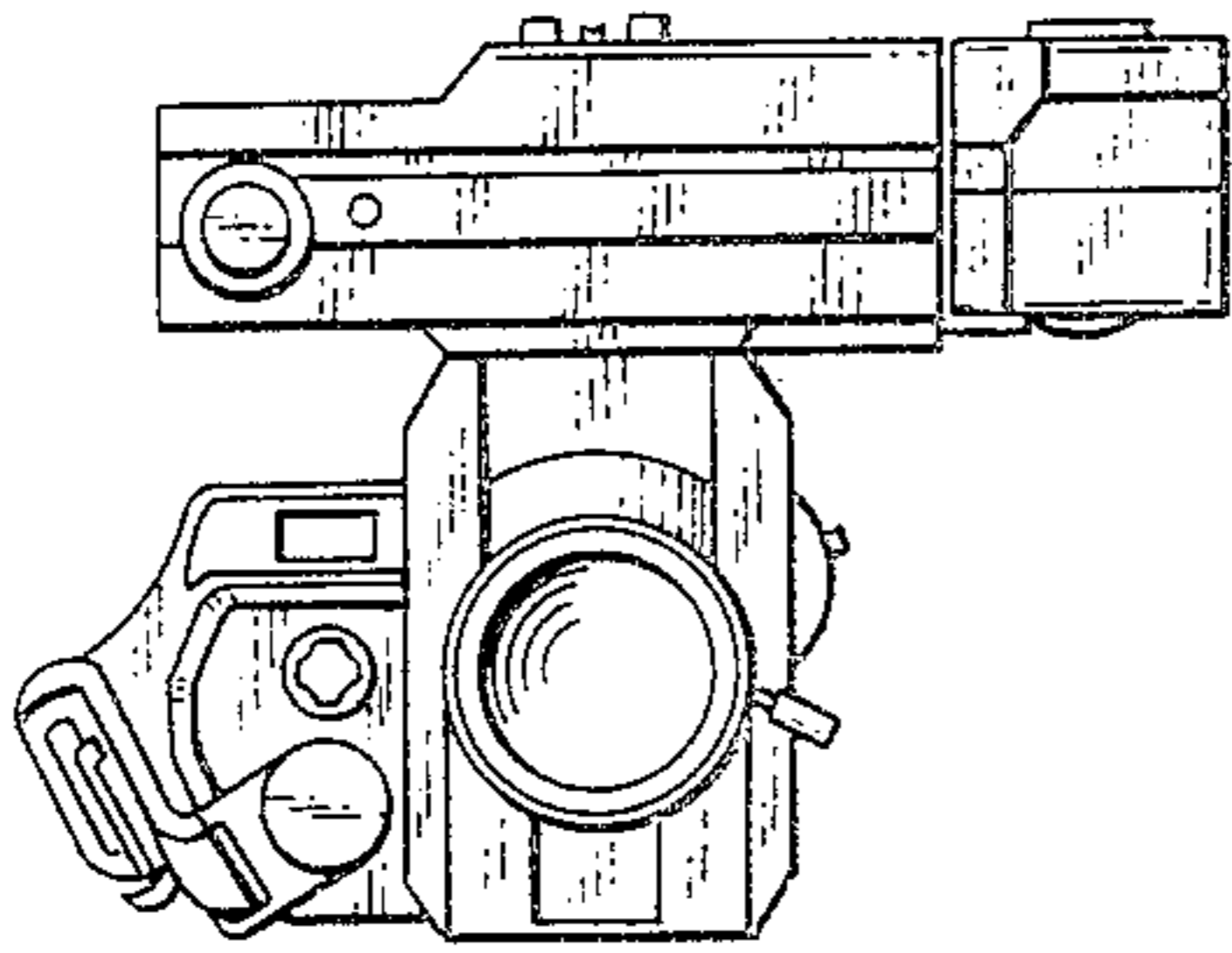


FIG. 2

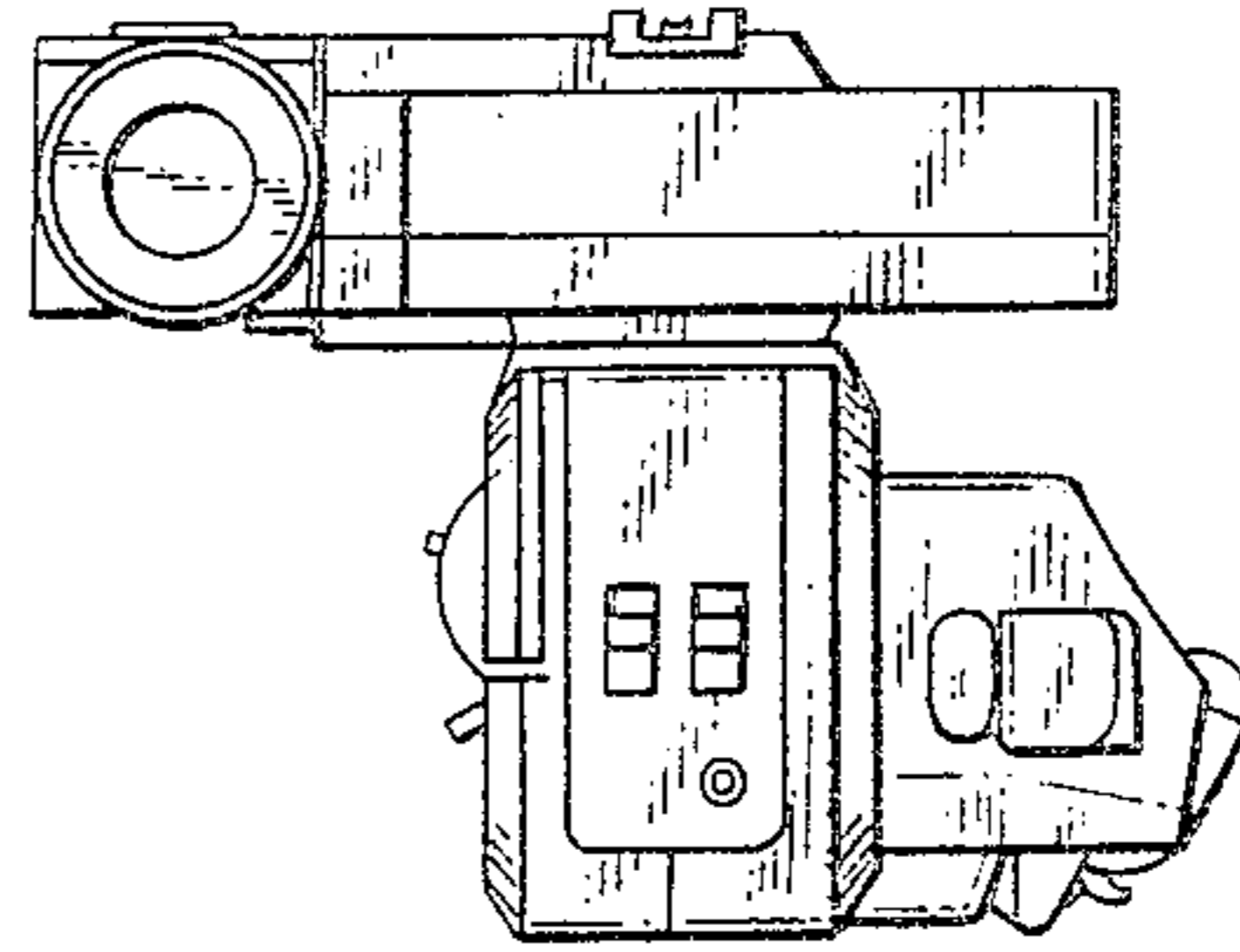


FIG. 3

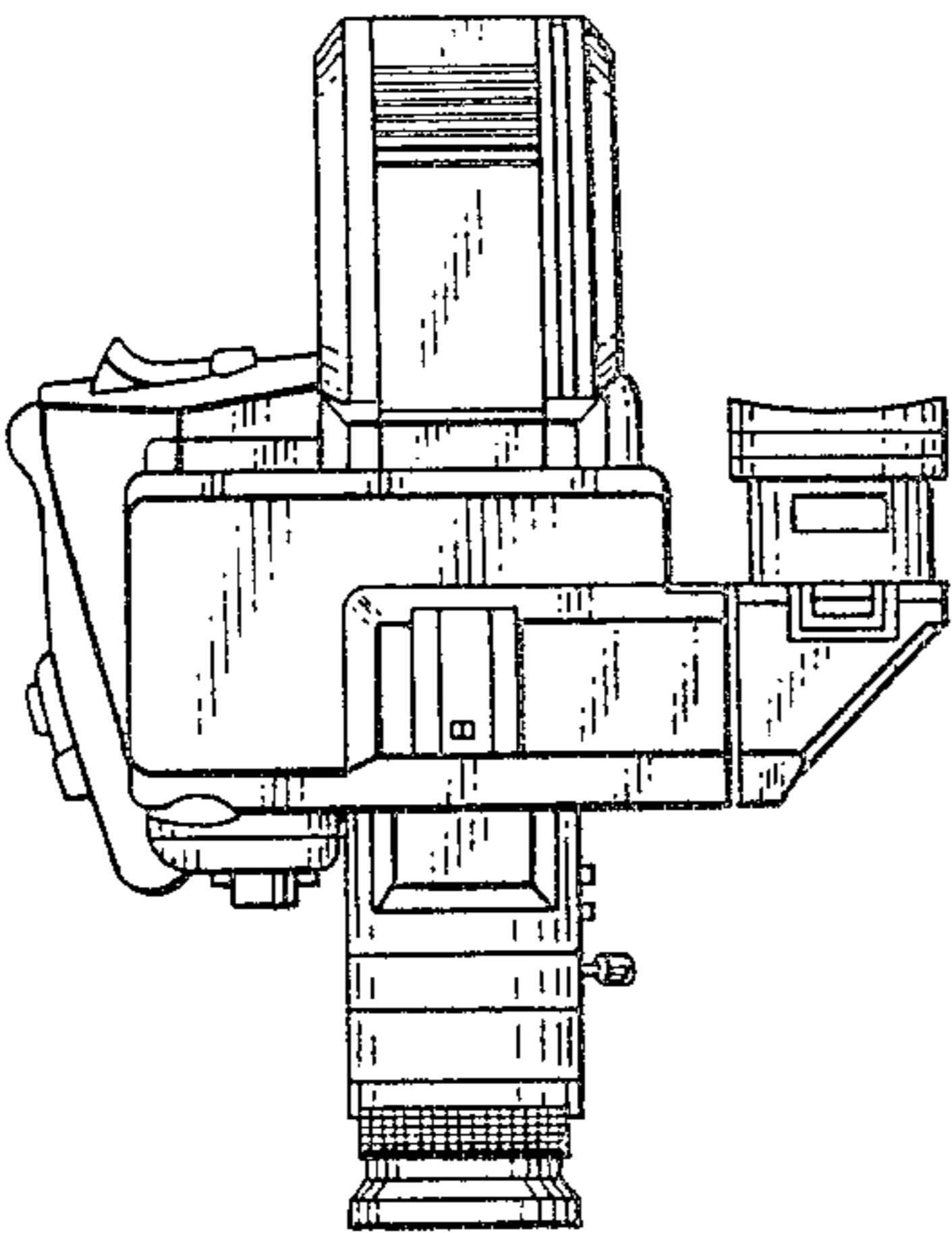


FIG. 4

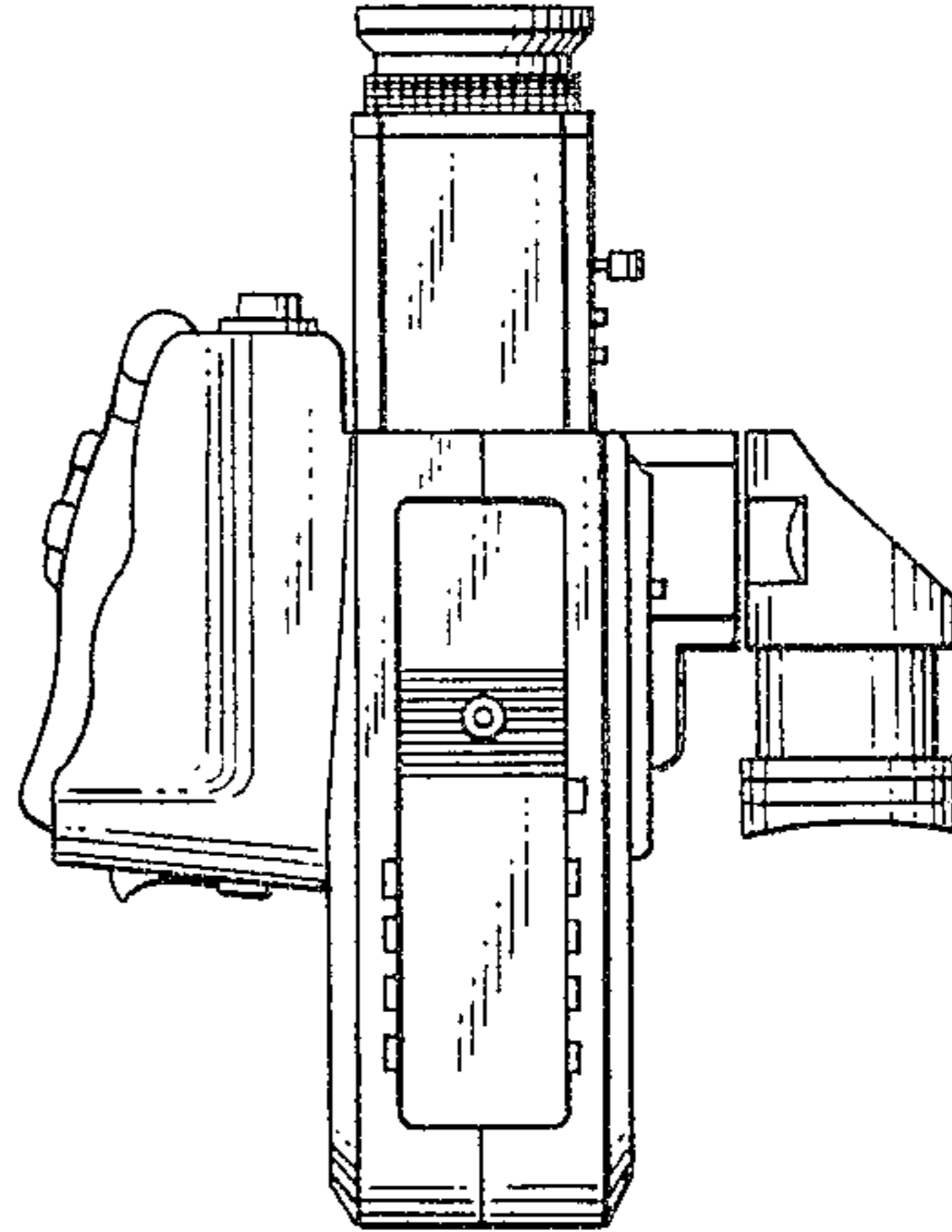


FIG. 5

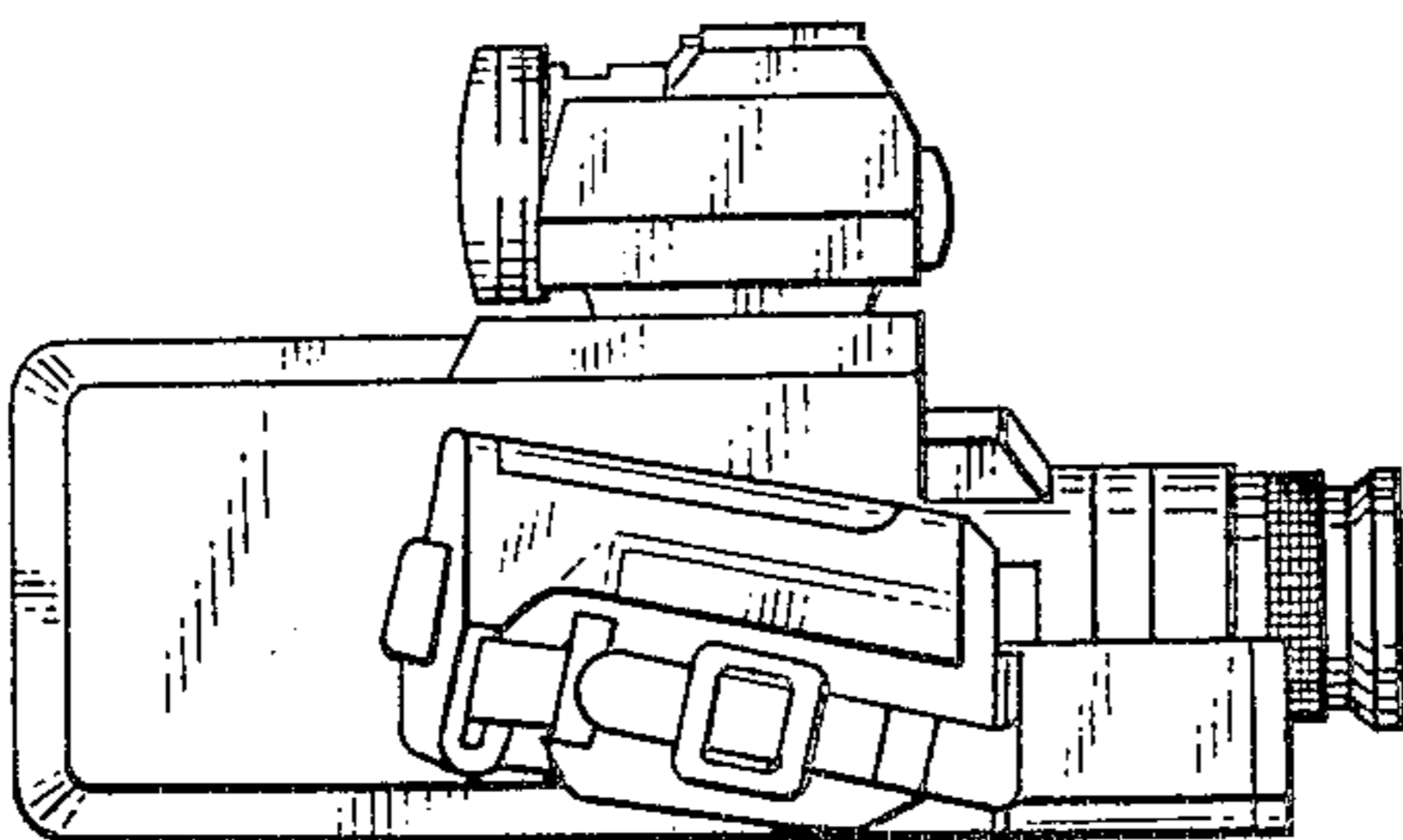


FIG. 6

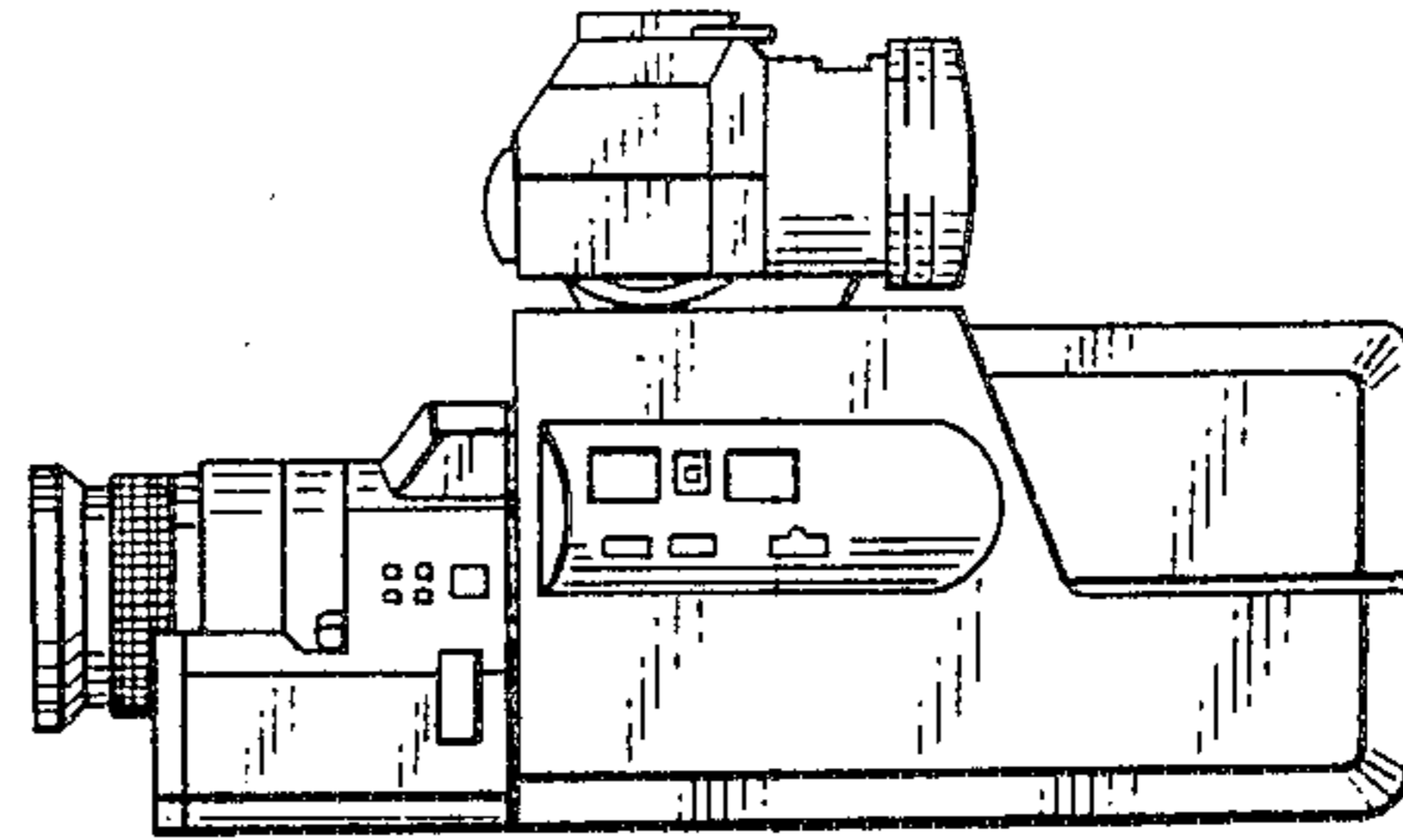


FIG. 7

