

[54] MAGNETIC TAPE CASSETTE

4,556,153 12/1985 Takagi et al. 360/132 X
4,607,308 8/1986 Tsuruta et al. 360/132

[75] Inventors: Toshio Ohya, Tokyo; Yuko Wada, Tachikawa, both of Japan

Primary Examiner—Bernard Ansher
Assistant Examiner—Theodore M. Shooman
Attorney, Agent, or Firm—Lewis H. Eslinger; Alvin Sinderbrand

[73] Assignee: Sony Corporation, Tokyo, Japan

[**] Term: 14 Years

[57] CLAIM

[21] Appl. No.: 714,893

The ornamental design for a magnetic tape cassette, as shown and described.

[22] Filed: Mar. 22, 1985

[30] Foreign Application Priority Data

DESCRIPTION

Oct. 1, 1984 [JP] Japan 59-40720

[52] U.S. Cl. D14/11

[58] Field of Search D14/1, 11, 99; 360/132, 360/134; 242/197, 198, 199

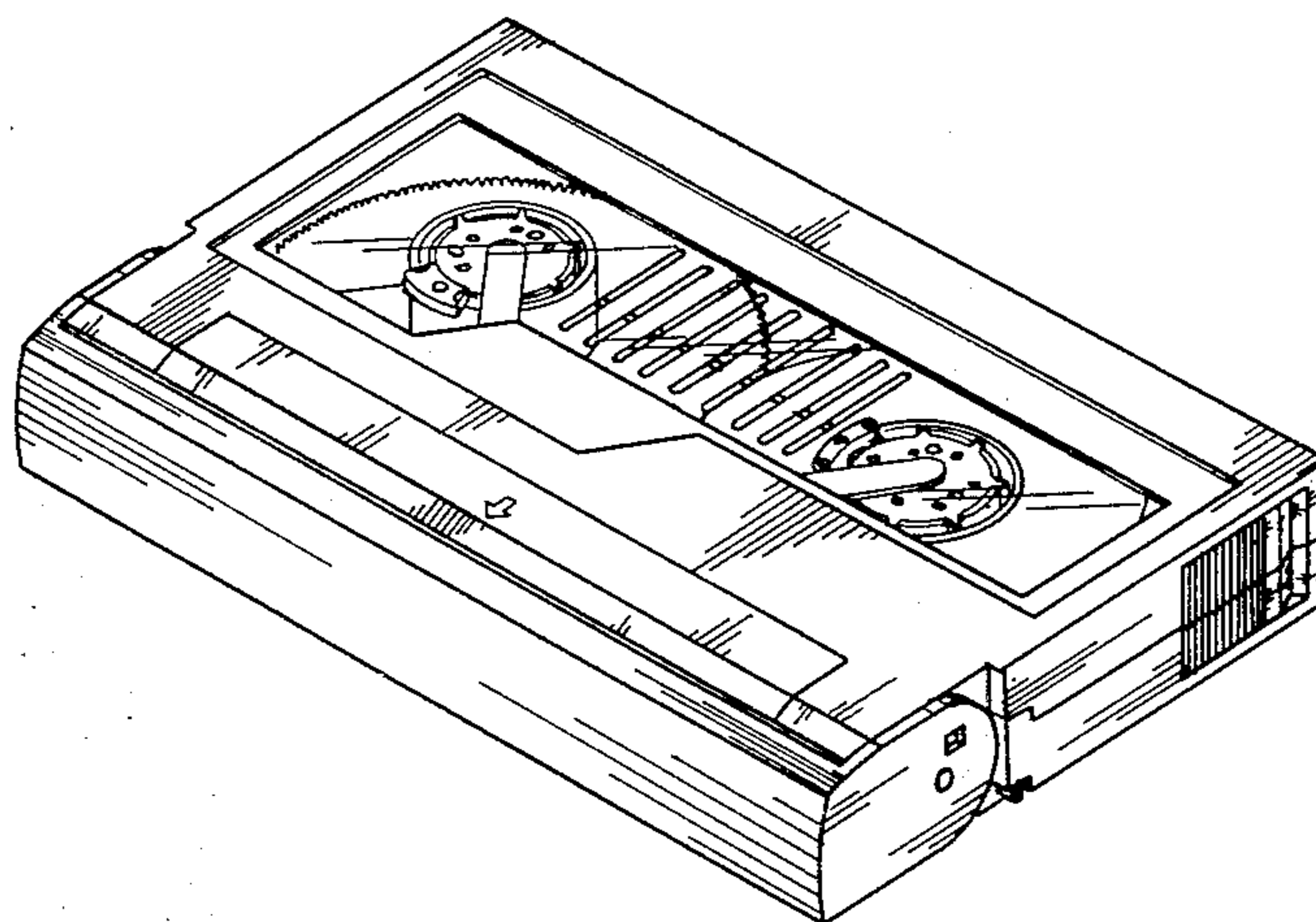
FIG. 1 is a top, front and right side perspective view of a magnetic tape cassette showing our new design; FIG. 2 is a bottom, front and left side perspective view thereof; FIG. 3 is a top plan view thereof; FIG. 4 is a bottom plan view thereof; FIG. 5 is a right side elevational view thereof; FIG. 6 is a left side elevational view thereof; FIG. 7 is a front elevational view thereof; and FIG. 8 is a rear elevational view thereof.

[56] References Cited

U.S. PATENT DOCUMENTS

- D. 250,474 12/1978 Nishigaki D14/11
- D. 258,287 2/1981 Hashimoto et al. D14/11
- D. 263,585 3/1982 Doodson D14/11
- D. 266,419 10/1982 Hashimoto et al. D14/11
- D. 271,392 11/1983 Sumisha et al. D14/11

The window seen in the center of the magnetic tape cassette in FIGS. 1 and 3 is transparent.



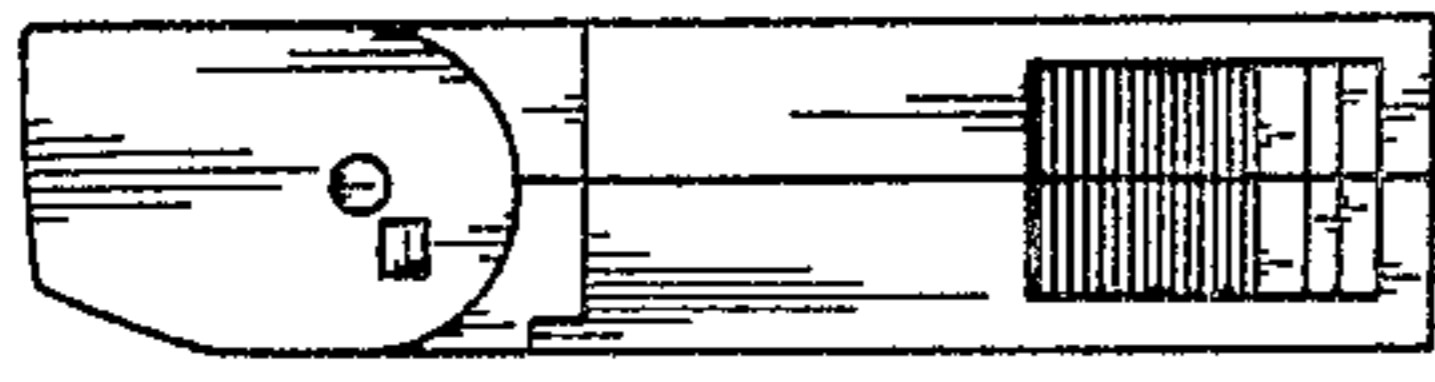


FIG. 5

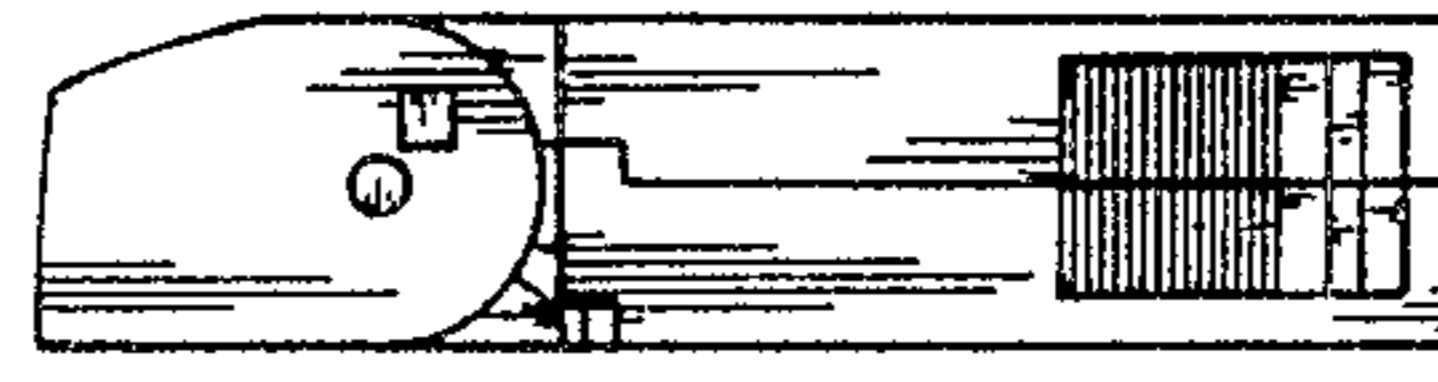


FIG. 6

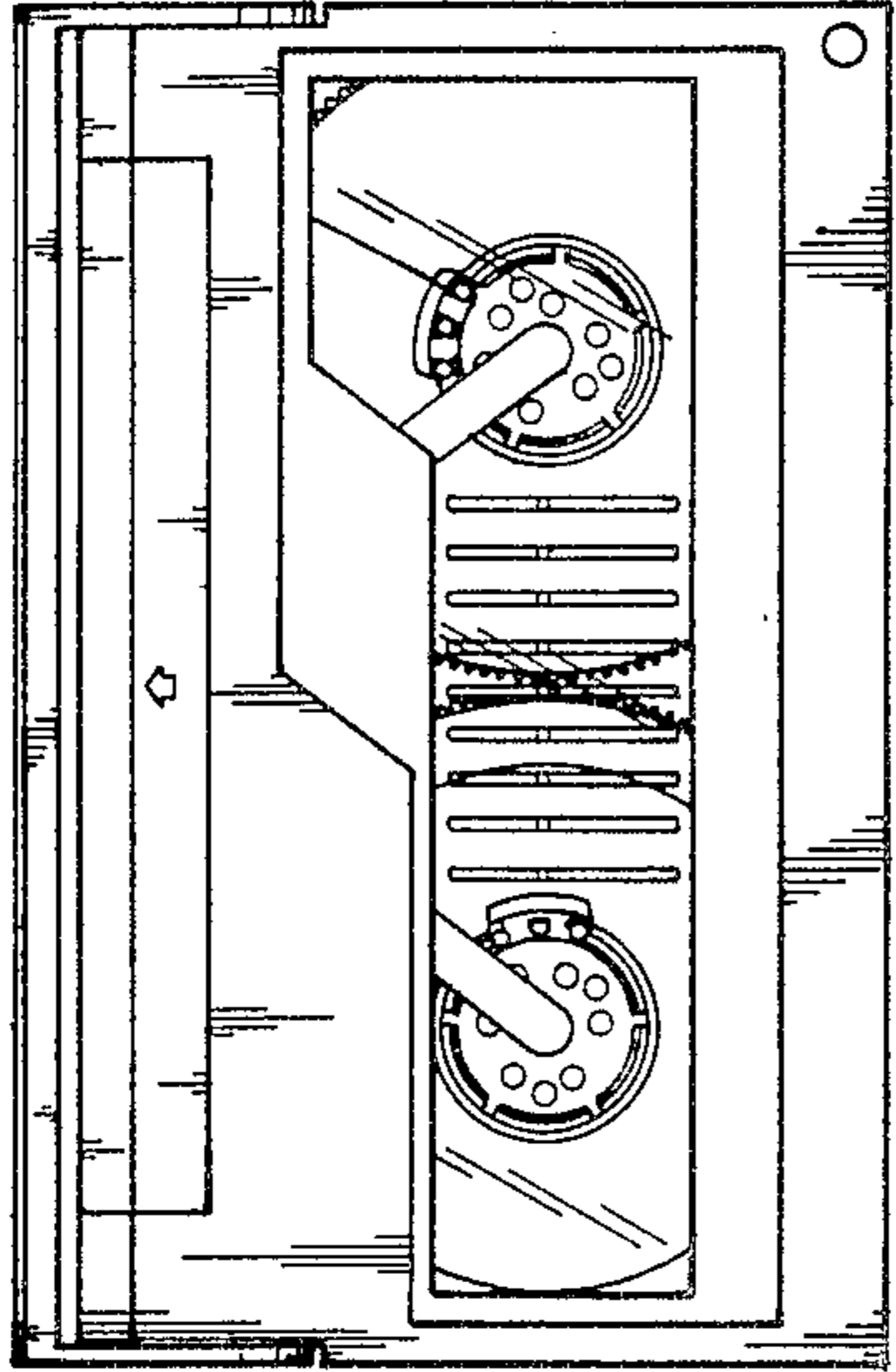


FIG. 3

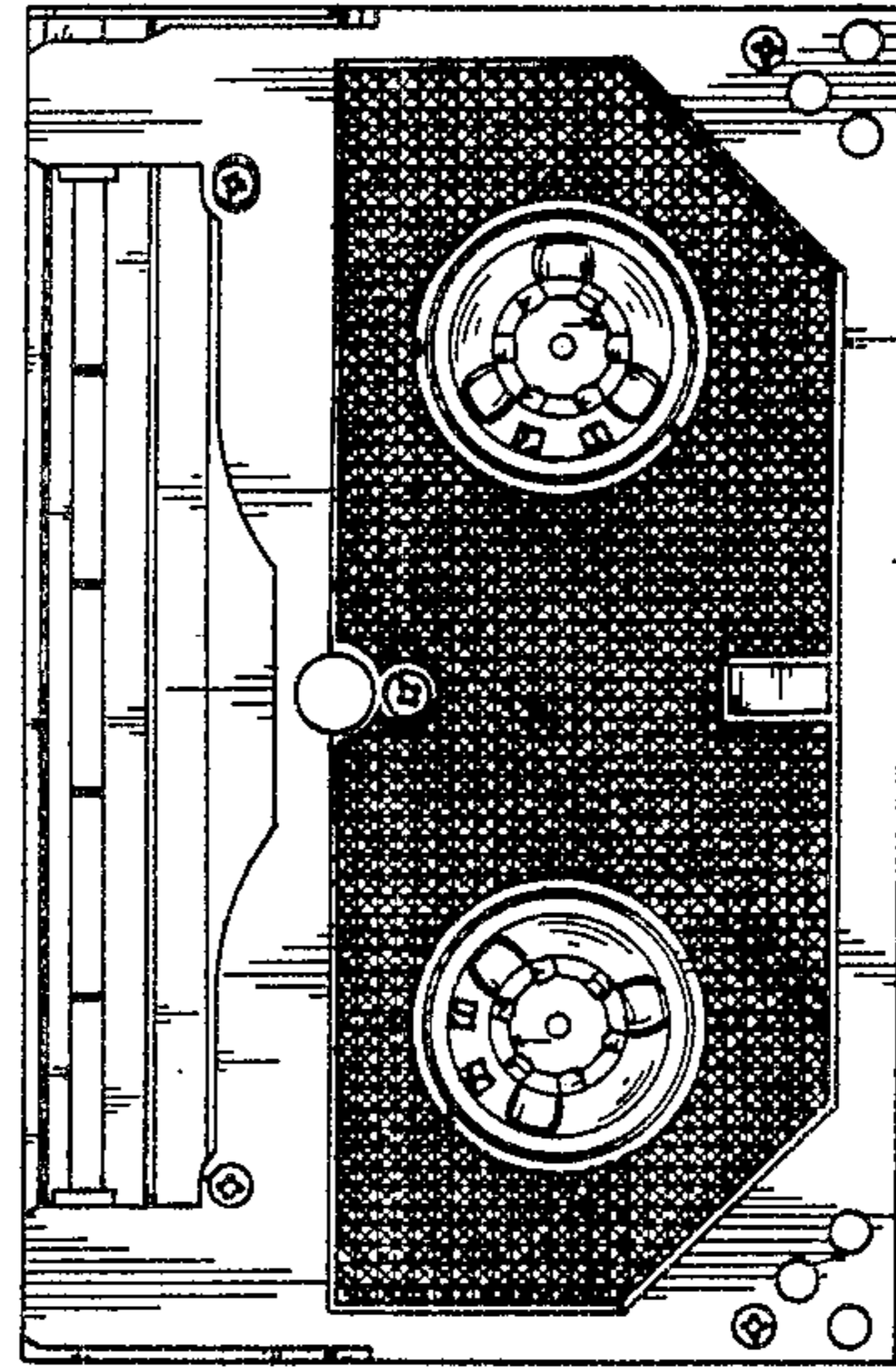


FIG. 4

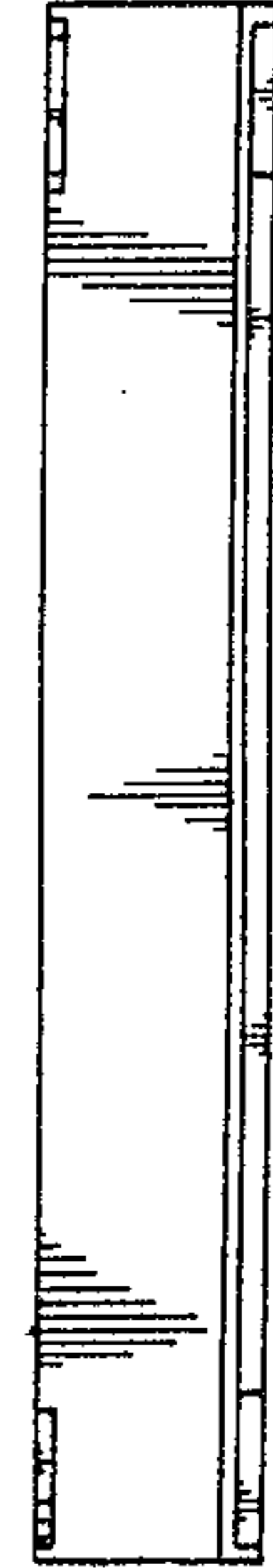


FIG. 7

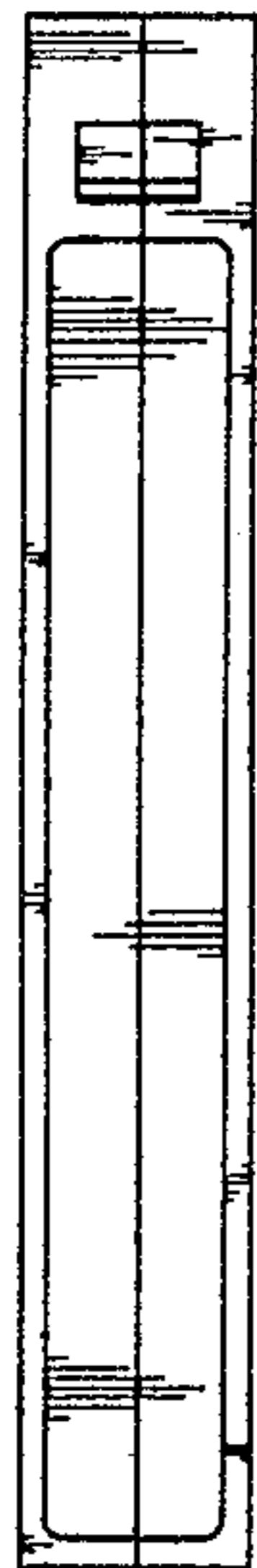


FIG. 8

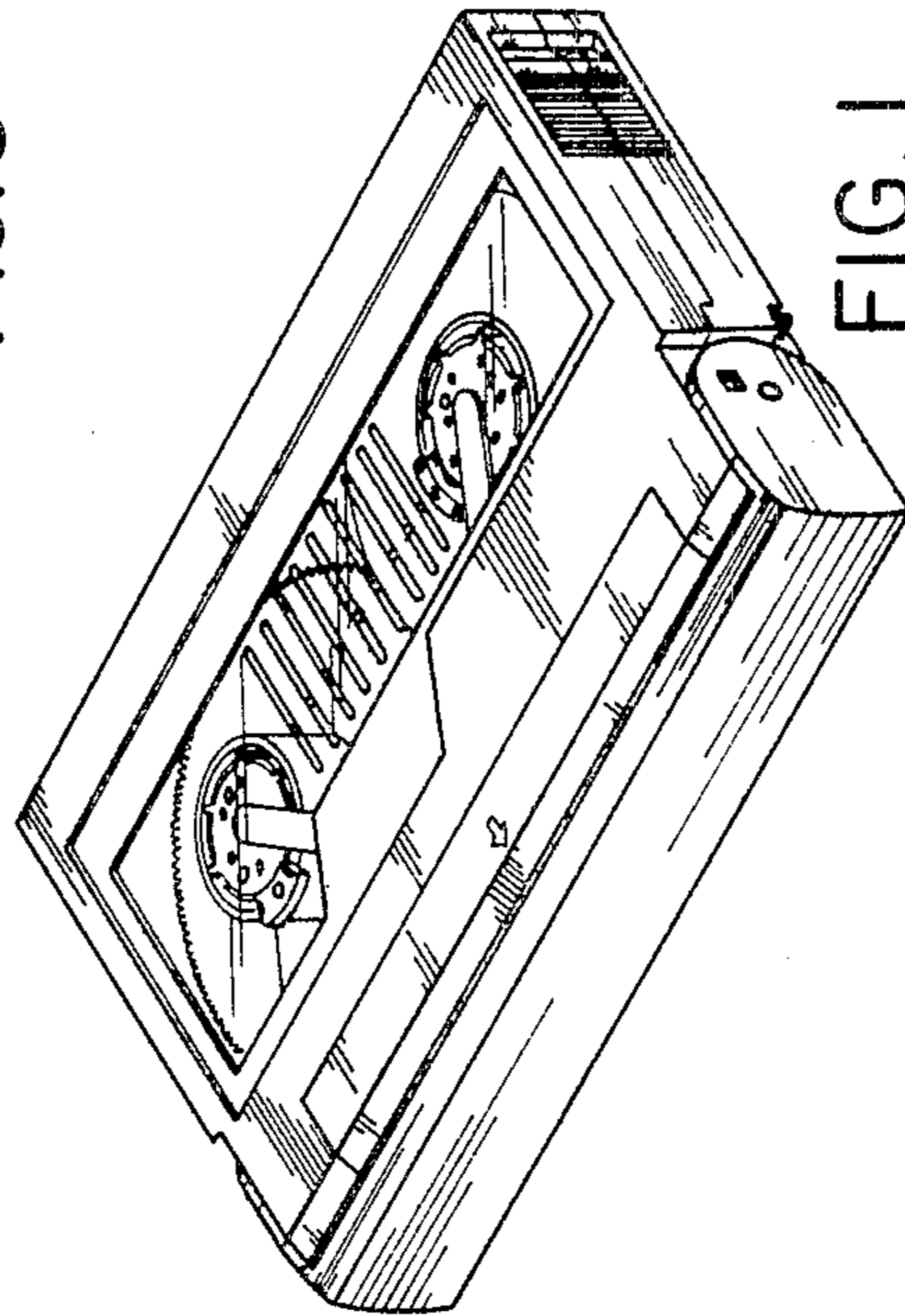


FIG. 1

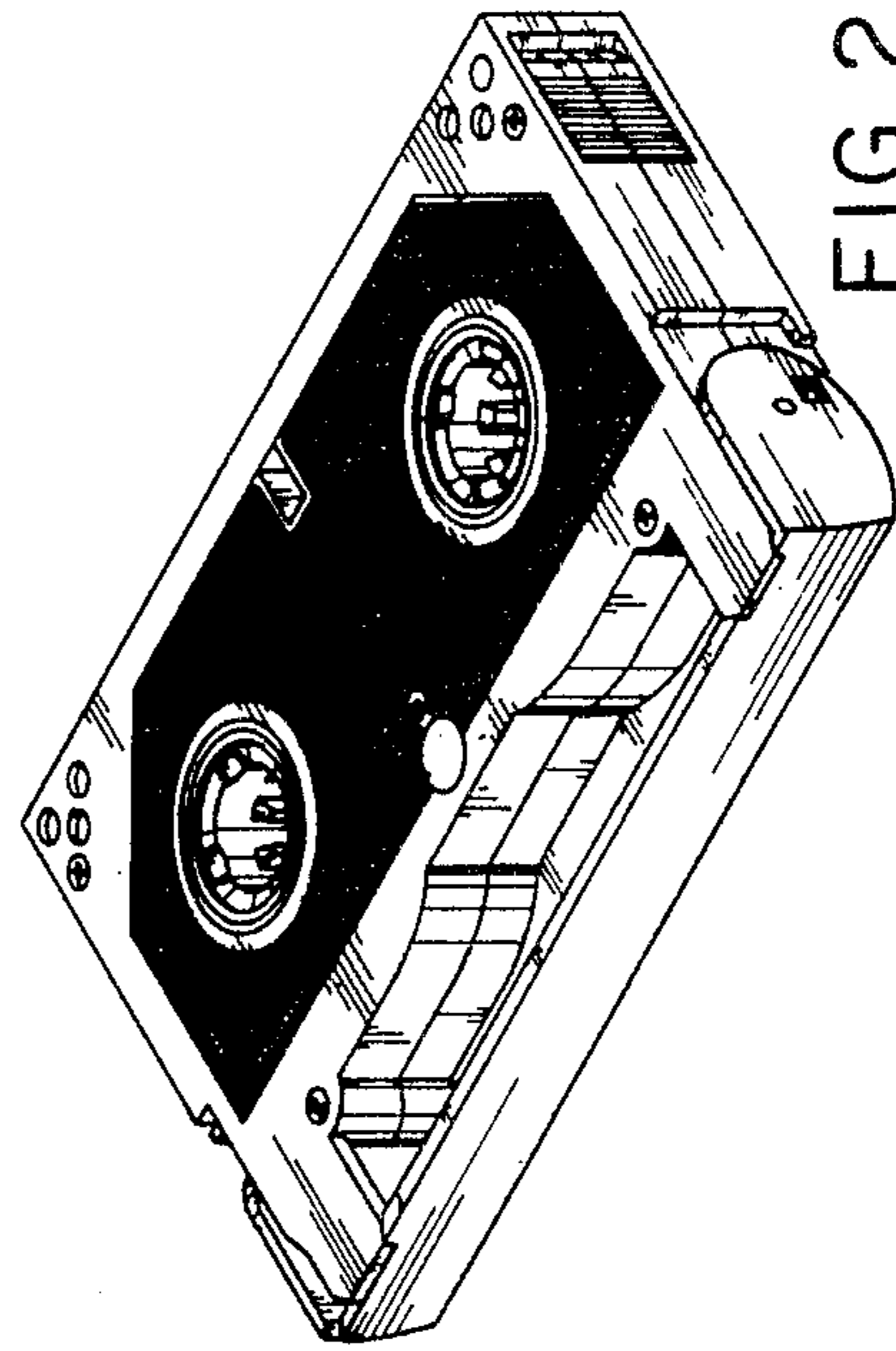


FIG. 2