

[54] FRAME FOR TELEPHONE WIRE
TERMINAL BLOCKS

3,780,351 12/1973 Salmon et al. 179/91 R
3,948,473 4/1976 Mason 174/68 C
4,470,102 9/1984 DeLuca et al. 174/59

[76] Inventors: John R. Maurer, 4261 Hambrick
Way; William E. Turner, 4285
Hambrick Way, both of Stone
Mountain, Ga. 30083

Primary Examiner—Wallace R. Burke
Assistant Examiner—Ruth E. Takemoto
Attorney, Agent, or Firm—James B. Middleton

[**] Term: 14 Years

[57] CLAIM

[21] Appl. No.: 642,402

The ornamental design for a frame for telephone wire
terminal blocks, as shown and described.

[22] Filed: Aug. 20, 1984

DESCRIPTION

[52] U.S. Cl. D13/40

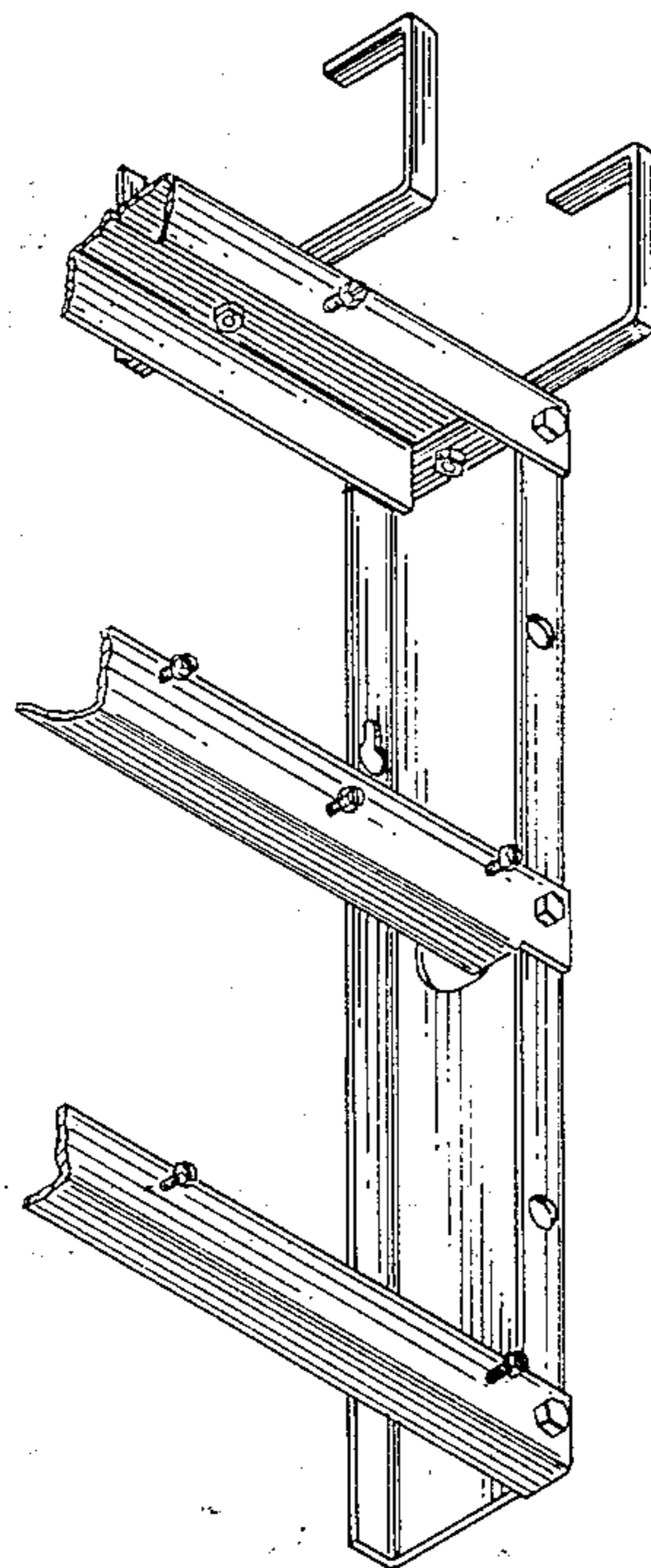
[58] Field of Search D13/12, 24, 40-41,
D13/99; D14/56, 58-59, 65; D6/449;
361/331-332, 346, 352-353, 358, 397-399, 412,
415, 426-429; 211/41; 179/91 R, 98; 174/52 R,
59, 68 C; 269/903

FIG. 1 is a front elevational view of a frame for tele-
phone wire terminal blocks showing our new design;
FIG. 2 is a top plan view thereof;
FIG. 3 is a bottom plan view thereof;
FIG. 4 is a rear elevational view thereof;
FIG. 5 is a left side elevational view thereof, the oppo-
site side being a mirror image;
FIG. 6 is a cross-sectional view taken along the line
6-6 in FIG. 4; and,
FIG. 7 is a fragmentary front, bottom and right side
enlarged perspective view thereof.

[56] References Cited

U.S. PATENT DOCUMENTS

D. 249,789 10/1978 DeLuca D13/24
3,521,129 7/1970 MacKenzie, Jr. 361/429



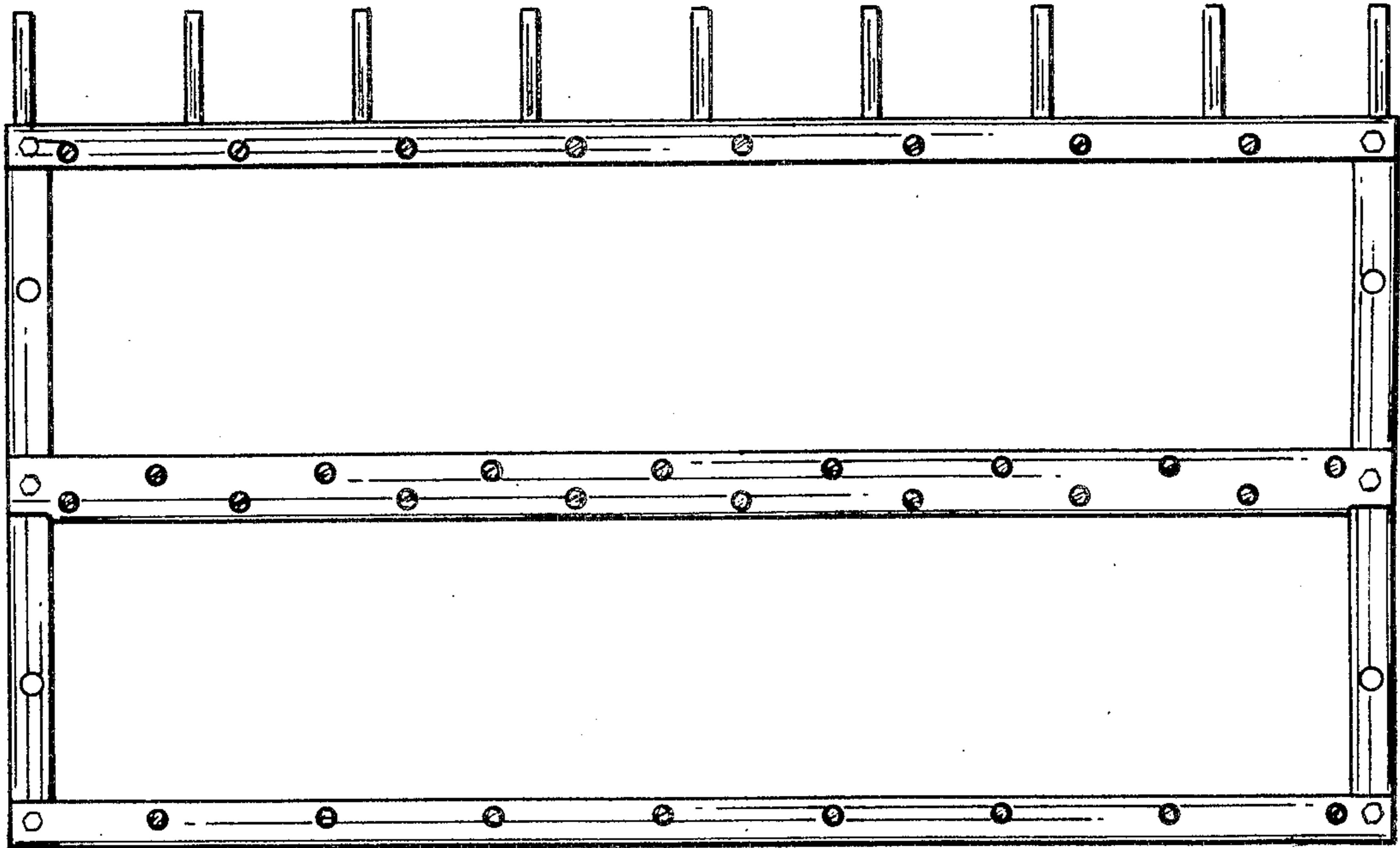


FIG. 1

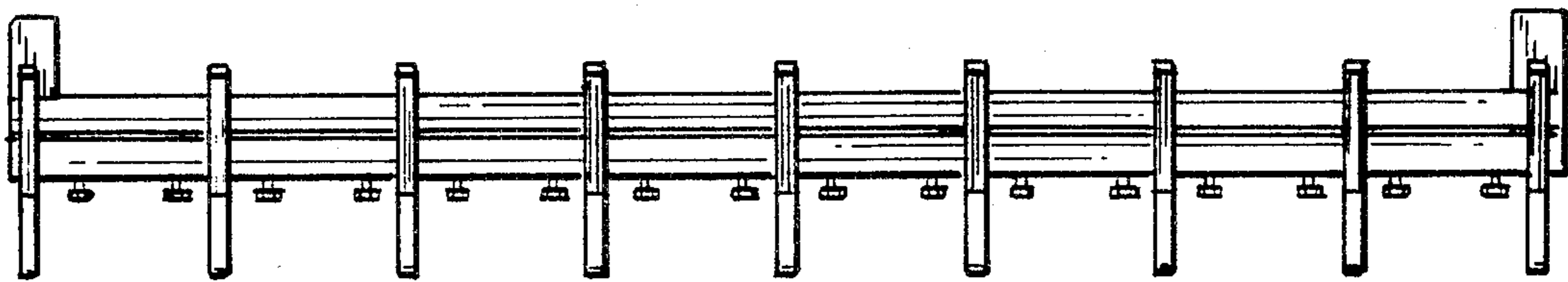


FIG. 2

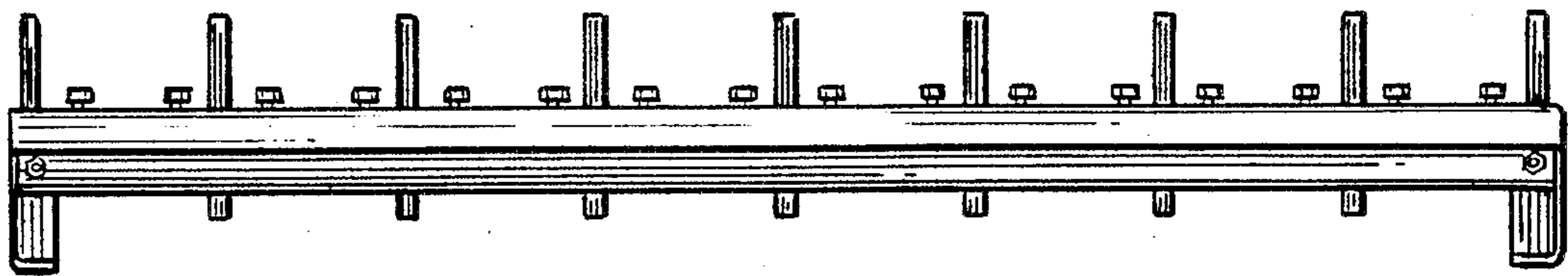


FIG. 3

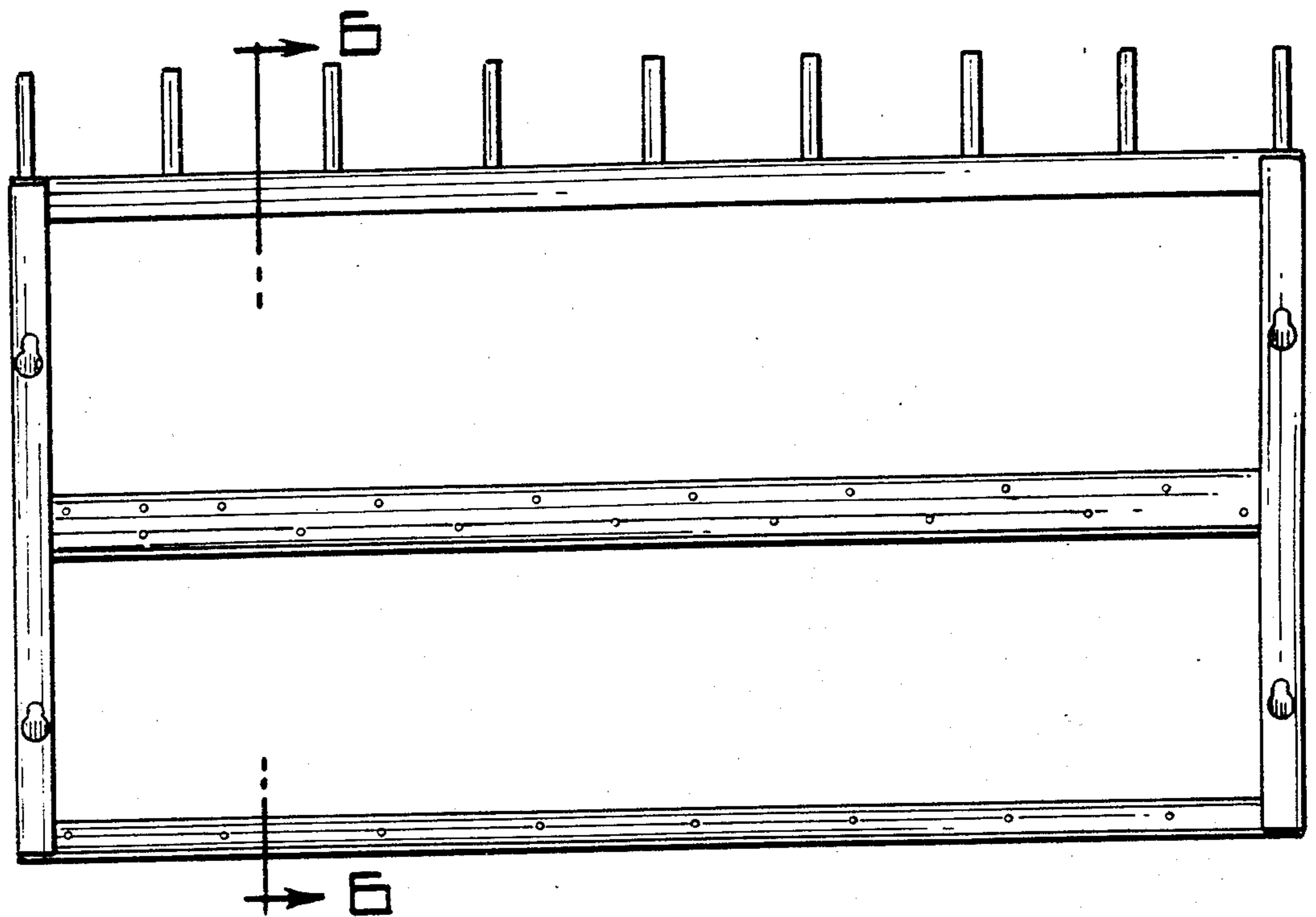


FIG. 4

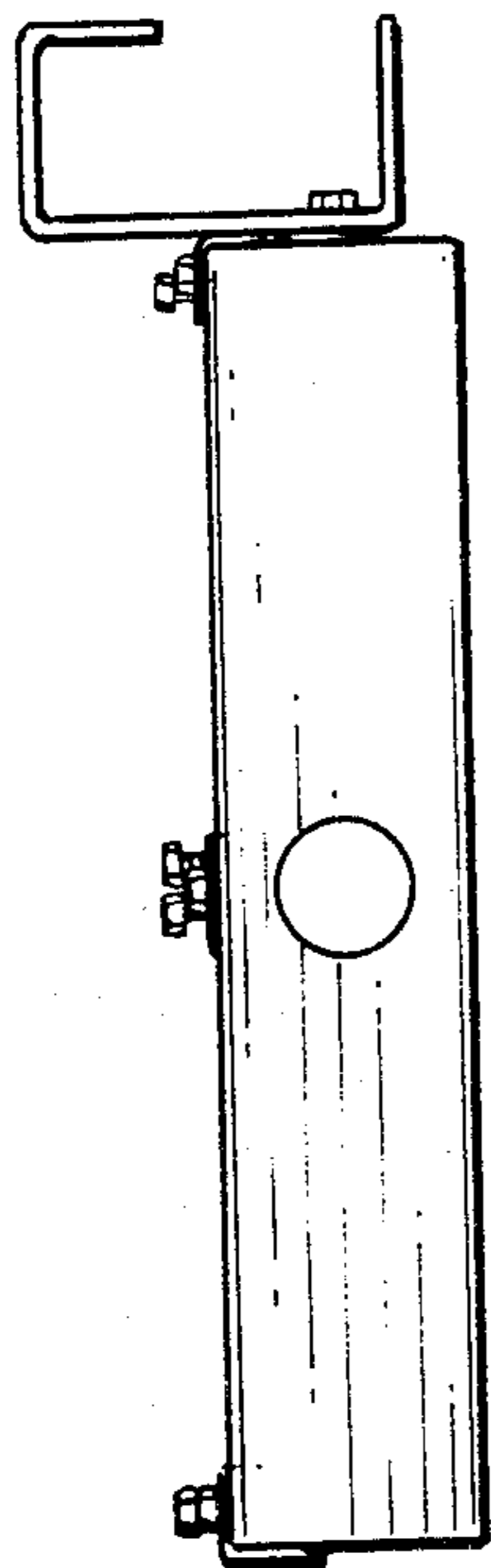


FIG. 5

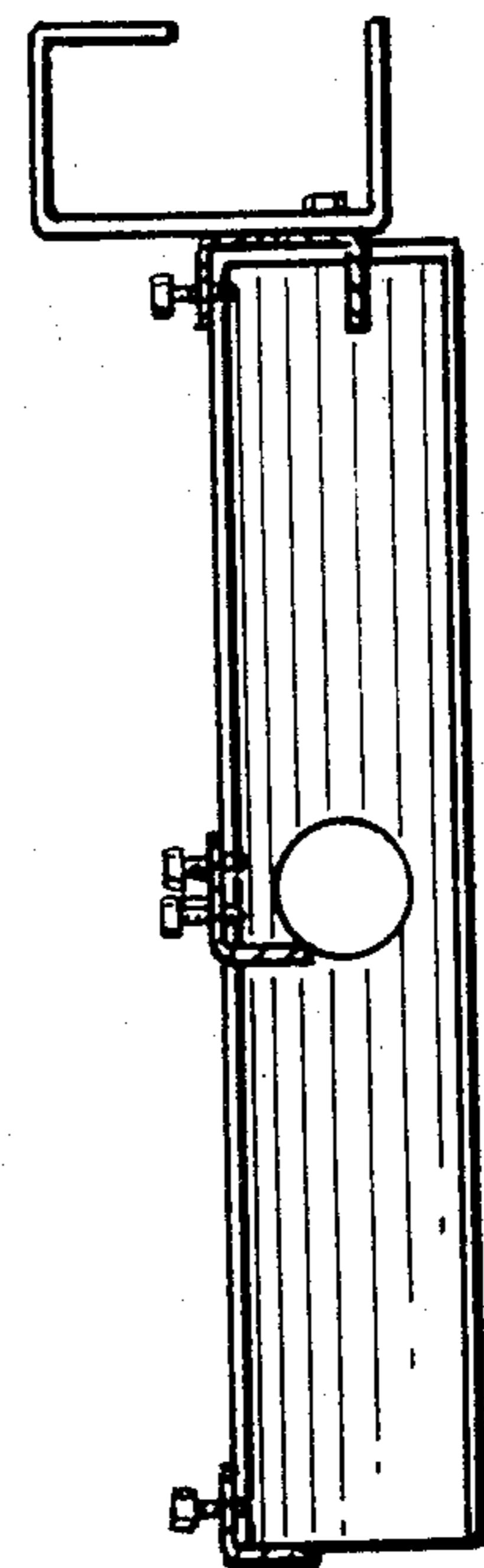


FIG. 6

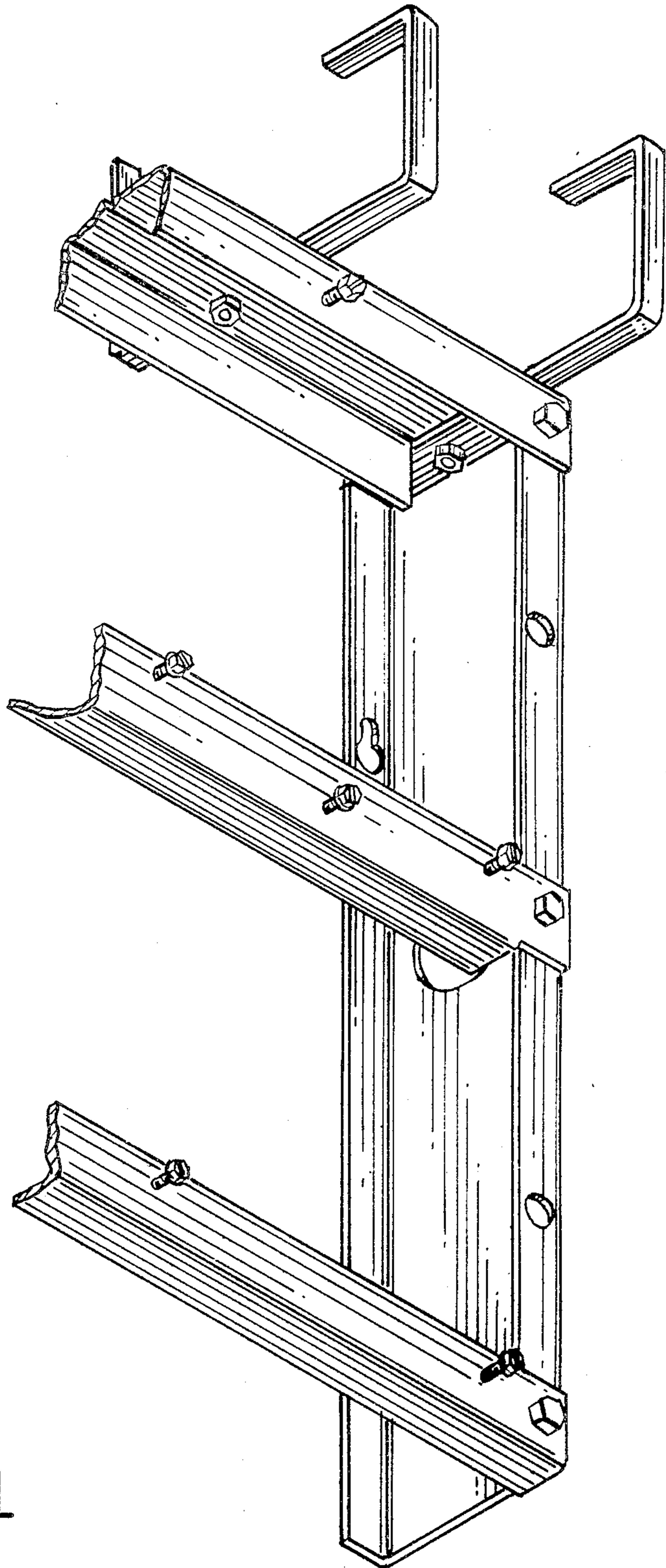


FIG. 7