

[54] WIRE CHANNEL

[75] Inventor: David W. Bramwell, Prestatyn, United Kingdom

[73] Assignee: EGA Limited, United Kingdom

[\*] Notice: The portion of the term of this patent subsequent to May 5, 2001 has been disclaimed.

[\*\*] Term: 14 Years

[21] Appl. No.: 641,492

[22] Filed: Aug. 15, 1984

[30] Foreign Application Priority Data

Jun. 26, 1984 [GB] United Kingdom ..... 1020638

[52] U.S. Cl. .... D13/13

[58] Field of Search ..... D13/13, 24-26, D13/28-31; 174/48, 68 R, 68 C, 72 A, 73 R, 74 A, 74 R, 76, 77, 82, 93, 98, 101; 138/151, 156, 157, 162, 163, 166, 168

[56] References Cited

U.S. PATENT DOCUMENTS

D. 269,968	8/1983	Rodriguez Moura	.....	D13/13
2,292,395	8/1942	O'Brien	.....	174/101
3,403,220	9/1968	Riedel et al.	.....	138/162 X
4,589,449	5/1986	Bramwell	.....	138/162

FOREIGN PATENT DOCUMENTS

2406327	6/1979	France	.....	138/166
1021871	3/1966	United Kingdom	.....	174/101

Primary Examiner—Susan J. Lucas  
Assistant Examiner—C. E. Heflin  
Attorney, Agent, or Firm—Andrus, Sceales, Starke & Sawall

[57] CLAIM

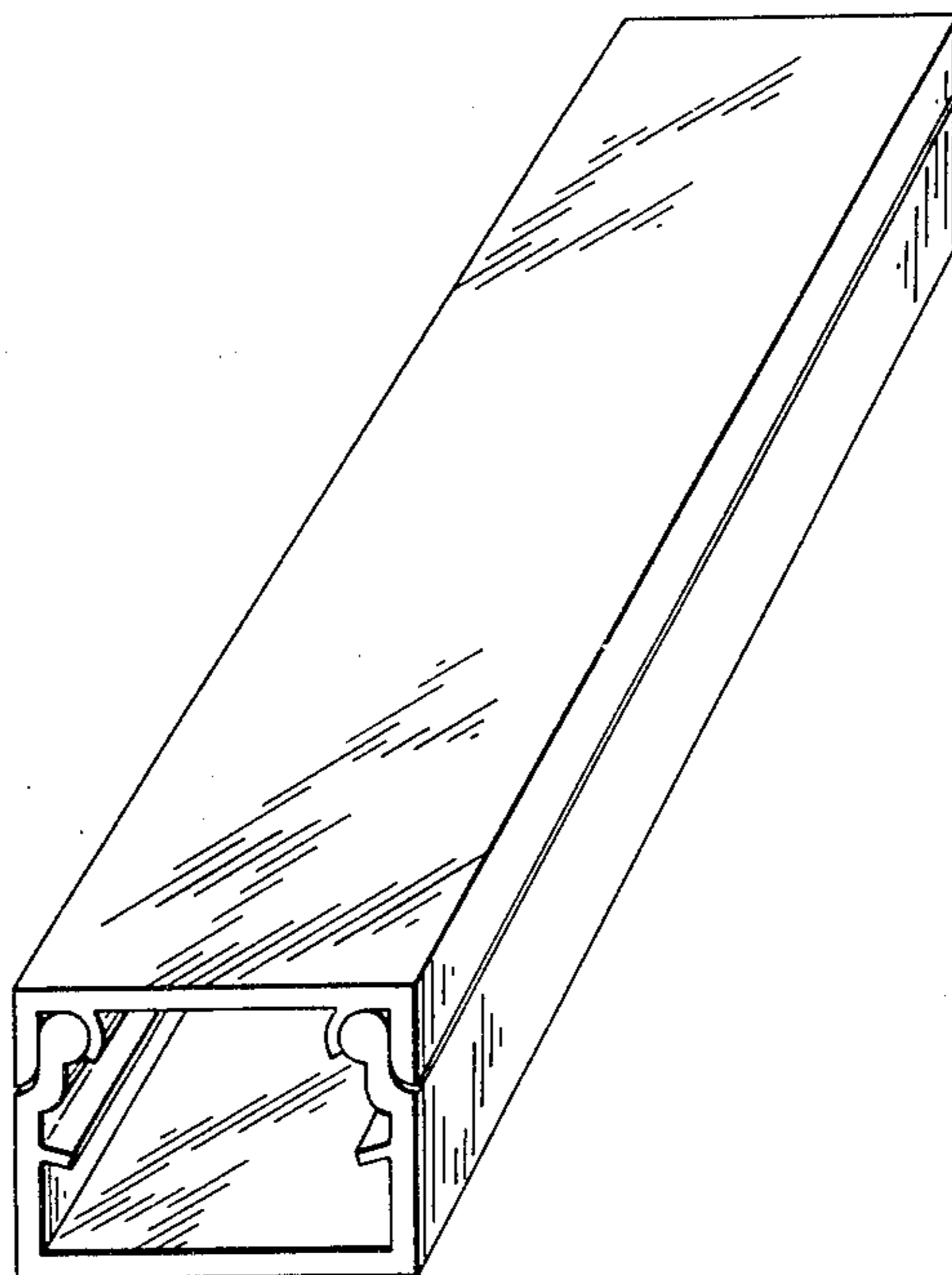
The ornamental design for a wire channel, as shown and described.

DESCRIPTION

FIG. 1 is an end and one side perspective view of the wire channel showing my new design;

FIG. 2 is an end elevational view thereof.

The trunking comprises an elongate channel member and a snap-fit cover member. The channel is secured to a substrate such as a wall, and services, such as electric and telephone cable, laid therein before the cover is fitted thereof.



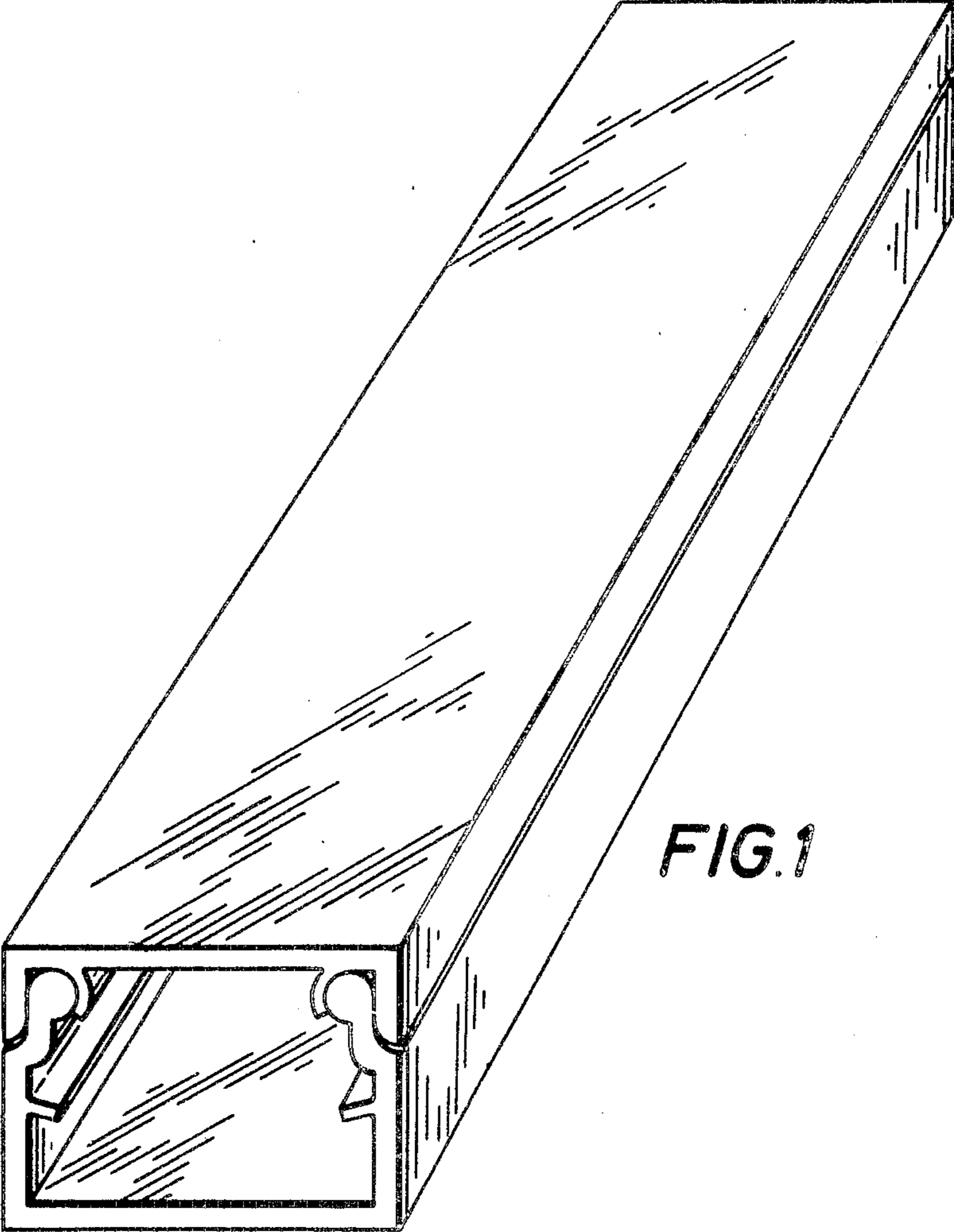


FIG. 2

