

[54] WIRE CHANNEL

[75] Inventor: David W. Bramwell, Prestatyn, United Kingdom

[73] Assignee: EGA Limited, United Kingdom

[*] Notice: The portion of the term of this patent subsequent to May 5, 2001 has been disclaimed.

[**] Term: 14 Years

[21] Appl. No.: 641,495

[22] Filed: Aug. 15, 1984

[30] Foreign Application Priority Data

Jun. 26, 1984 [GB] United Kingdom 1020640

[52] U.S. Cl. D13/13

[58] Field of Search D13/13, 24-26, D13/28-31; 174/48, 68 R, 68 C, 72 A, 73 R, 74 A, 74 R, 76, 77, 82, 93, 98, 101; 138/151, 156, 157

[56] References Cited

U.S. PATENT DOCUMENTS

D. 269,968 8/1983 Rodriguez Moura D13/13

2,292,395 8/1942 O'Brien 174/101
3,403,220 9/1968 Riedel et al. 138/162 X
4,589,449 5/1986 Bramwell 138/162

FOREIGN PATENT DOCUMENTS

2406327 6/1979 France 138/166
1021871 3/1966 United Kingdom 174/101
1374928 11/1974 United Kingdom 174/101

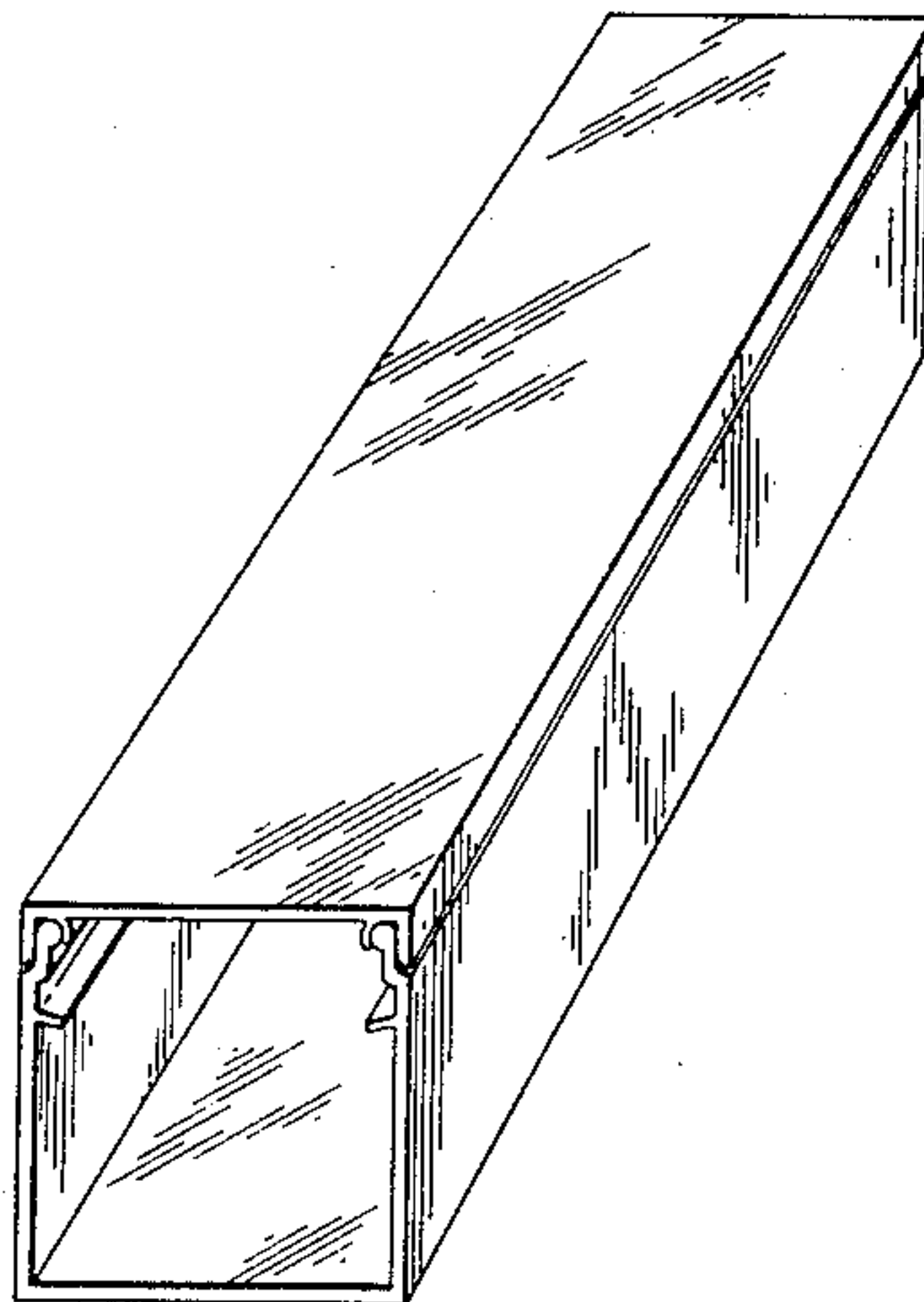
Primary Examiner—Susan J. Lucas
Assistant Examiner—C. E. Heflin
Attorney, Agent, or Firm—Andrus, Scales, Starke & Sawall

[57] CLAIM

The ornamental design for a wire channel, as shown and described.

DESCRIPTION

FIG. 1 is a perspective view of the wire channel taken from the side and one end showing my new design; FIG. 2 is an opposite end elevational view thereof. The trunking comprises an elongate channel member and a snap-fit cover member. The channel is secured to a substrate such as a wall, and services, such as electric and telephone cable, laid therein before the cover is fitted thereof.



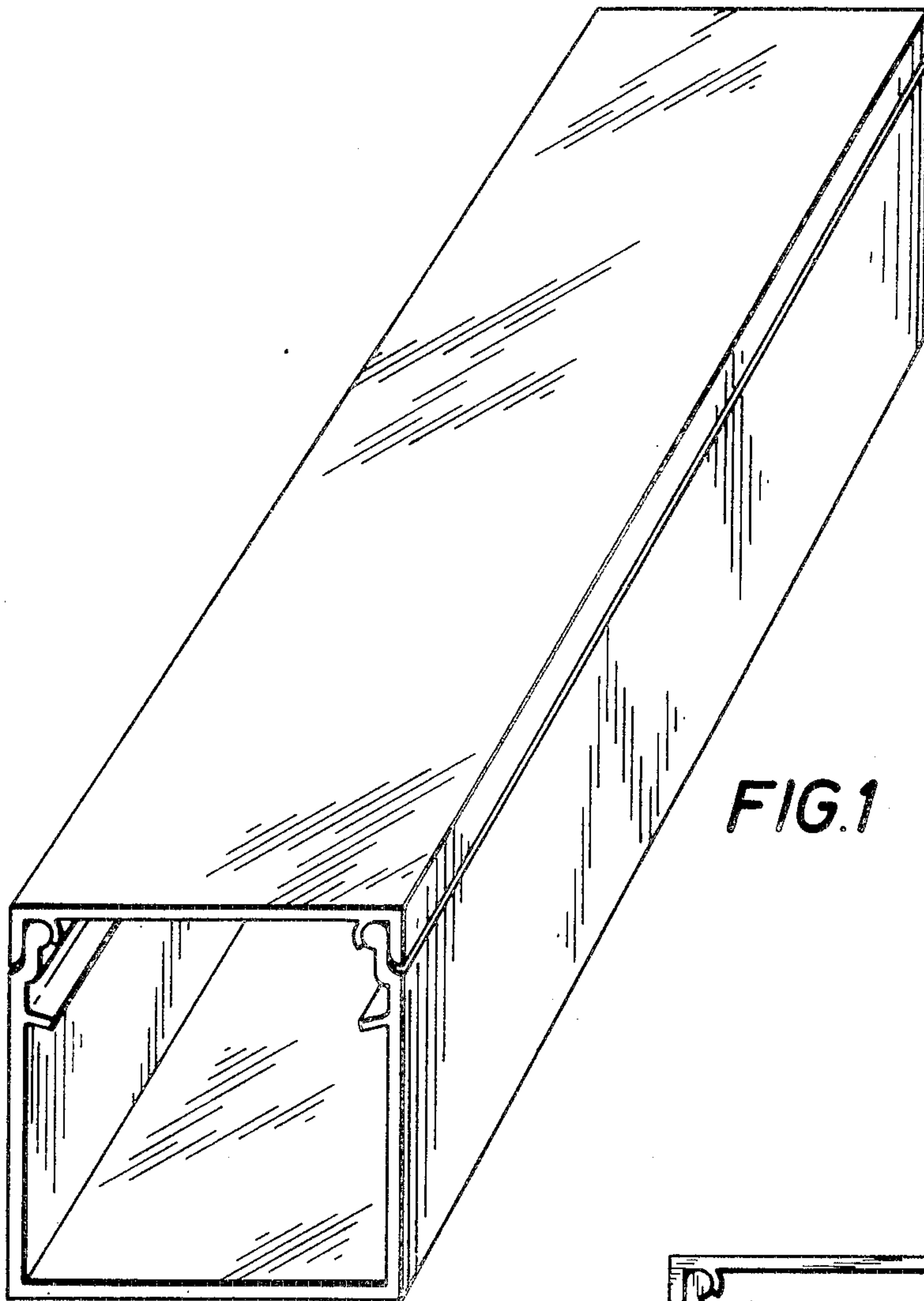


FIG. 2

