

[54] BATTERY POST CLAMP

[76] Inventors: Armand N. Chartrain, 115 Poinsettia Gardens, Ventura, Calif. 93004; Lee A. Genne, 1220 Johnson Dr., No. 111, Ventura, Calif. 93003

[**] Term: 14 Years

[21] Appl. No.: 638,278

[22] Filed: Aug. 6, 1984

[52] U.S. Cl. D13/10

[58] Field of Search D13/4-6, D13/7-10, 40-41, 99; 339/224-230 R, 231, 232, 234, 238-239, 240, 263 B; 429/178, 179, 180, 181, 182, 183, 184, 121

[56] References Cited

U.S. PATENT DOCUMENTS

Re. 26,486	11/1968	Haegert	339/263 B
1,808,775	6/1931	Hofman	339/239
1,814,156	7/1931	Hedges	D13/10
2,125,203	7/1938	Schanbacher	339/239
2,531,247	11/1950	Batlie	339/263 B

2,751,571	6/1956	Colyer	339/228
2,935,726	5/1960	Raymond	339/231
4,256,361	3/1981	Bell	339/228
4,367,008	1/1983	Piriz	339/230 R
4,555,159	11/1985	Chartrain et al.	339/239

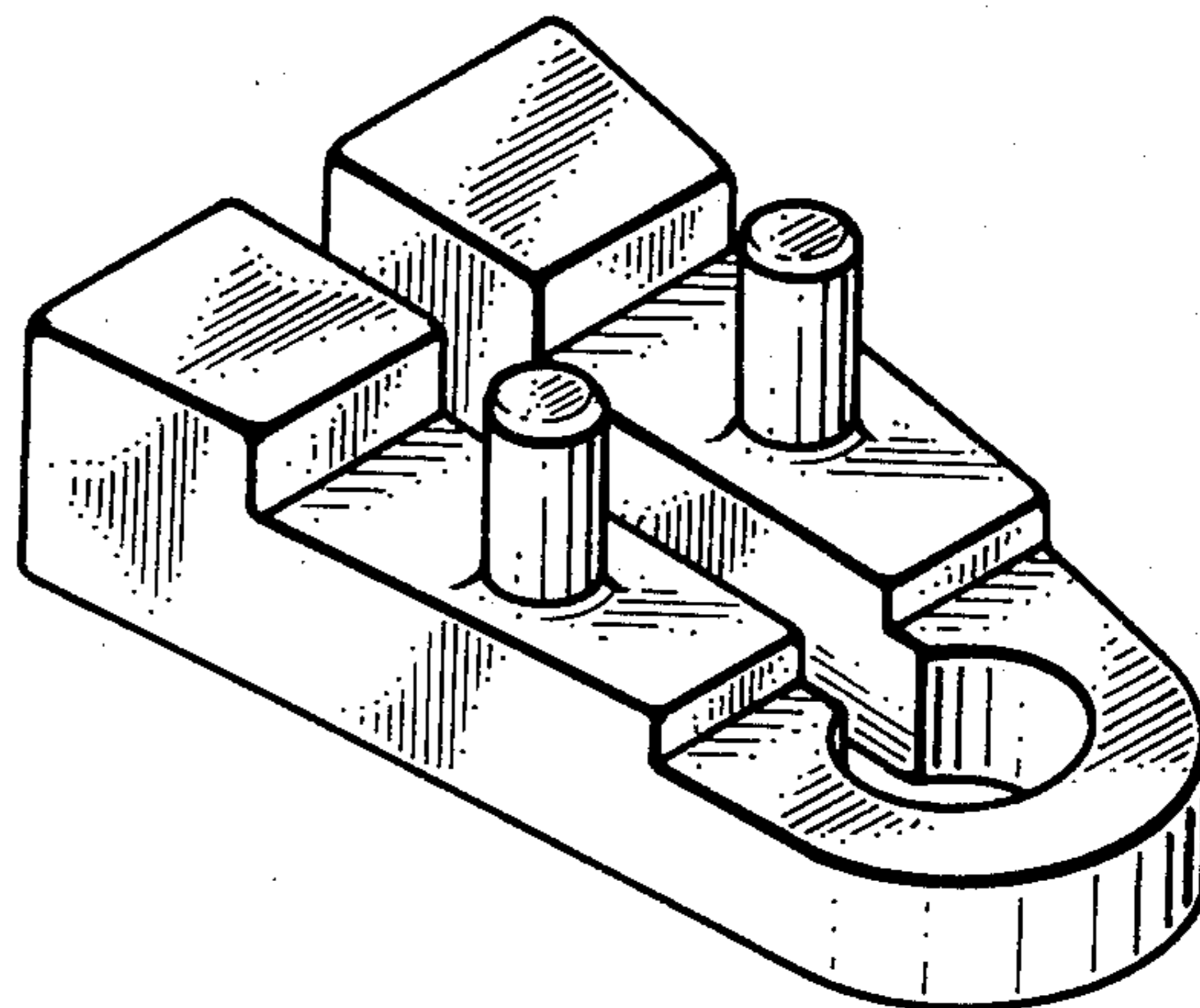
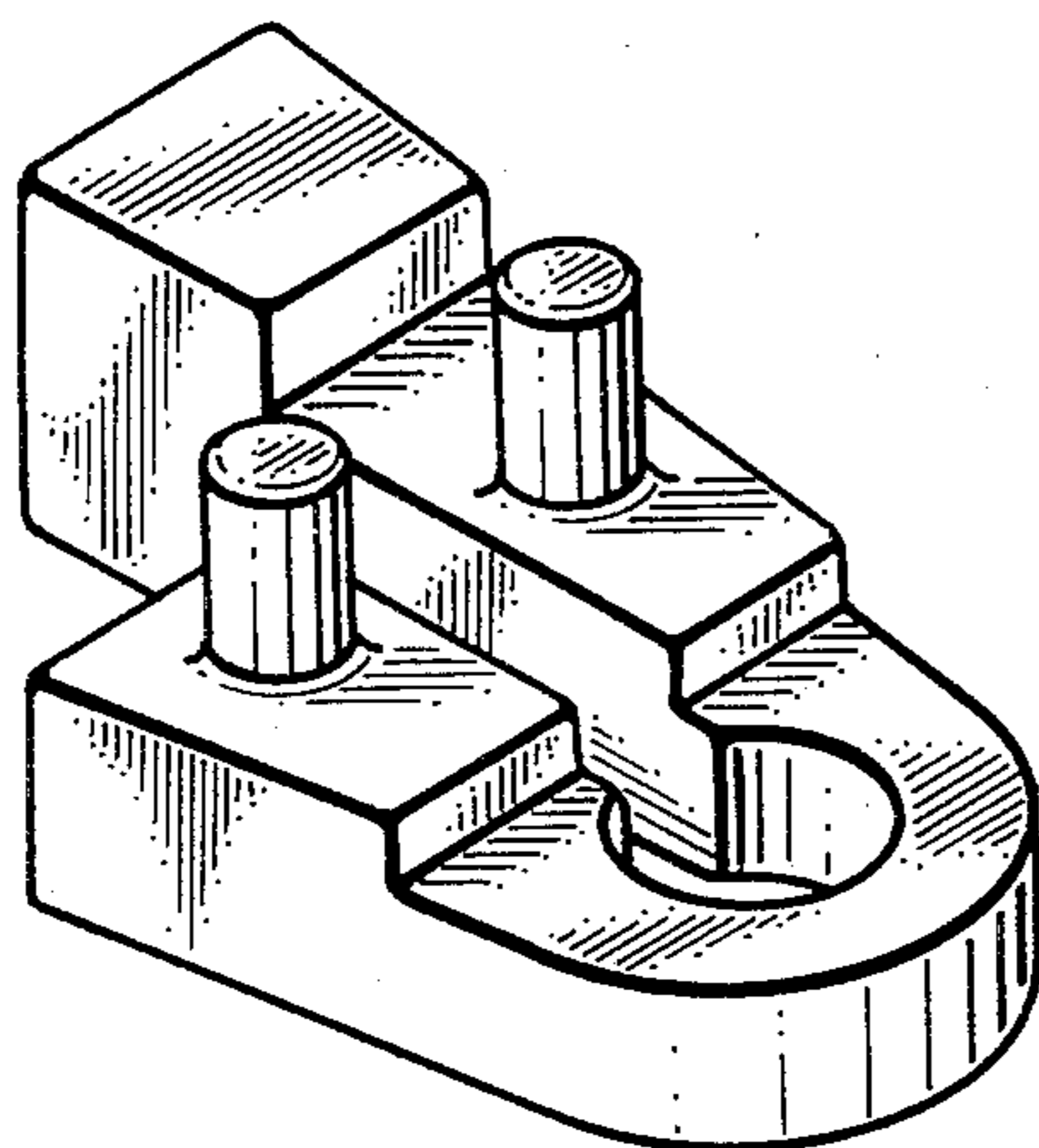
Primary Examiner—Wallace R. Burke
Assistant Examiner—Ruth E. Takemoto
Attorney, Agent, or Firm—Kenneth J. Hovet

[57] CLAIM

The ornamental design for a battery post clamp, substantially as shown and described.

DESCRIPTION

FIG. 1 is a perspective view of a battery post clamp showing our new design;
FIG. 2 is a front elevational view thereof;
FIG. 3 is a left side elevational view thereof;
FIG. 4 is a right side elevational view thereof;
FIG. 5 is a top plan view thereof;
FIG. 6 is a bottom plan view thereof;
FIG. 7 is a rear elevational view thereof;
FIG. 8 is a perspective view of a second embodiment thereof.



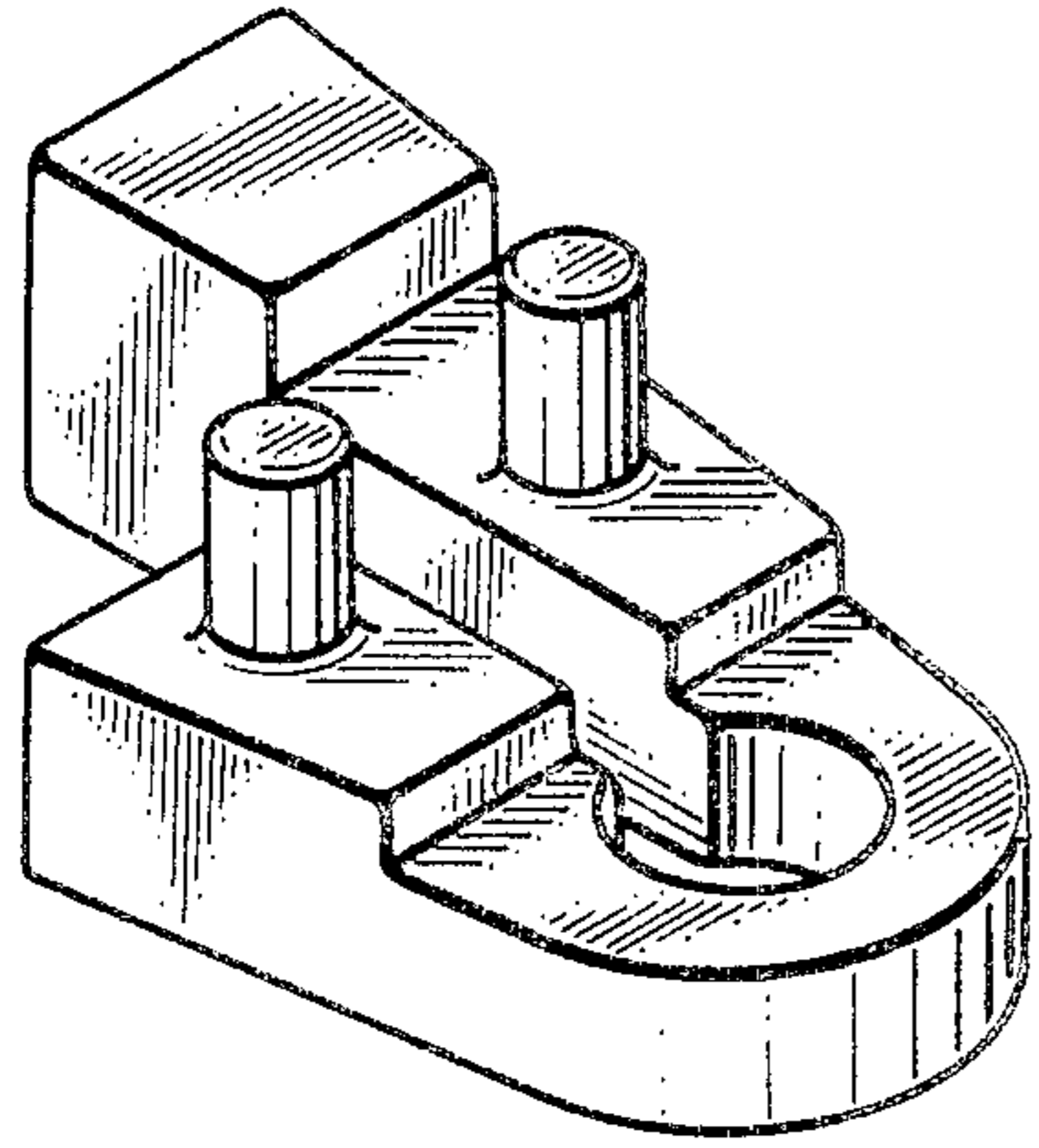


Fig. 1.

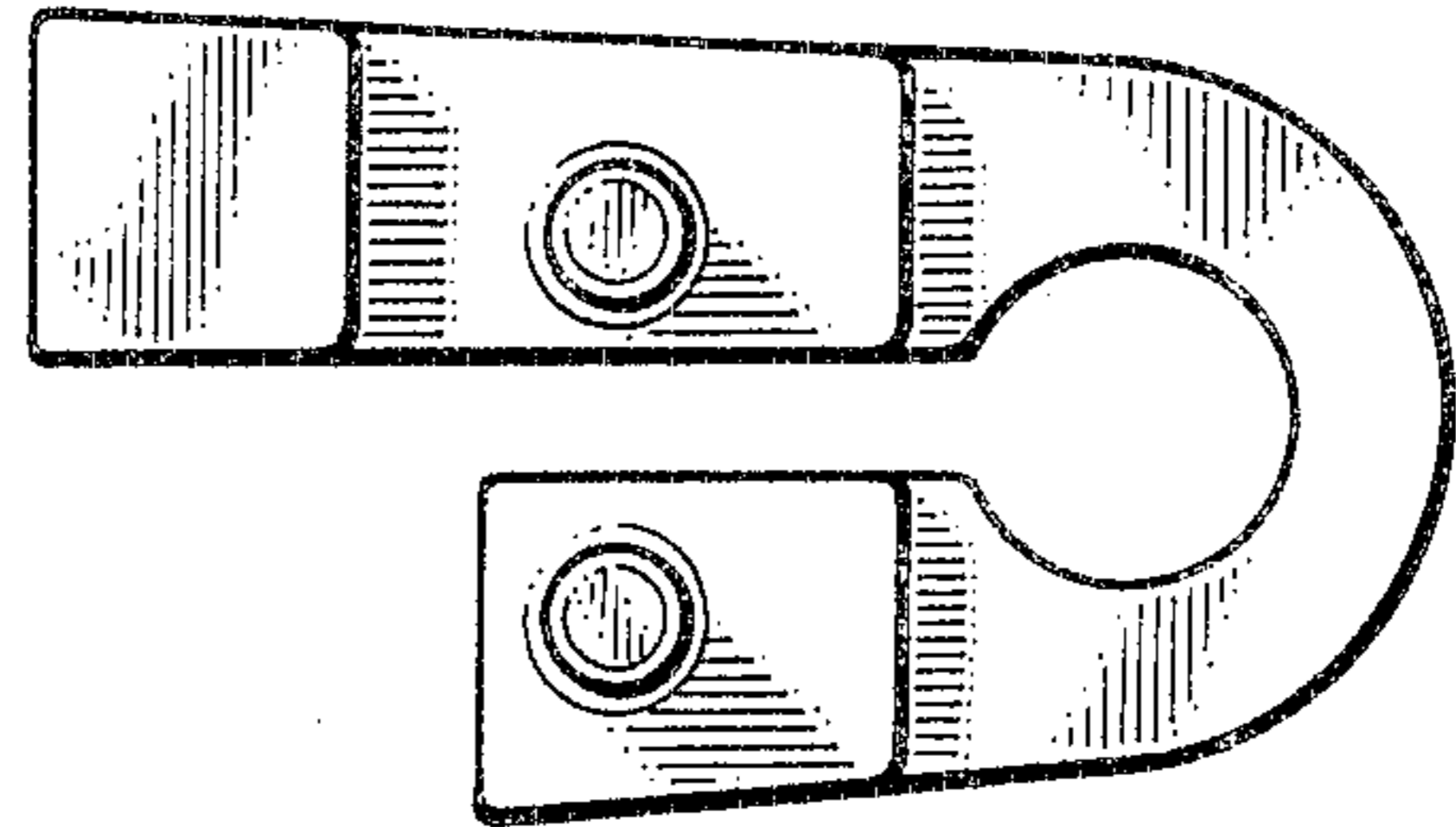


Fig. 2.

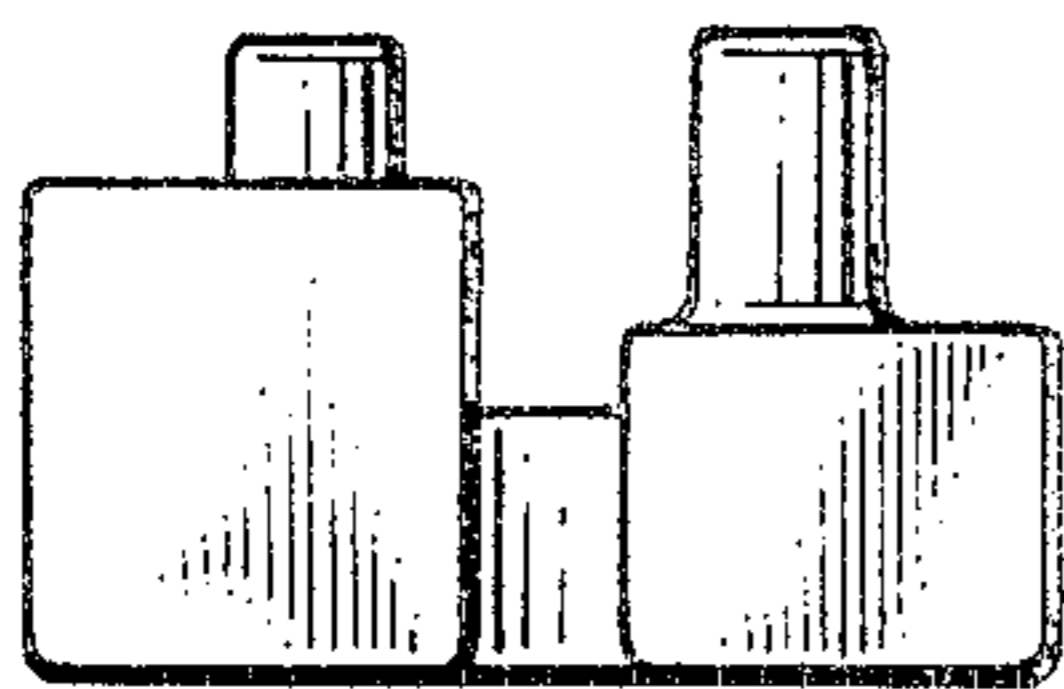


Fig. 3.

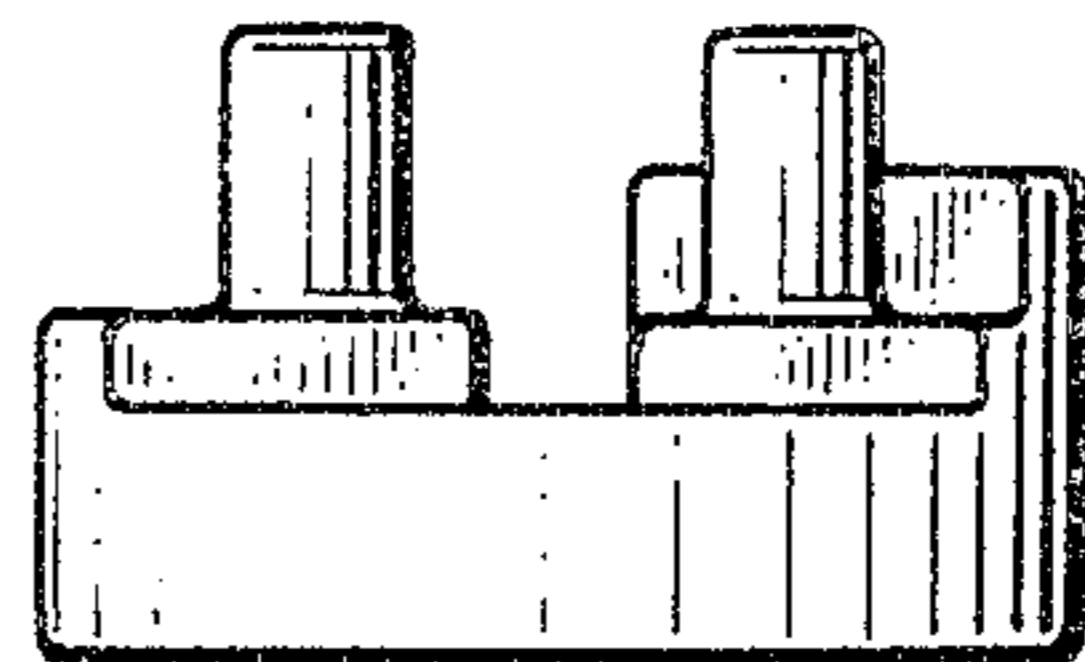


Fig. 4.

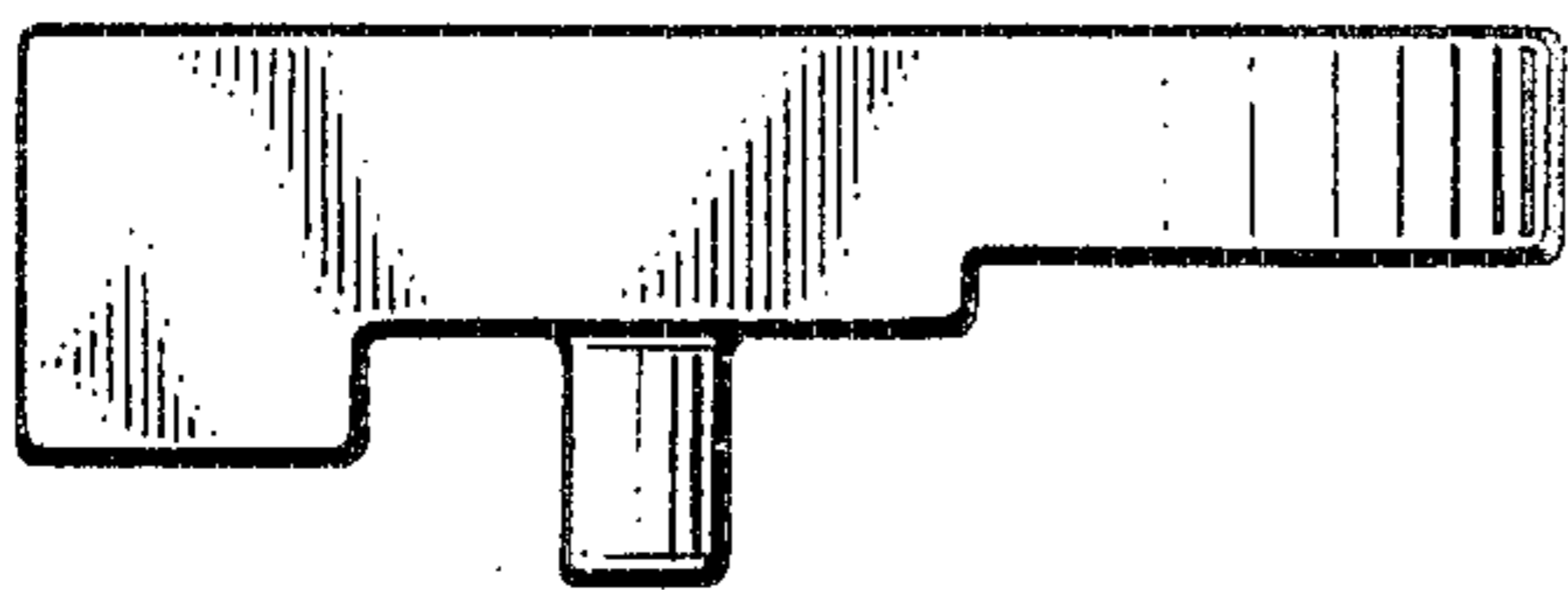


Fig. 5.

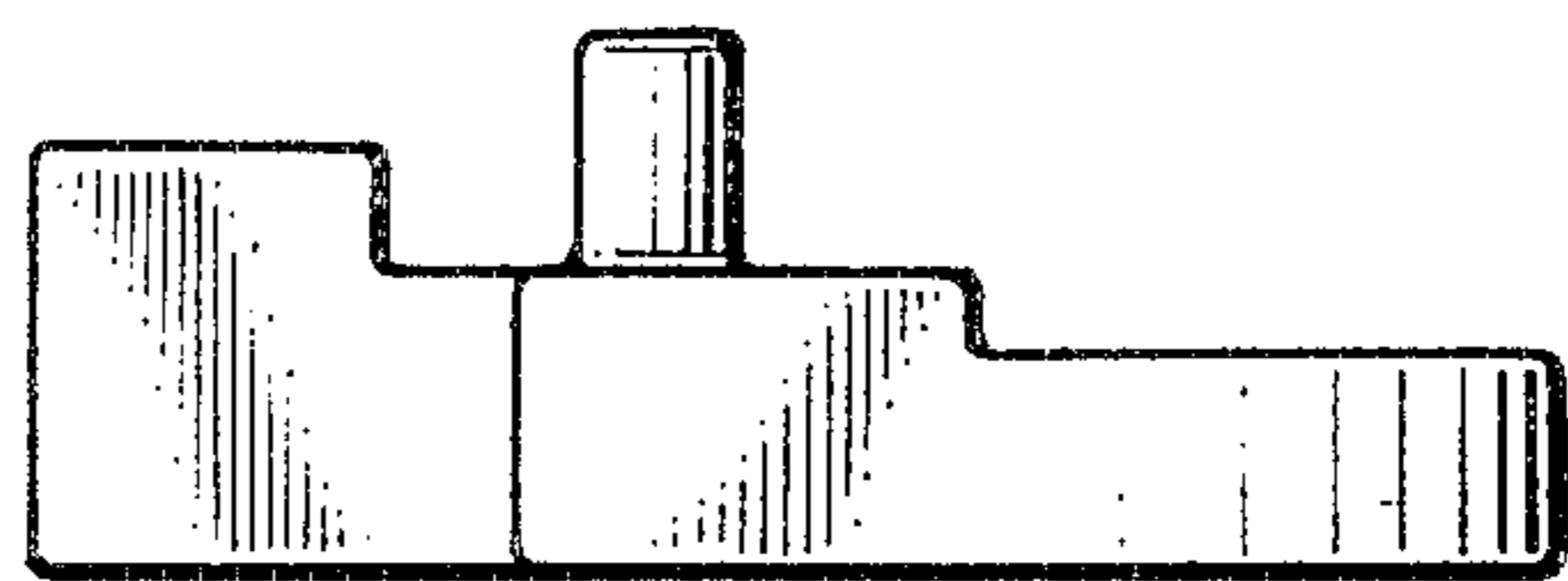


Fig. 6.

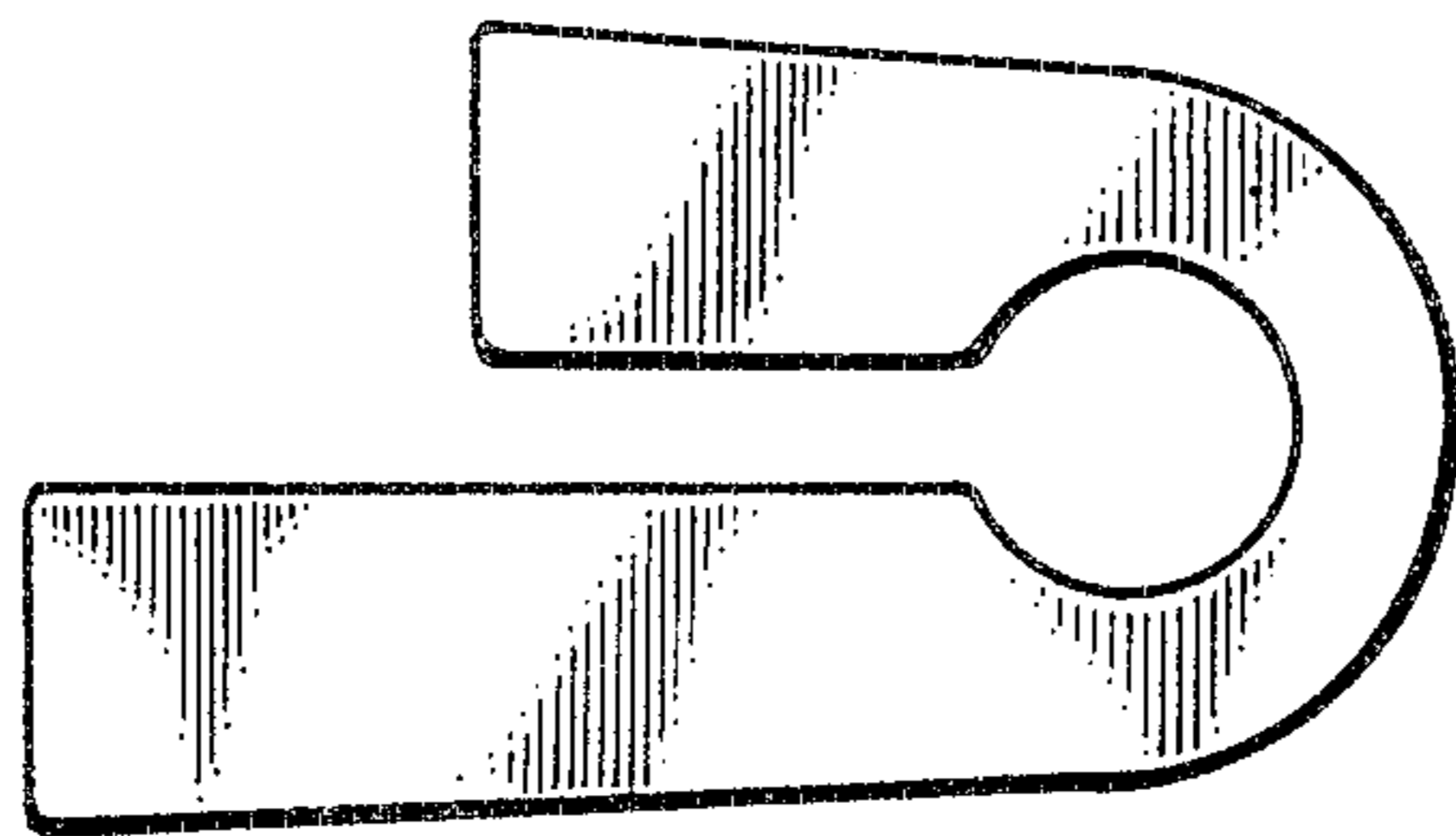


Fig. 7.

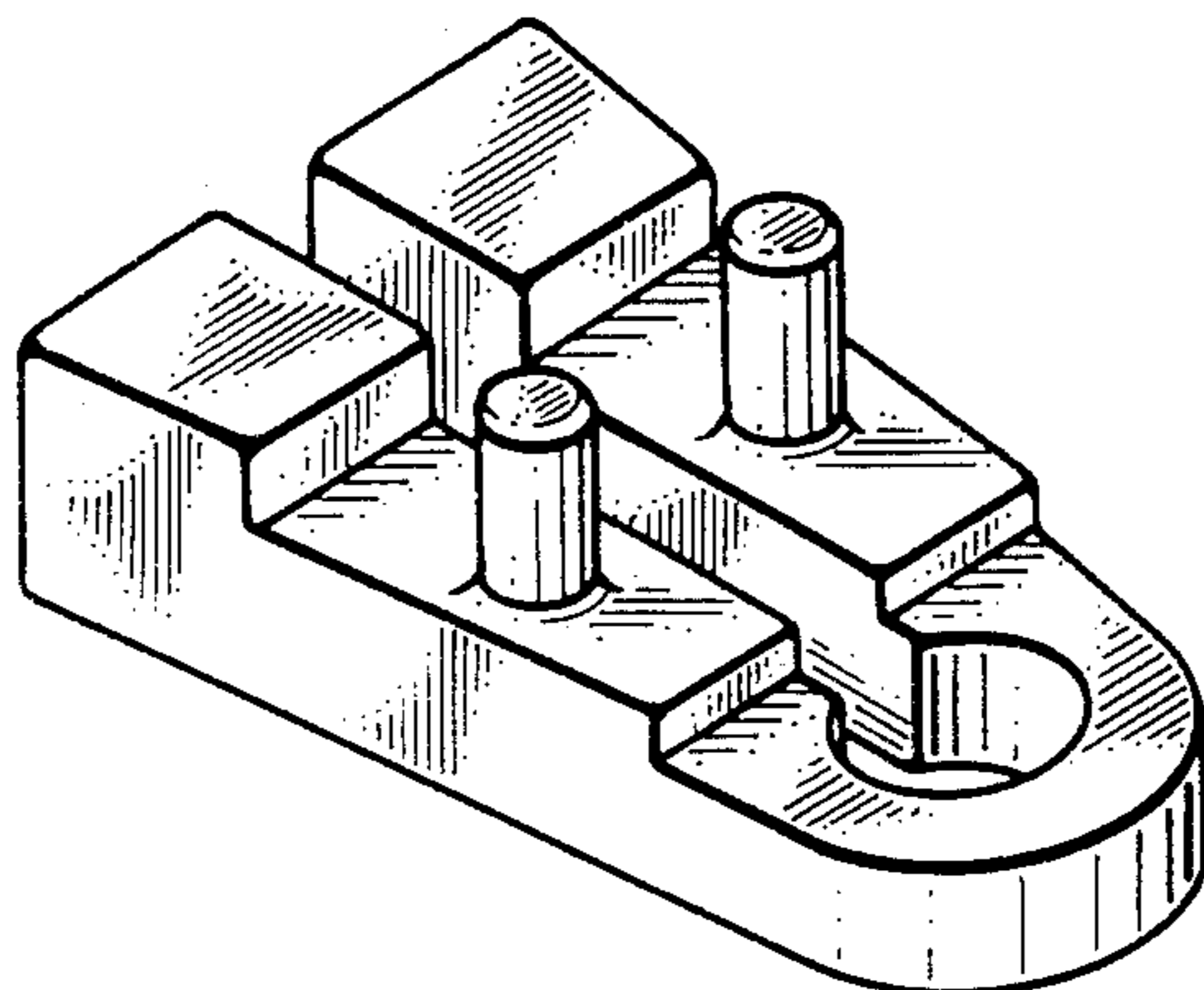


Fig. 8.