

[54] COMBINED CHARGER AND STORAGE
BASE FOR A HAND-HELD VACUUM
CLEANER

[75] Inventor: Robert Osit, Arnold, Md.

[73] Assignee: Black & Decker, Inc., Newark, Del.

[**] Term: 14 Years

[21] Appl. No.: 681,325

[22] Filed: Dec. 13, 1984

[52] U.S. Cl. D13/5

[58] Field of Search D13/5-6,
D13/10; 320/2, 3, 4, 5; 15/DIG. 1; 339/119 C

[56] References Cited

U.S. PATENT DOCUMENTS

D. 215,303	9/1969	Carpenter	D13/6
3,293,528	12/1966	Rosen et al.	320/2
3,659,180	4/1972	Urbush	320/2

4,225,814	9/1980	Gantz et al.	339/119 C
4,536,694	8/1985	McCarty et al.	320/2

Primary Examiner—James M. Gandy
Assistant Examiner—Ruth E. Takemoto
Attorney, Agent, or Firm—Finnegan, Henderson,
Farabow, Garrett & Dunner

[57] CLAIM

The ornamental design for a combined charger and storage base for a hand-held vacuum cleaner, as shown and described.

DESCRIPTION

FIG. 1 is a perspective view of a combined charger and storage base for a hand-held vacuum cleaner showing my new design;
FIG. 2 is a top plan view thereof;
FIG. 3 is a side elevational view thereof;
FIG. 4 is a front elevational view thereof;
FIG. 5 is a rear elevational view thereof; and
FIG. 6 is a bottom plan view thereof.

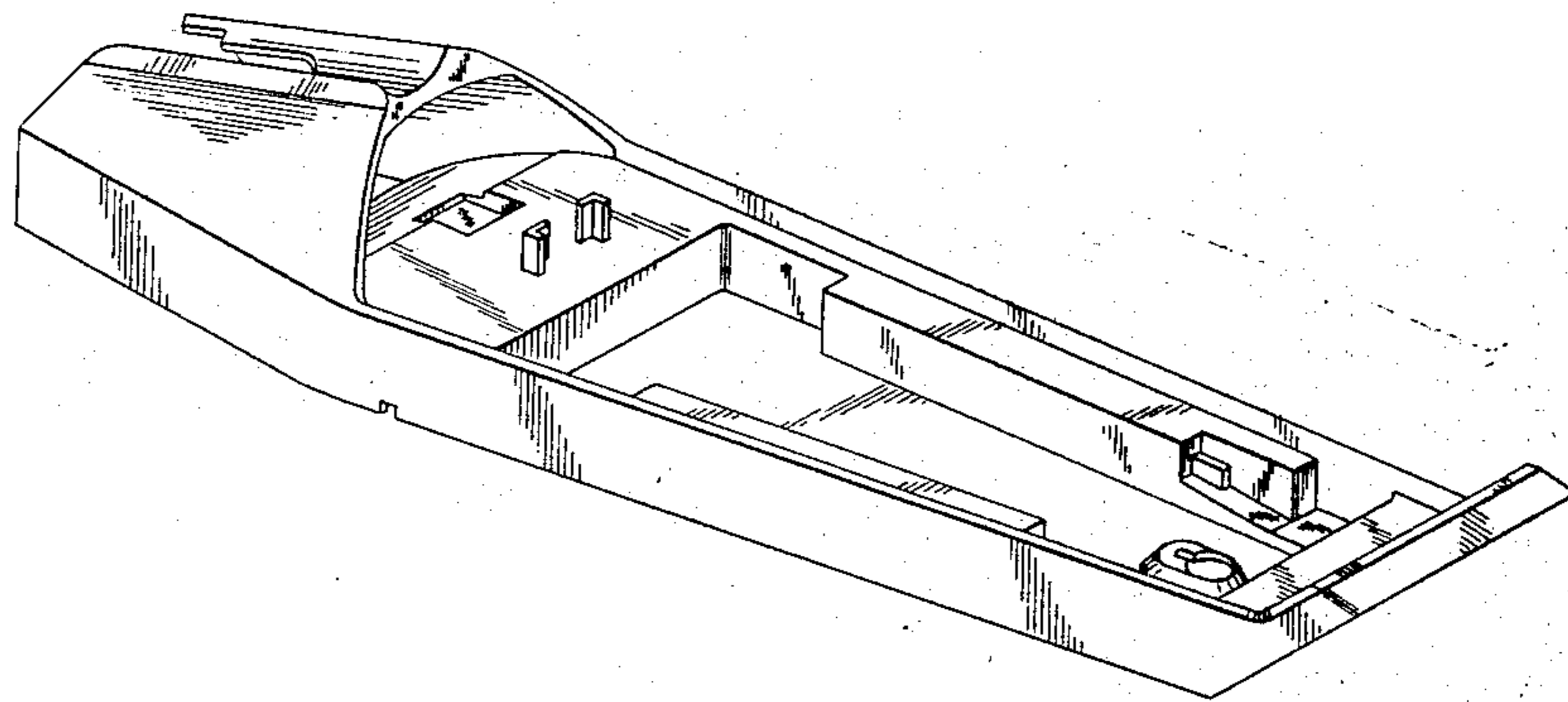


FIG. 1

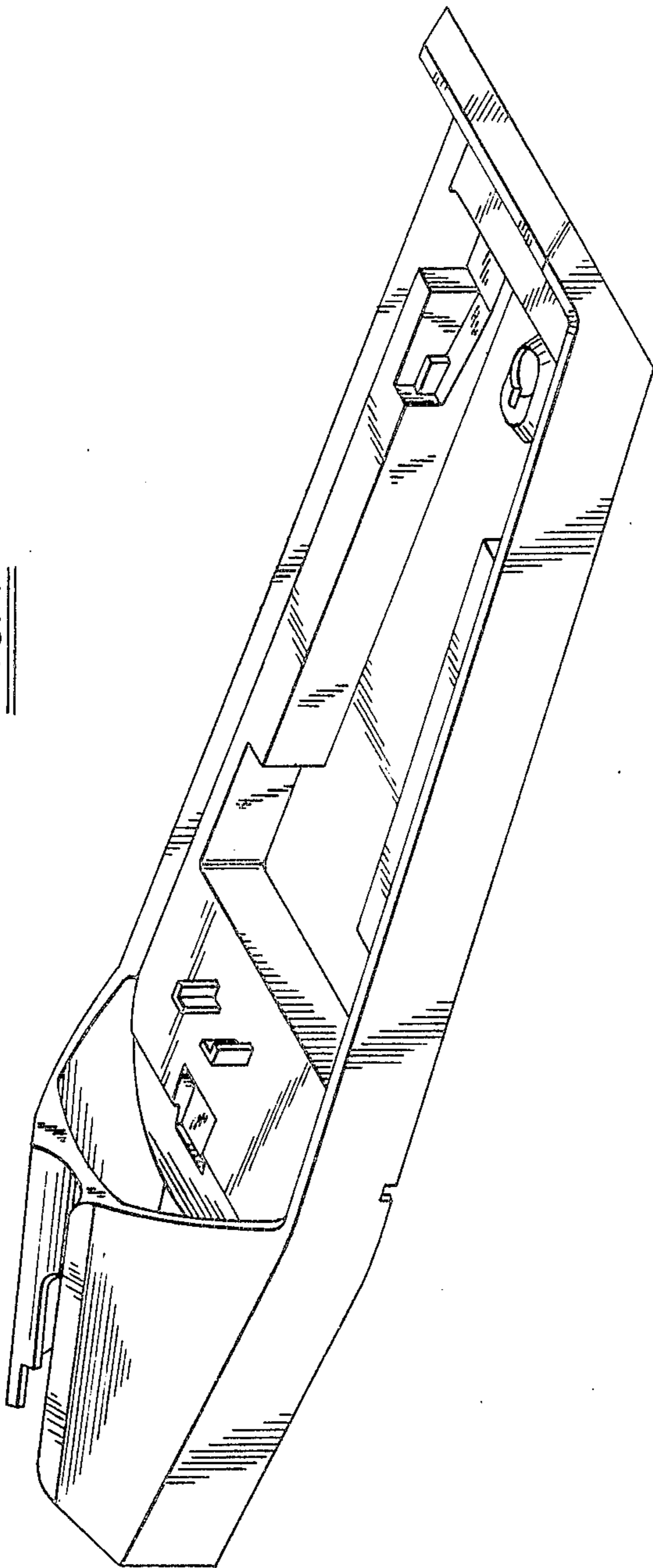


FIG. 2

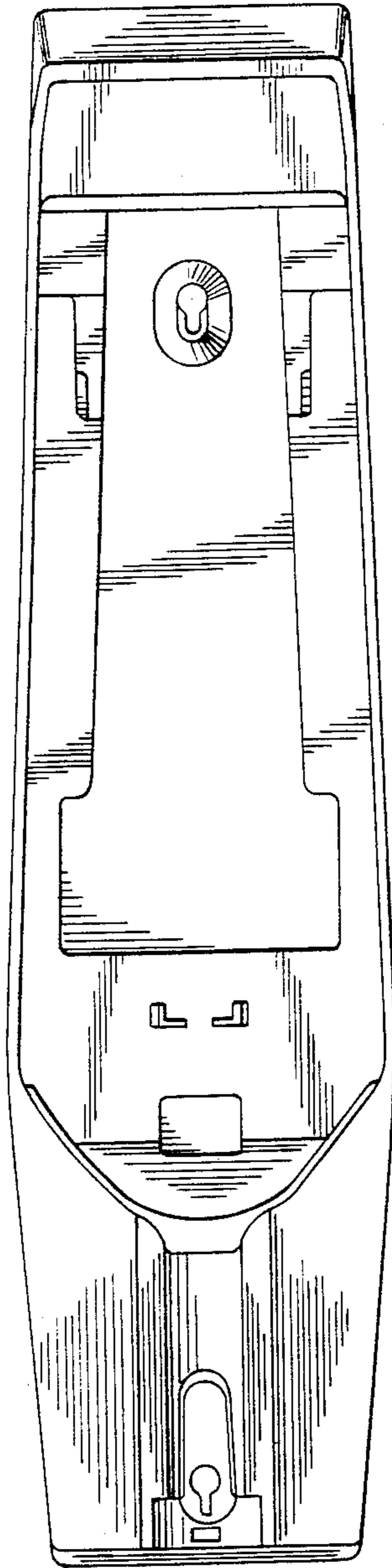


FIG. 3

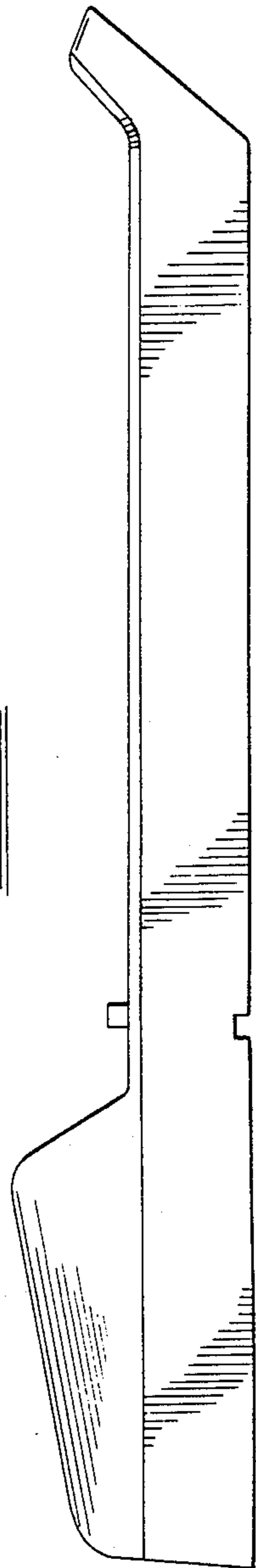


FIG. 4

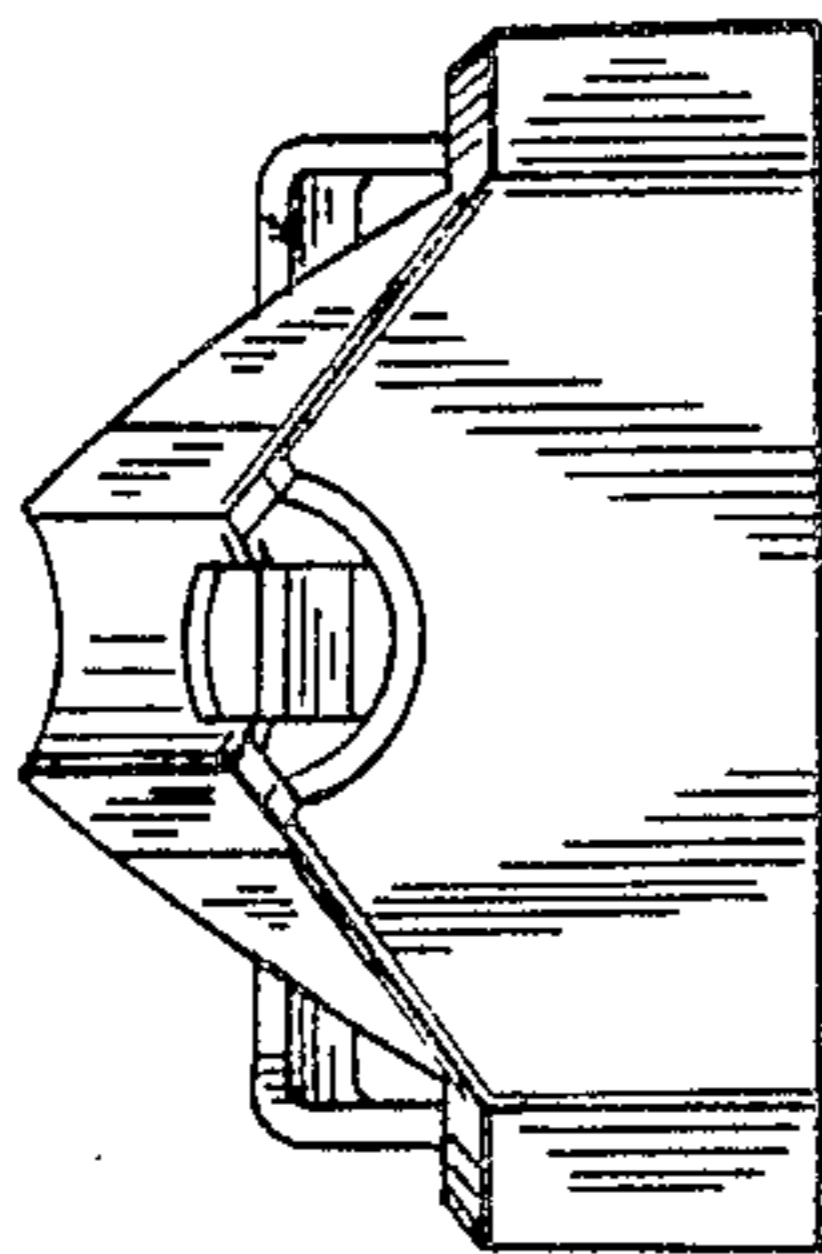


FIG. 5

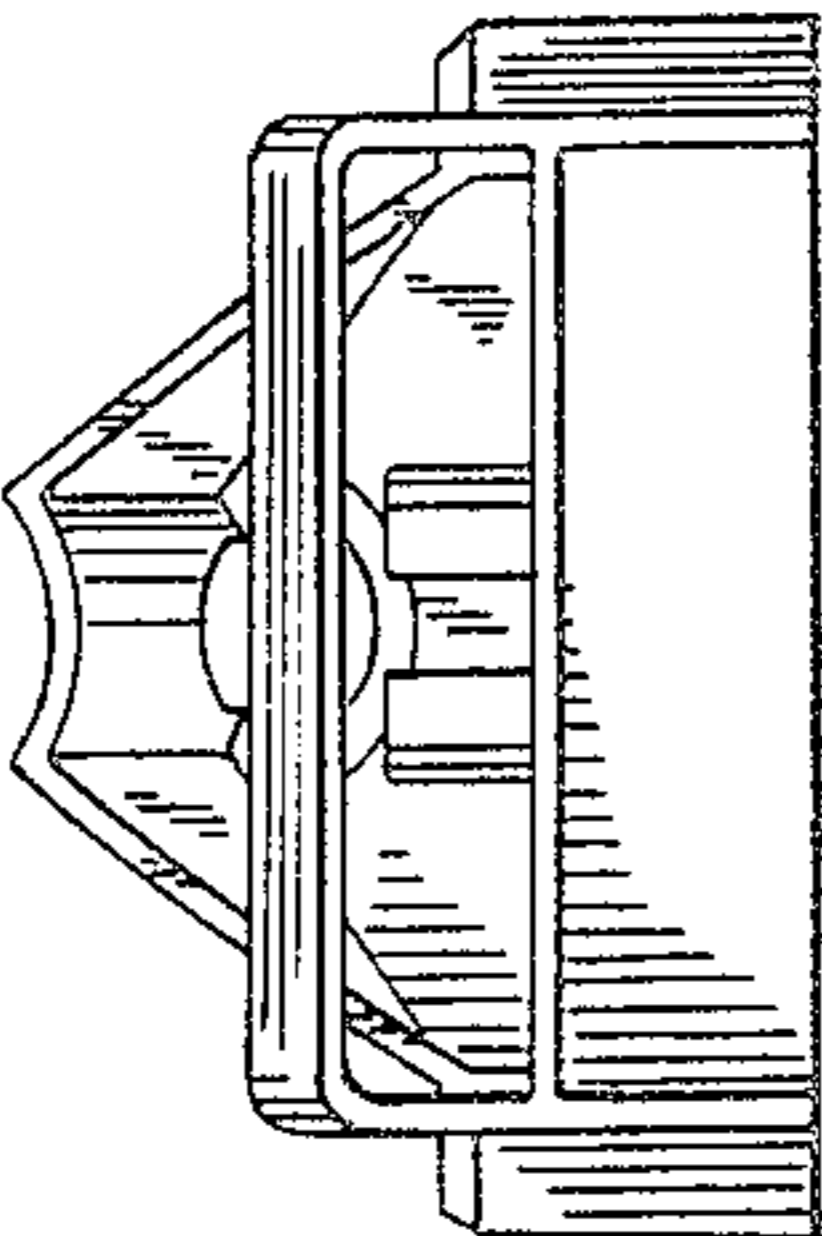


FIG. 6

