

[54] **RADIATOR GRILLE**

[75] Inventor: **Yoshihiro Hamasaki, Toyota, Japan**

[73] Assignee: **Toyoda Jidosha Kabushiki Kaisha, Toyota, Japan**

[**] Term: **14 Years**

[21] Appl. No.: **739,454**

[22] Filed: **May 30, 1985**

[52] U.S. Cl. **D12/163**

[58] Field of Search **D12/163; D25/87, 88, D25/91; 180/68.6**

[56] **References Cited**

U.S. PATENT DOCUMENTS

D. 274,234 6/1984 Koyanagi D12/163

OTHER PUBLICATIONS

Nissan Stanza brochure, front cover, Front Grille of Nissan Stanza.

Primary Examiner—James M. Gandy
Attorney, Agent, or Firm—Cushman, Darby & Cushman

[57] **CLAIM**

The ornamental design for a radiator grille, as shown and described.

DESCRIPTION

FIG. 1 is a perspective view of a radiator grille showing my new design;

FIG. 2 is a front elevation view;

FIG. 3 is a rear elevation view;

FIG. 4 is a top plan view;

FIG. 5 is a bottom plan view;

FIG. 6 is a right side elevation view;

FIG. 7 is a left side elevation view; and

FIG. 8 is a perspective view thereof on a reduced scale, it being understood that the broken lines are for illustrative purposes only and form no part of the claimed design.

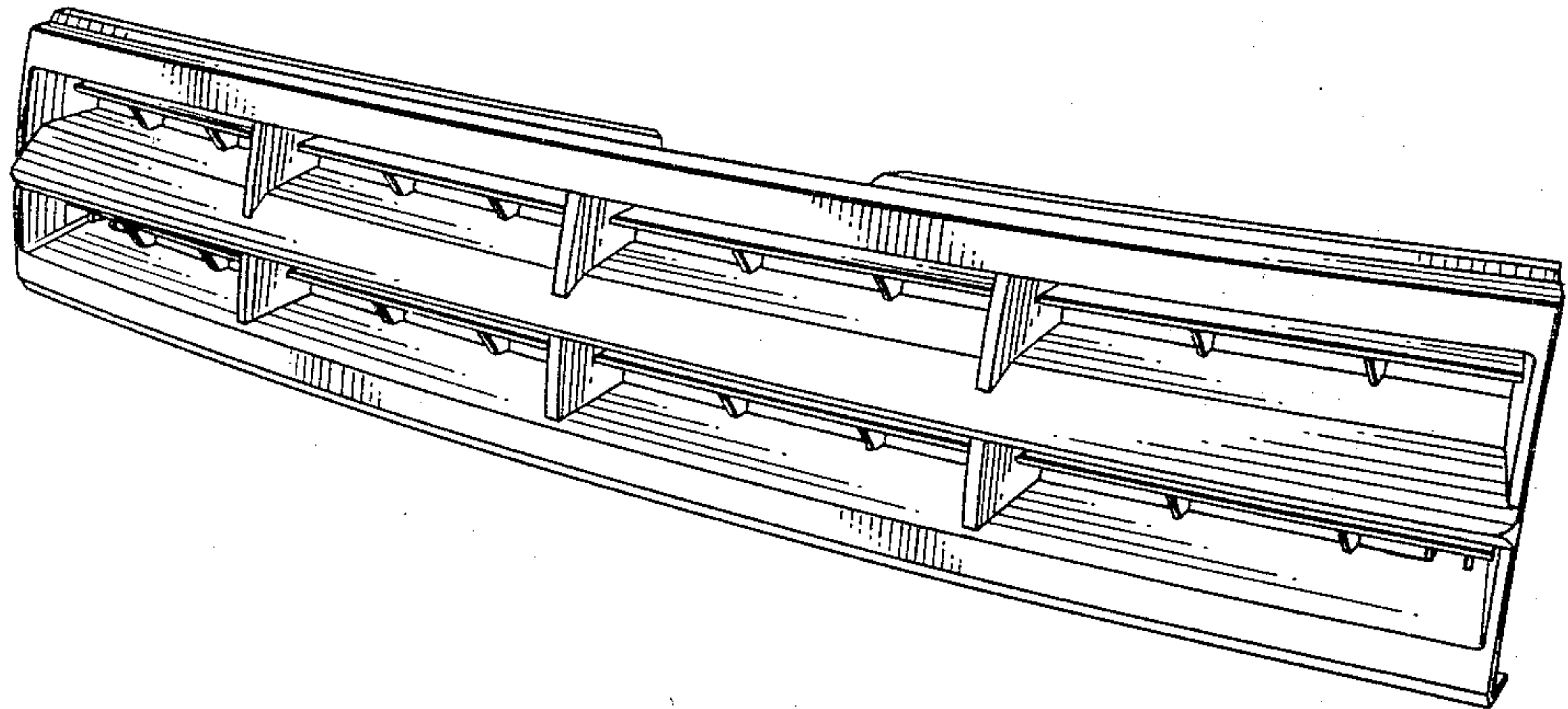


Fig. 1

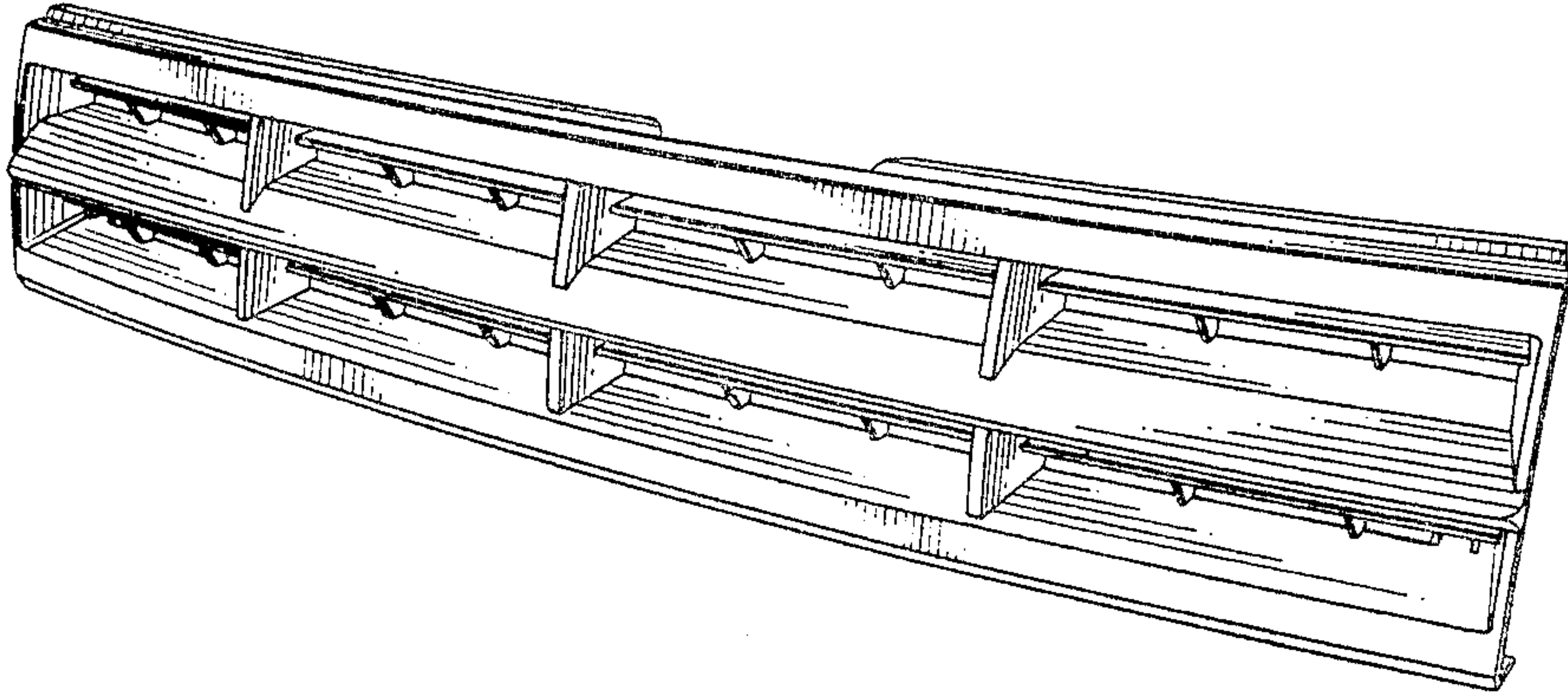


Fig. 2

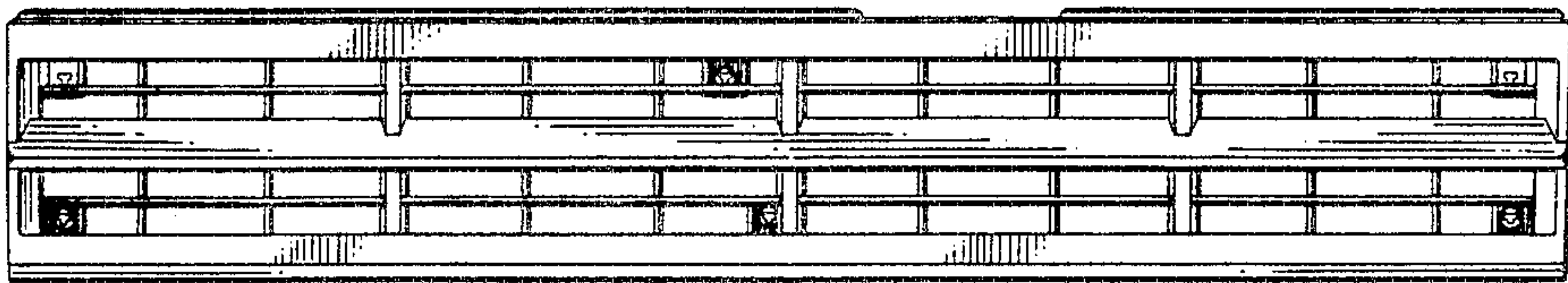


Fig. 3

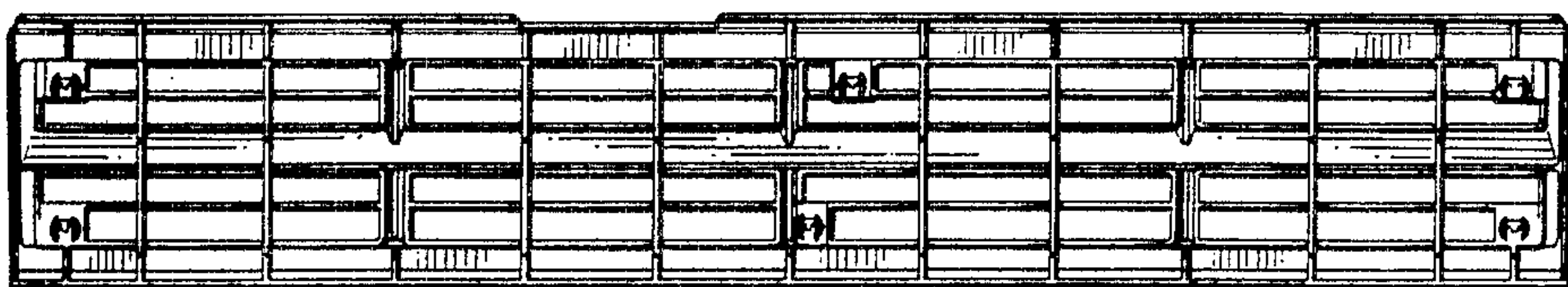


Fig.4

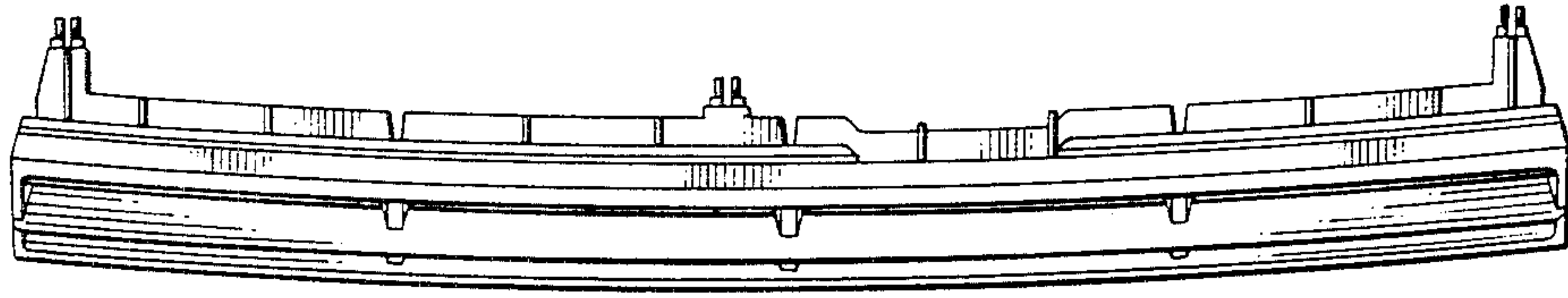


Fig.5

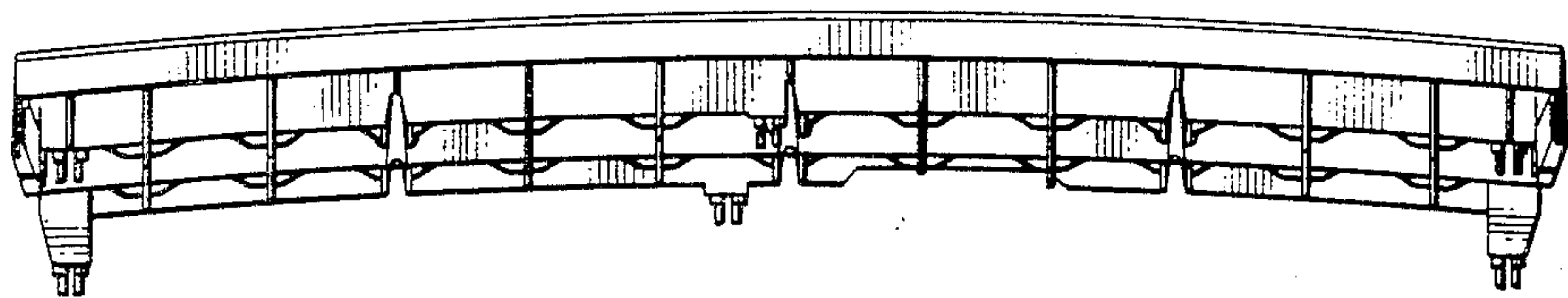


Fig.6

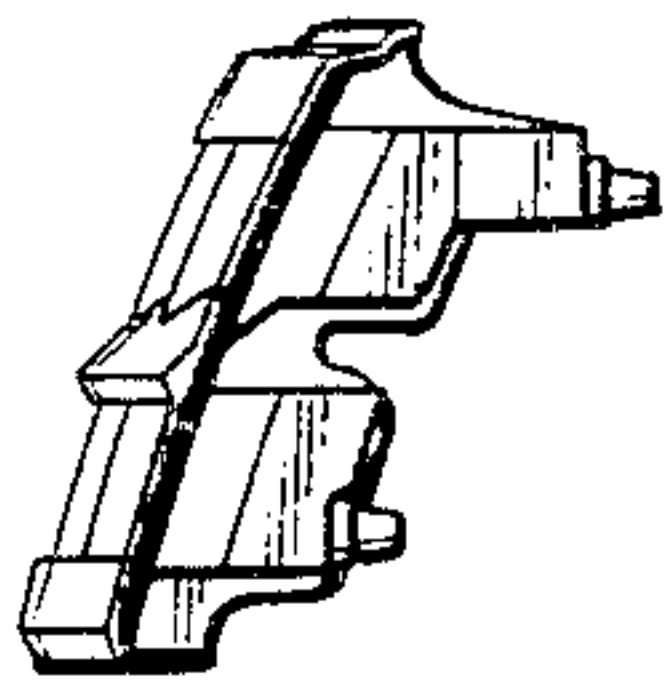


Fig.7

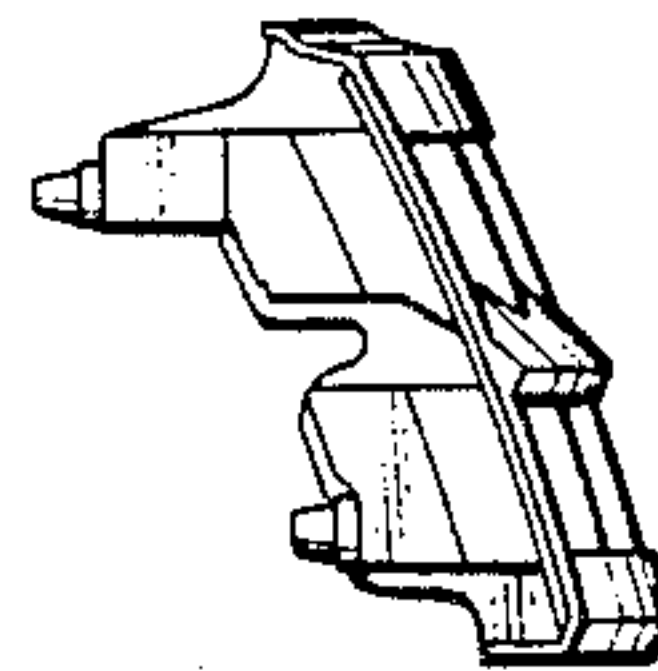


Fig. 8

