

[54] CLASP FOR WRIST WATCH BAND  
[75] Inventors: Akira Inoue, Saitama; Hiroshi Watanabe, Tokyo, both of Japan

[73] Assignee: Citizen Watch Co., Ltd., Tokyo, Japan

[\*\*] Term: 14 Years

[21] Appl. No.: 711,458

[22] Filed: Mar. 13, 1985

[30] Foreign Application Priority Data

Dec. 26, 1984 [JP] Japan ..... 59-53841

[52] U.S. Cl. .... D11/237; D11/230

[58] Field of Search ..... D11/200, 201, 94, 230-234, D11/236, 237; 63/2; 24/163 R, 163 K, 170, 185, 188, 191-193, 197, 199

[56] References Cited

U.S. PATENT DOCUMENTS

D. 28,505 4/1898 Noble ..... D11/237  
D. 54,990 4/1920 Shields ..... D11/230

D. 77,918 3/1929 Slote ..... D11/237  
D. 147,218 7/1947 Hampel ..... D11/230  
D. 157,817 3/1950 White ..... D11/237  
D. 217,534 5/1970 Aigner ..... D11/230

Primary Examiner—Louis S. Zarfes  
Attorney, Agent, or Firm—Koda and Androlia

[57] CLAIM

The ornamental design for a clasp for wrist watch band, as substantially shown and described.

DESCRIPTION

FIG. 1 is a front elevational view of a clasp for wrist watch band showing our new design;  
FIG. 2 is a rear elevational view thereof;  
FIG. 3 is a right side elevational view thereof and the other side is identical;  
FIG. 4 is a cross sectional view taken along the line A—A of FIG. 1;  
FIG. 5 is a top plan view of the clasp for wrist watch band;  
FIG. 6 is a bottom plan view thereof; and  
FIG. 7 is a perspective view thereof.

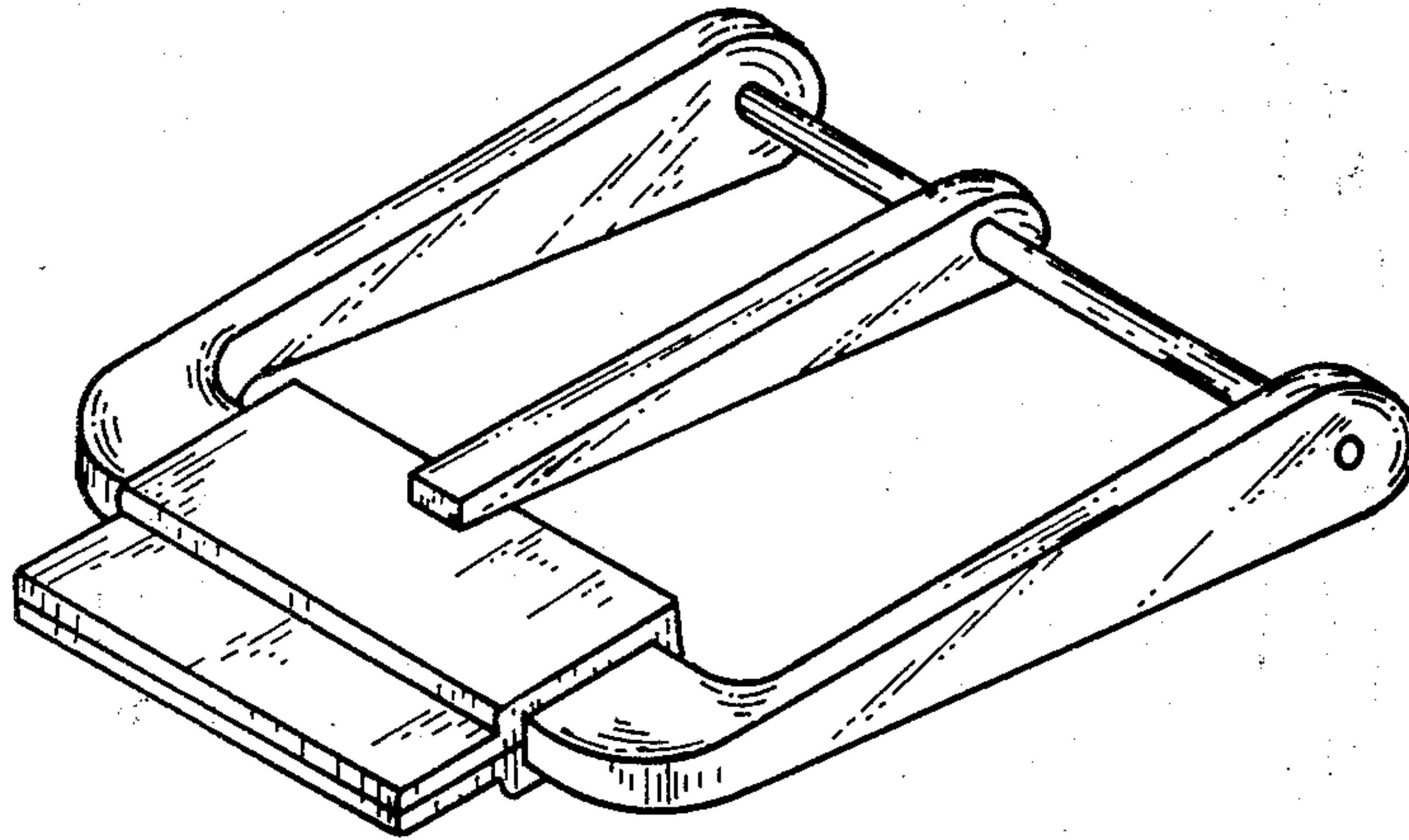


FIG. 1

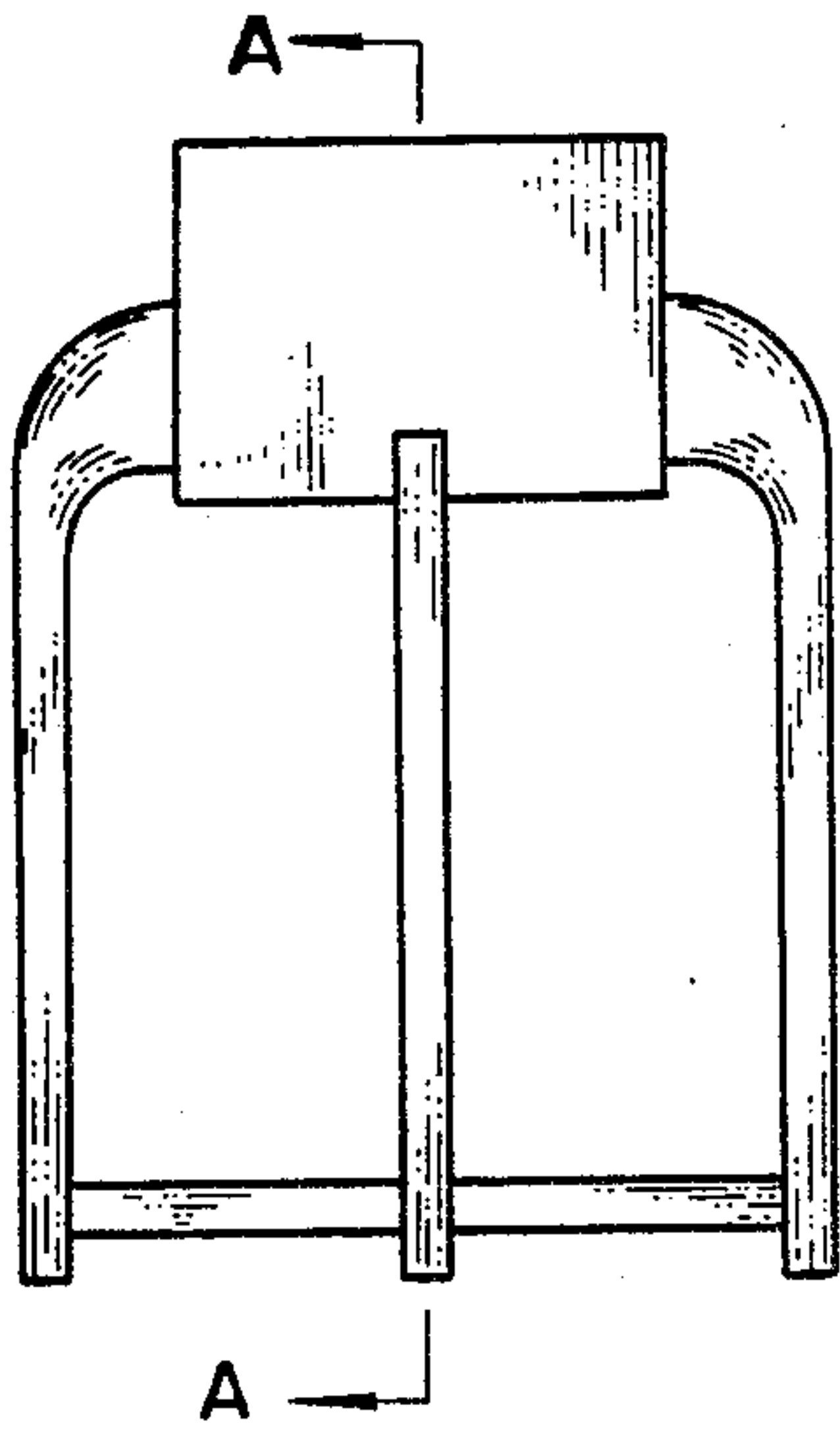


FIG. 2

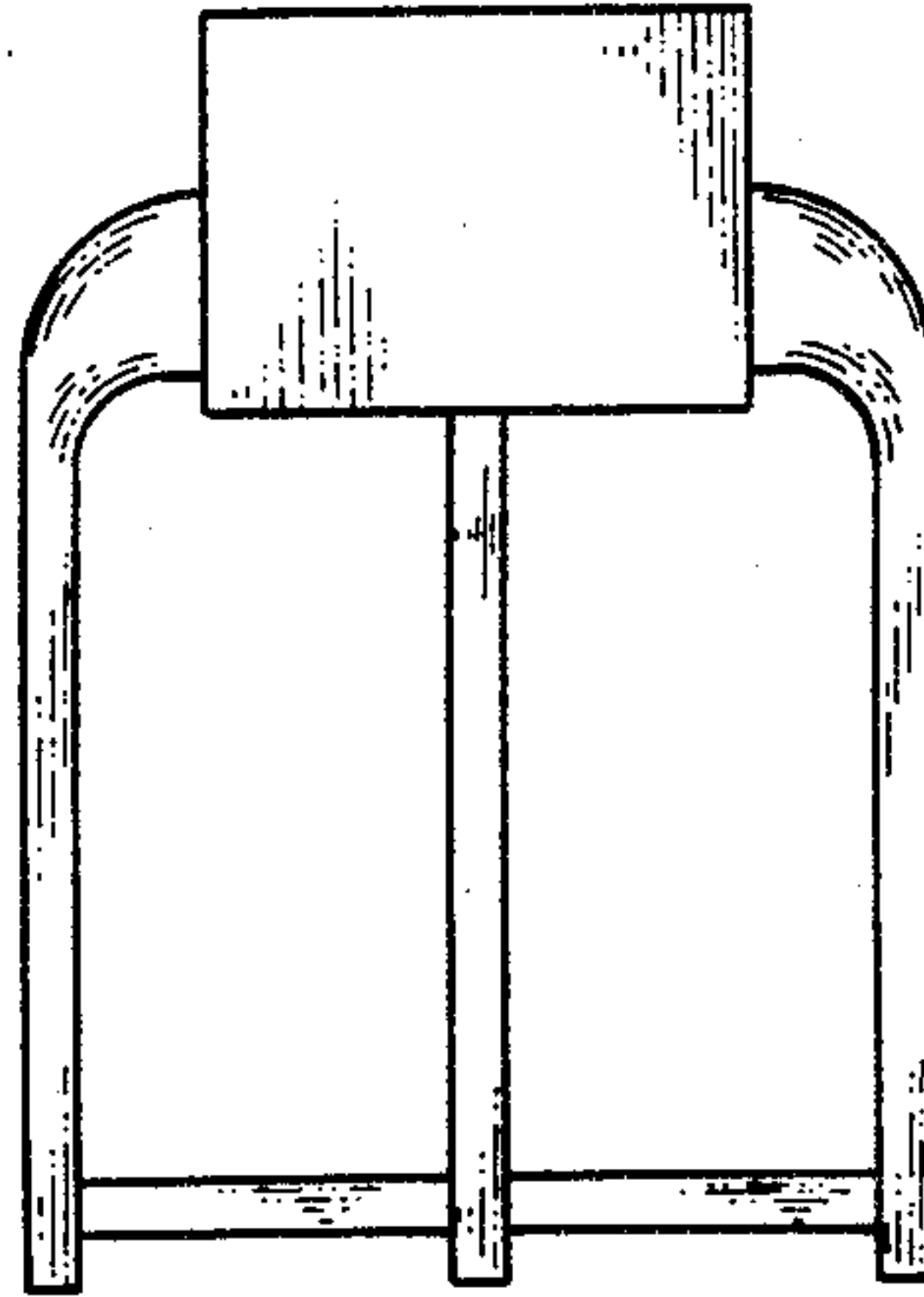


FIG. 3



FIG. 4



FIG.5

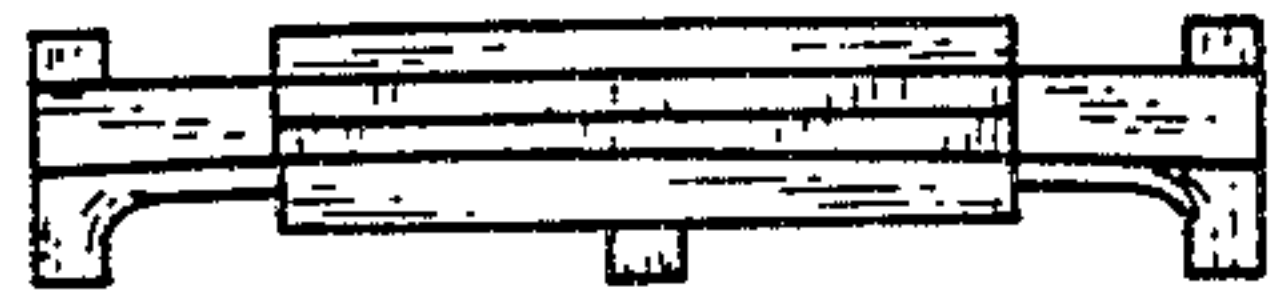


FIG.6



FIG.7

