

[54] HANGING TAB FOR A STORAGE CONTAINER CLOSURE

[75] Inventors: Robert H. C. M. Daenen, Hekelgem; Victor J. J. Cautereels, Zandhoven, both of Belgium

[73] Assignee: Dart Industries Inc., Northbrook, Ill.

[**] Term: 14 Years

[21] Appl. No.: 594,604

[22] Filed: Mar. 29, 1984

[52] U.S. Cl. D9/436

[58] Field of Search D9/436, 443; D7/391, D7/76; 206/806; 220/355; 150/55

[56] References Cited

U.S. PATENT DOCUMENTS

D. 200,447	2/1965	Lerner	D9/443
D. 212,678	11/1968	Swett	D7/76 X
D. 244,742	6/1977	Daenen	D7/76 X
D. 257,933	1/1981	Conti	D7/391 X
3,189,185	6/1965	Grasso	D9/436 X
3,240,384	3/1966	Lerner	206/806 X

3,487,972	1/1970	Swett	220/355 X
3,526,334	9/1970	Ashton et al.	150/55 X

Primary Examiner—Bernard Ansher
Assistant Examiner—Linda Titolo
Attorney, Agent, or Firm—John A. Doninger

[57] CLAIM

The ornamental design for a hanging tab for a storage container closure, as shown and described.

DESCRIPTION

FIG. 1 is a fragmentary top plan view of a hanging tab for a storage container closure, showing our new design, the broken lines indicating a container closure are shown for illustrative purposes only;
FIG. 2 is an enlarged top plan view thereof;
FIG. 3 is a front elevational view thereof;
FIG. 4 is a left side elevational view thereof;
FIG. 5 is a bottom plan view thereof;
FIG. 6 is a cross-sectional view thereof taken on line 6—6 of FIG. 1;
FIG. 7 is a cross-sectional view thereof taken on line 7—7 of FIG. 1; and
FIG. 8 is a rear-elevational view thereof.

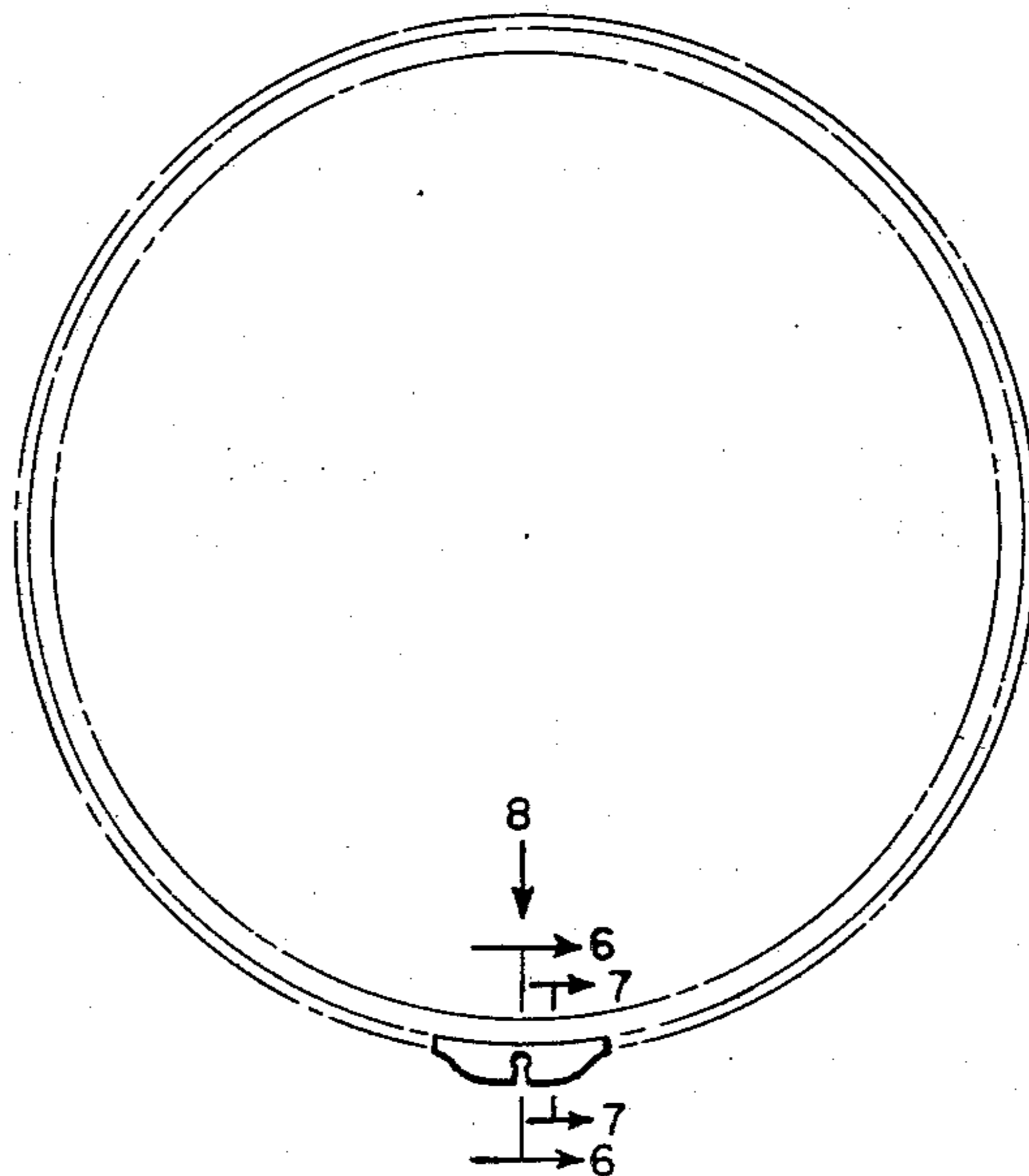


FIG. 1

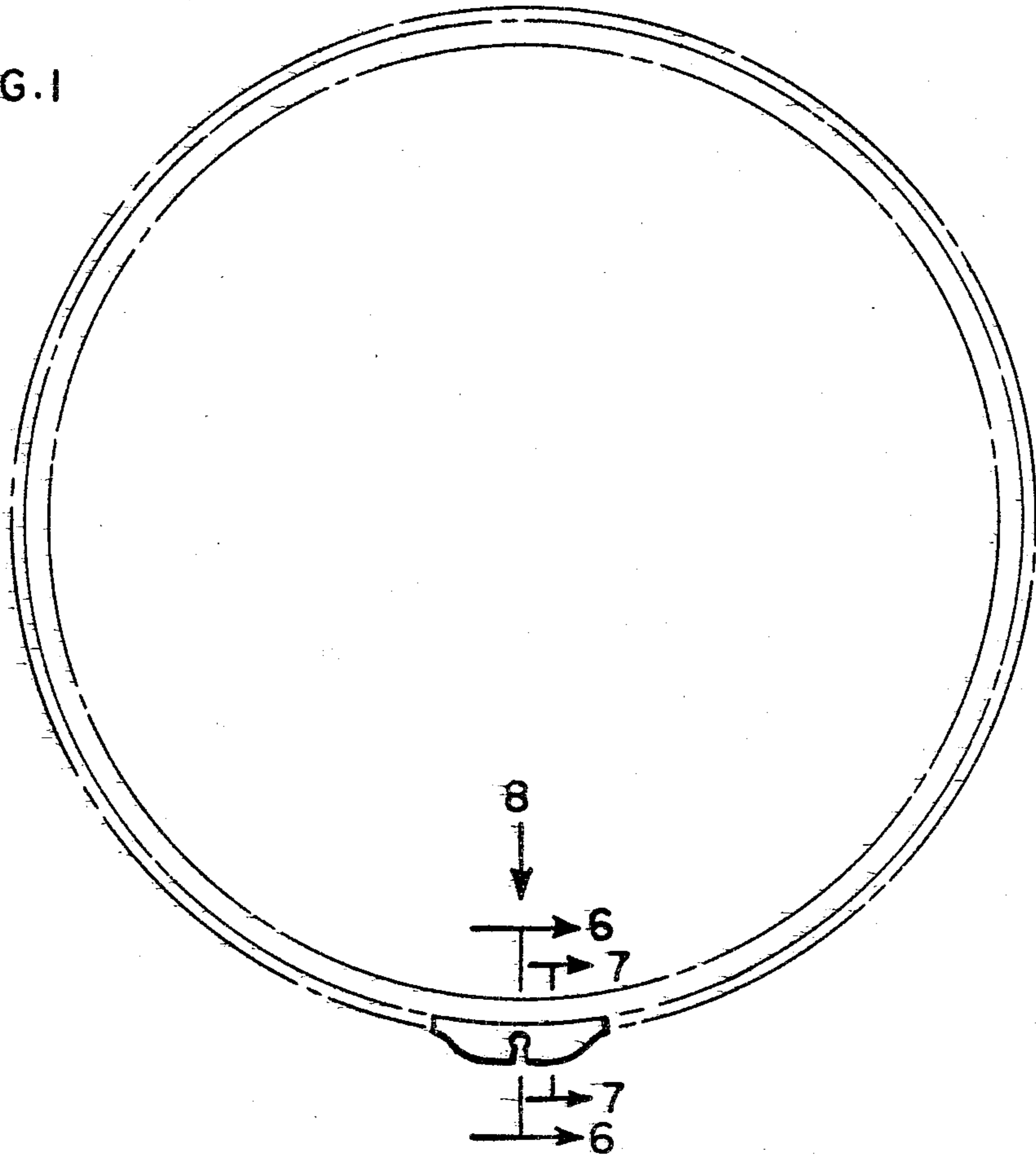


FIG. 2

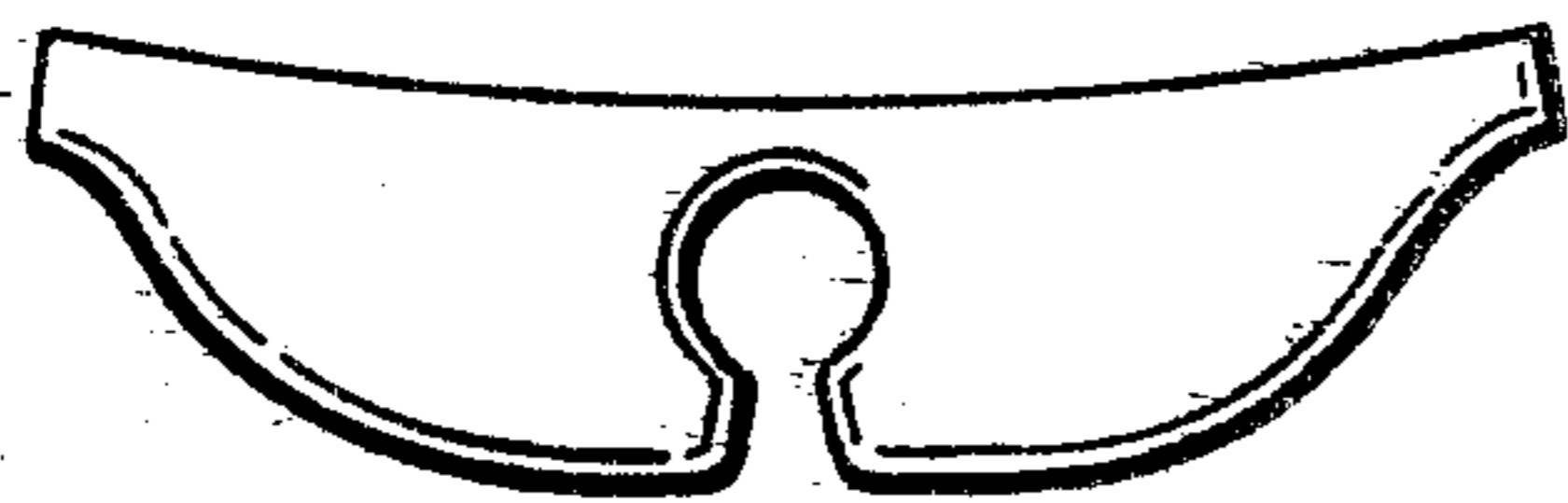


FIG. 3



FIG. 4



FIG. 5

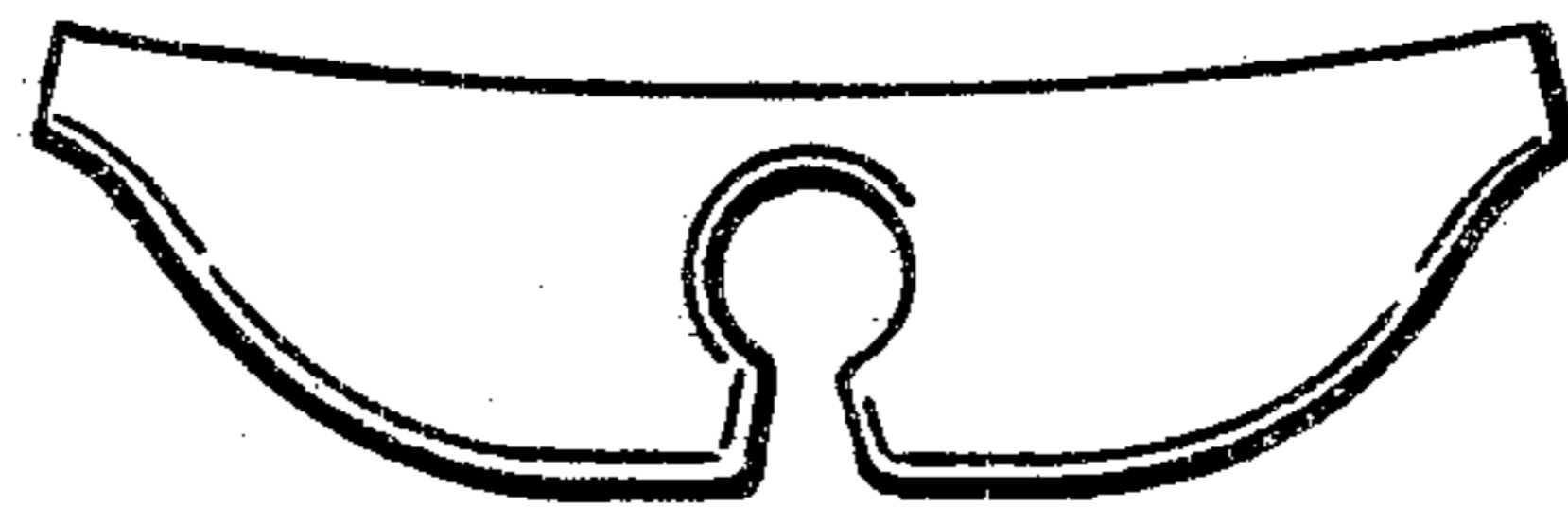


FIG. 6



FIG. 7



FIG. 8

