

# United States Patent [19]

Schroeder et al.

[11] Patent Number: **Des. 289,606**

[45] Date of Patent: **\*\* May 5, 1987**

[54] **CONVEYOR CHAIN LINK**

[75] Inventors: **Roger H. Schroeder, Hartland;**  
**Wasyly G. Hodlewsky, Greendale,**  
both of Wis.

[73] Assignee: **Rexnord Inc., Brookfield, Wis.**

[\*] Notice: The portion of the term of this patent subsequent to Apr. 28, 2001 has been disclaimed.

[\*\*] Term: **14 Years**

[21] Appl. No.: **691,035**

[22] Filed: **Jan. 11, 1985**

[52] U.S. Cl. .... **D8/499**

[58] Field of Search ..... 58/499; 198/779, 845,  
198/850, 851, 853; 193/35 F

[56] **References Cited**

**U.S. PATENT DOCUMENTS**

2,862,609 12/1958 Bechtel, Jr. .... 198/845

3,197,020 7/1965 Evans et al. .... 198/779  
4,231,469 11/1980 Arscott ..... 198/779

**FOREIGN PATENT DOCUMENTS**

3039637 5/1982 Fed. Rep. of Germany ..... 198/779  
0066530 12/1982 European Pat. Off. .... 198/853  
0103626 1/1964 Norway ..... 198/851

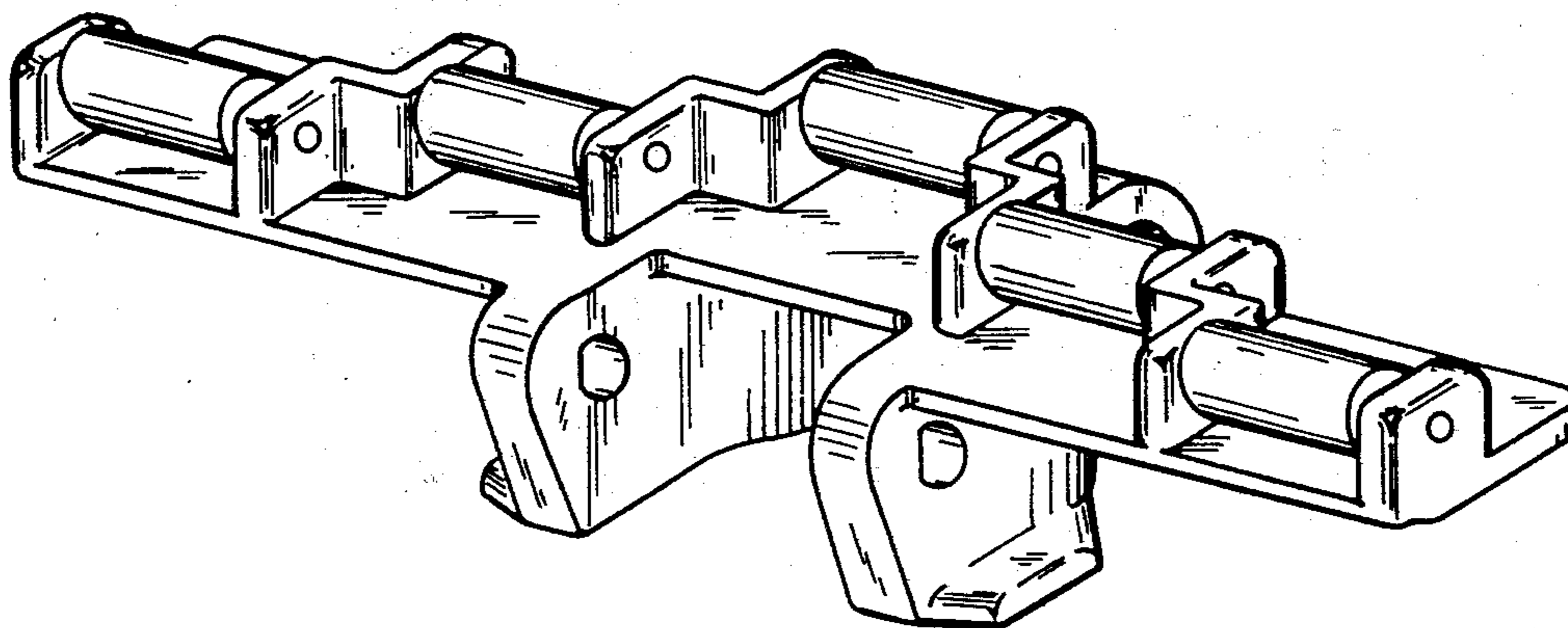
*Primary Examiner*—B. J. Bullock  
*Attorney, Agent, or Firm*—William L. Falk

[57] **CLAIM**

The ornamental design for a conveyor chain link, as shown and described.

**DESCRIPTION**

FIG. 1 is a perspective view of a conveyor chain link showing our new design;  
FIG. 2 is a top plan view thereof;  
FIG. 3 is a left side elevational view thereof, the right being a mirror image;  
FIG. 4 is a front elevational view thereof;  
FIG. 5 is a bottom plan view thereof; and  
FIG. 6 is an inverted rear elevational view thereof.



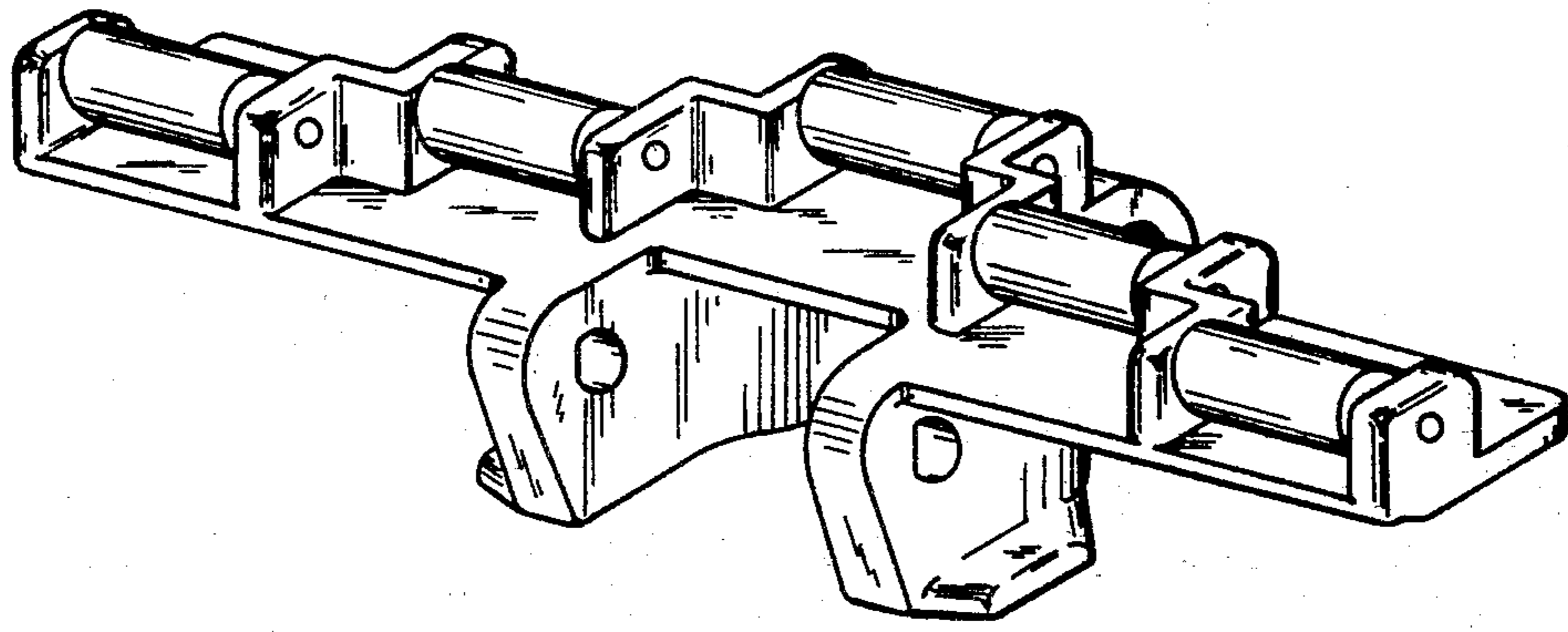


FIG. 1

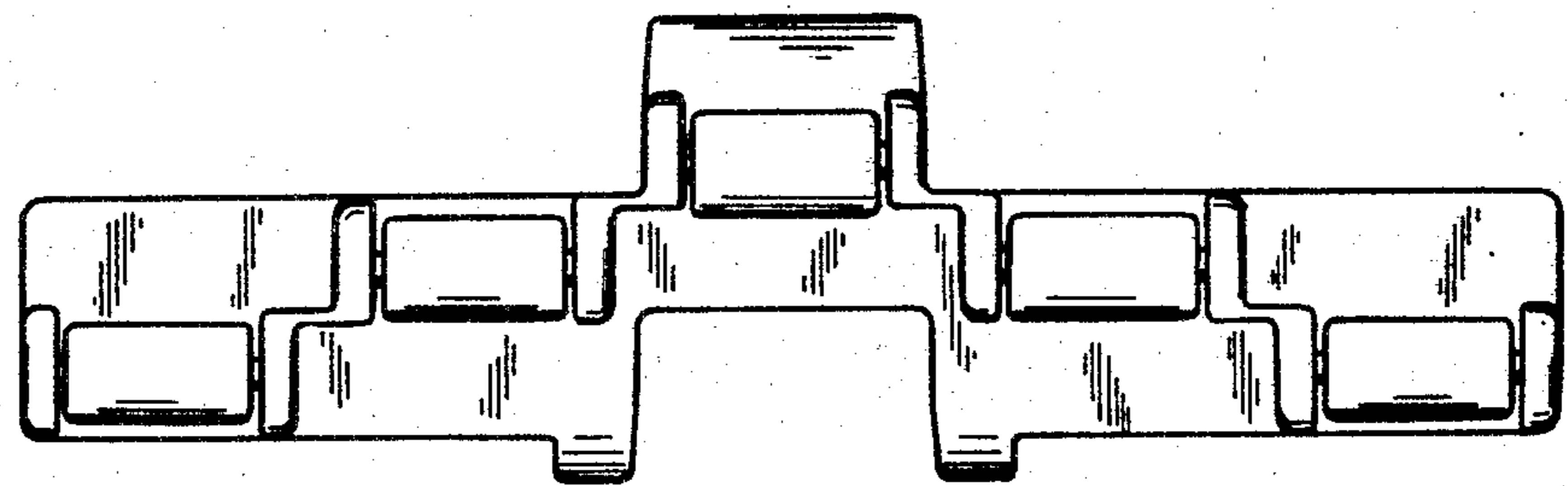


FIG. 2

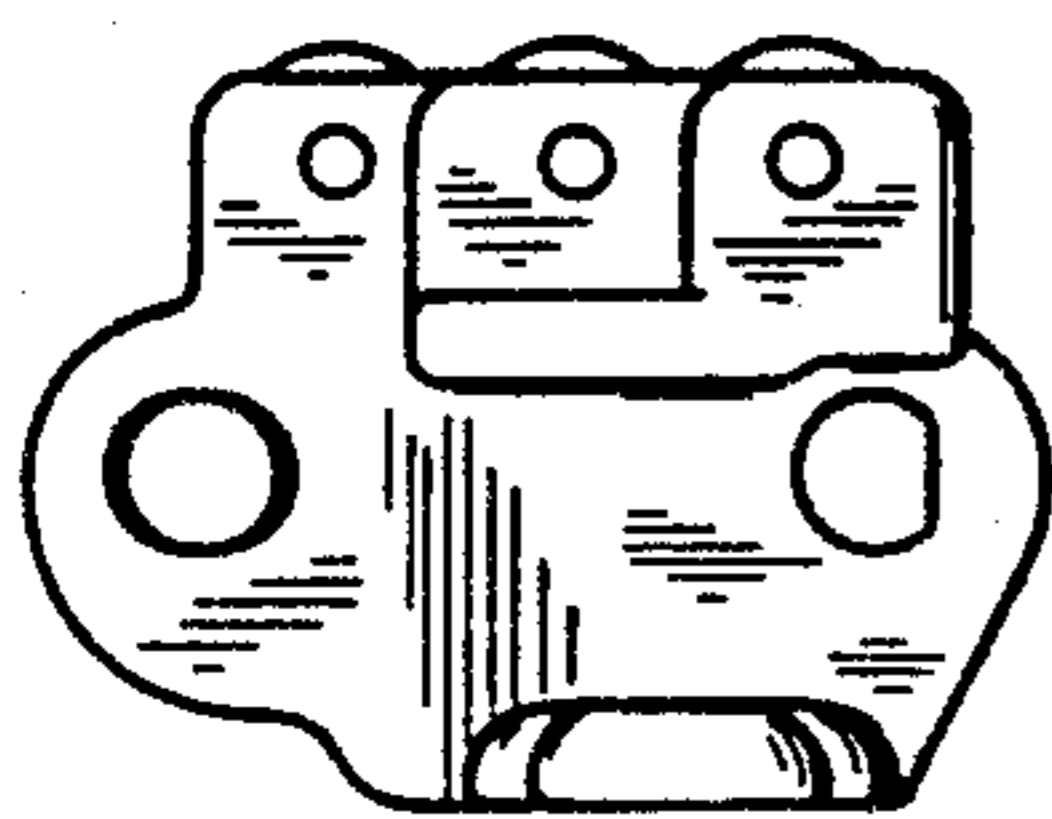


FIG. 3

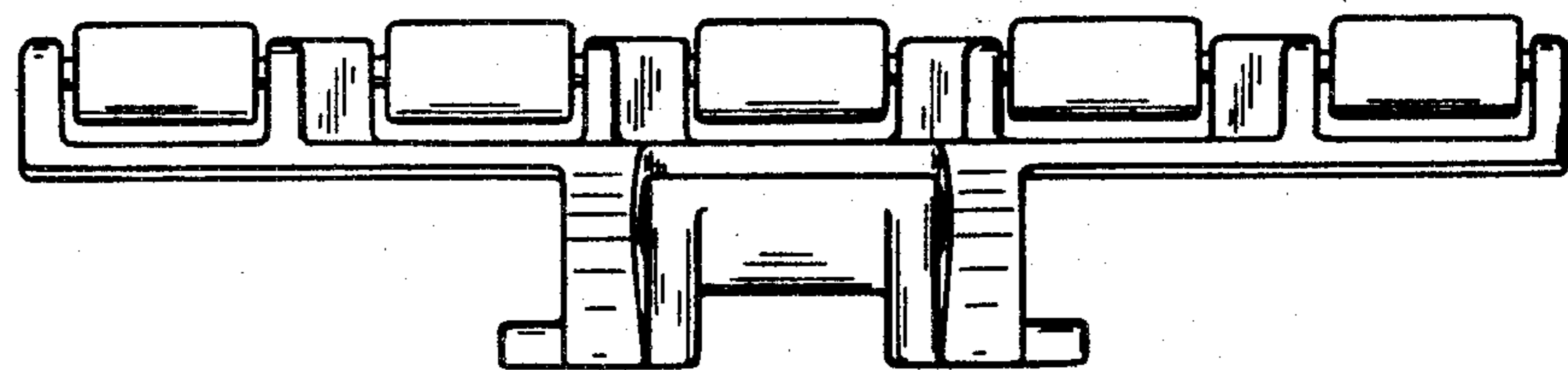


FIG. 4

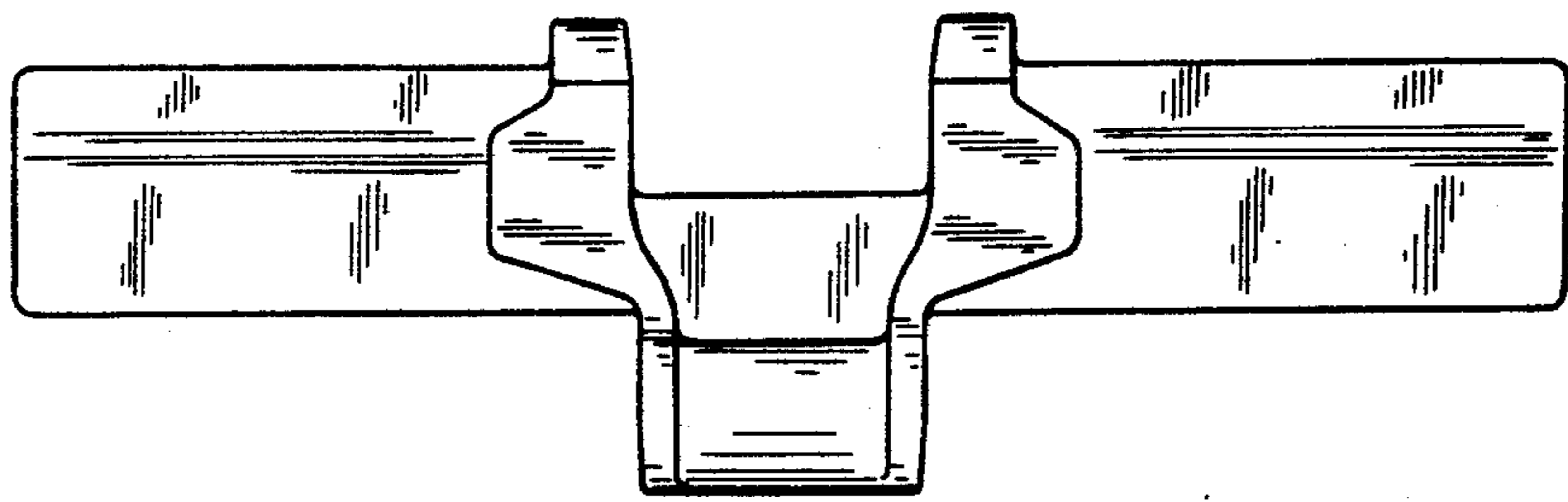


FIG. 5

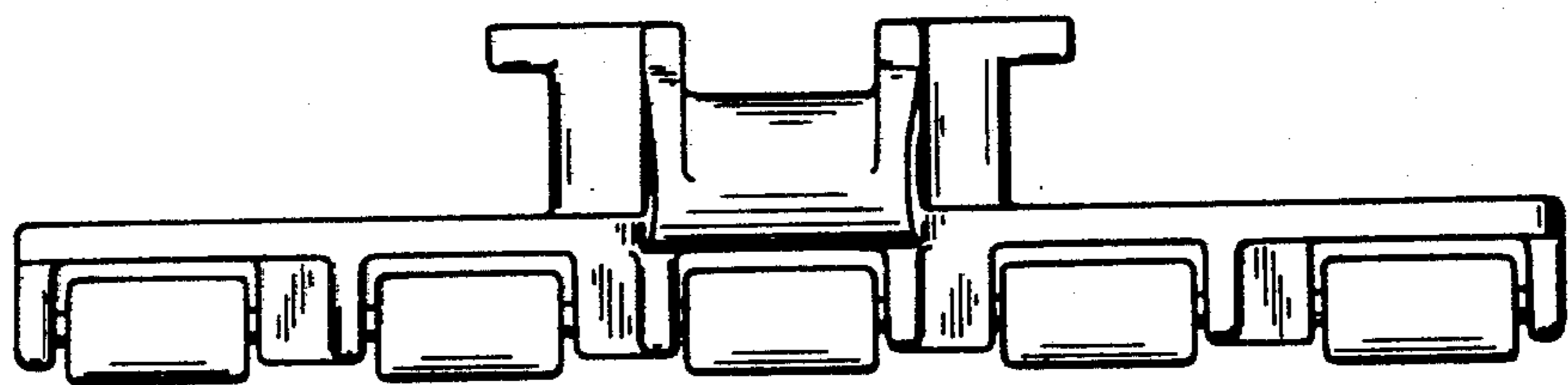


FIG. 6