

[54] **CAN OPENER HOUSING**

[75] **Inventor: Richard K. Thomas, Elk Grove Village, Ill.**

[73] **Assignee: John Zink Company, Tulsa, Okla.**

[\*\*] **Term: 14 Years**

[21] **Appl. No.: 714,655**

[22] **Filed: Mar. 21, 1985**

[52] **U.S. Cl. .... D8/36; D8/41**

[58] **Field of Search ..... D8/18, 33, 34, 36, 38, D8/40, 41; 30/400, 401, 410, 421-426**

[56] **References Cited**

**U.S. PATENT DOCUMENTS**

4,622,749 11/1986 Inagaki ..... 30/421

**OTHER PUBLICATIONS**

Kitchen Bazaar, 3/84, p. 23, Electric Hand Can Opener, bottom, left corner.

Gifts & Decorative Accessories, 6/84, p. 178, Hand Held Electric Can Opener.

*Primary Examiner*—Bernard Ansher

*Assistant Examiner*—Terry Pfeffer

*Attorney, Agent, or Firm*—Neil M. Rose

[57] **CLAIM**

The ornamental design for a can opener housing, as shown.

**DESCRIPTION**

FIG. 1 is a perspective view of a can opener housing showing my new design;

FIG. 2 is a right side elevational view thereof;

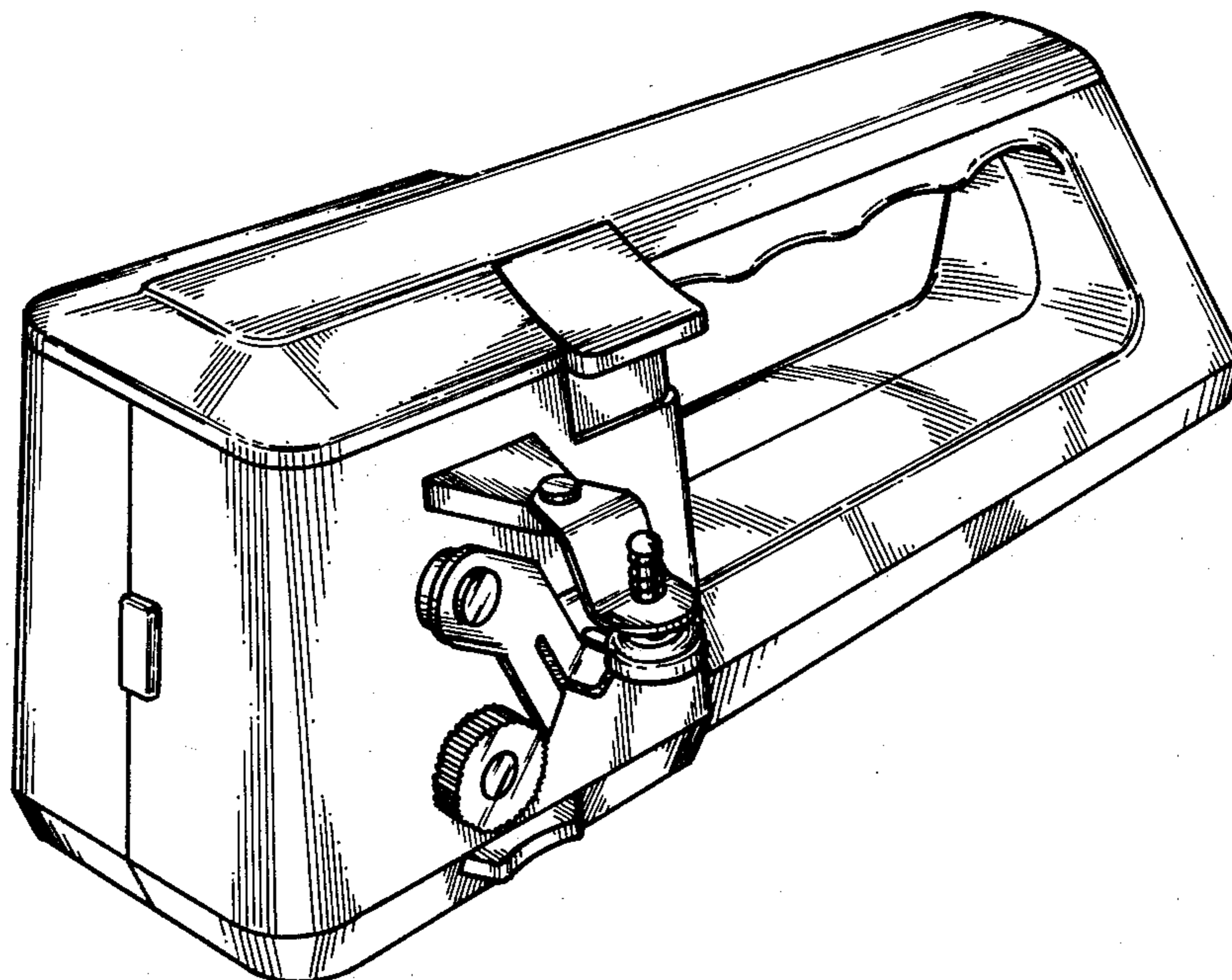
FIG. 3 is an left side elevational view thereof;

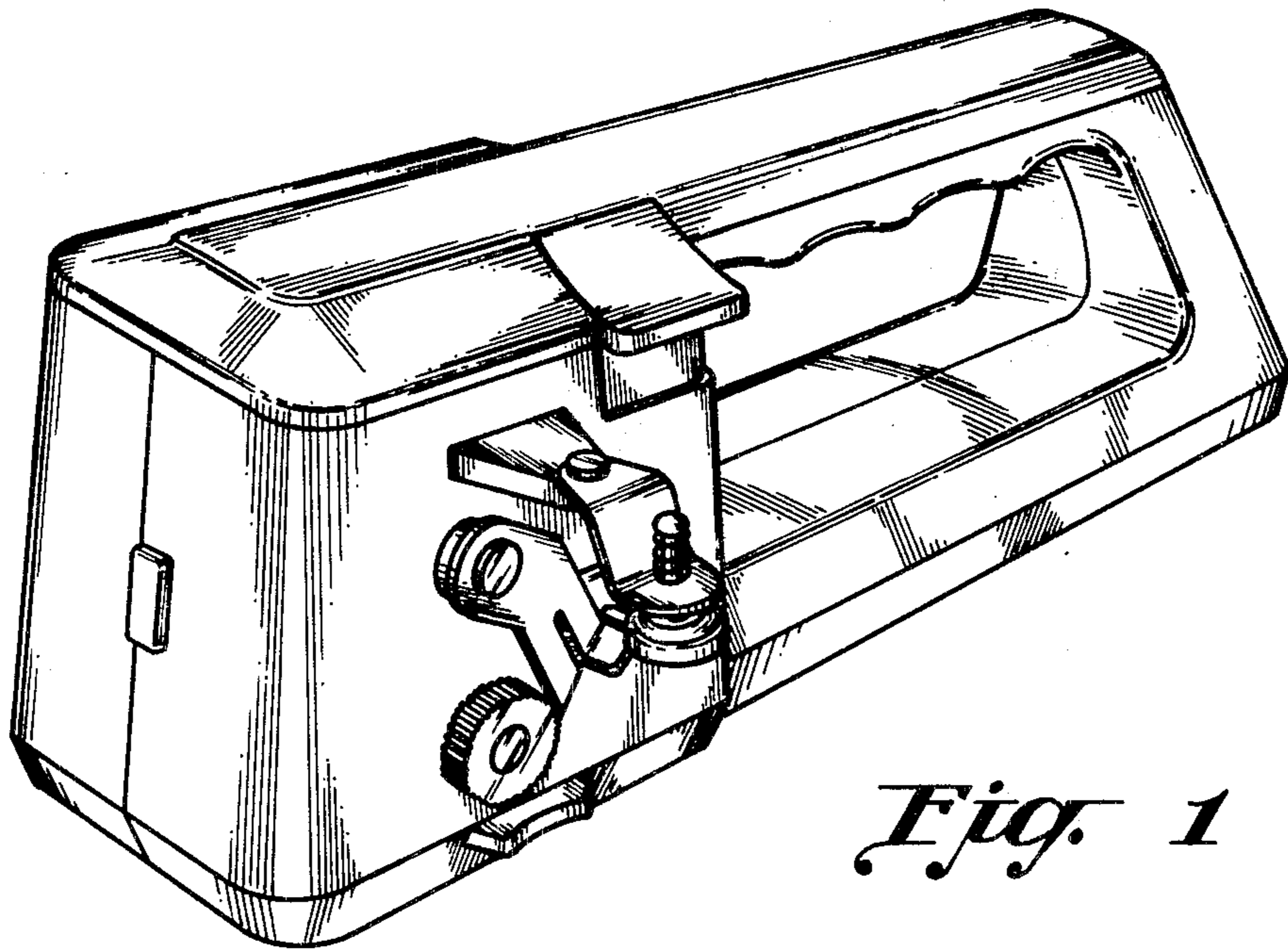
FIG. 4 is a top plan view thereof;

FIG. 5 is a bottom plan view thereof;

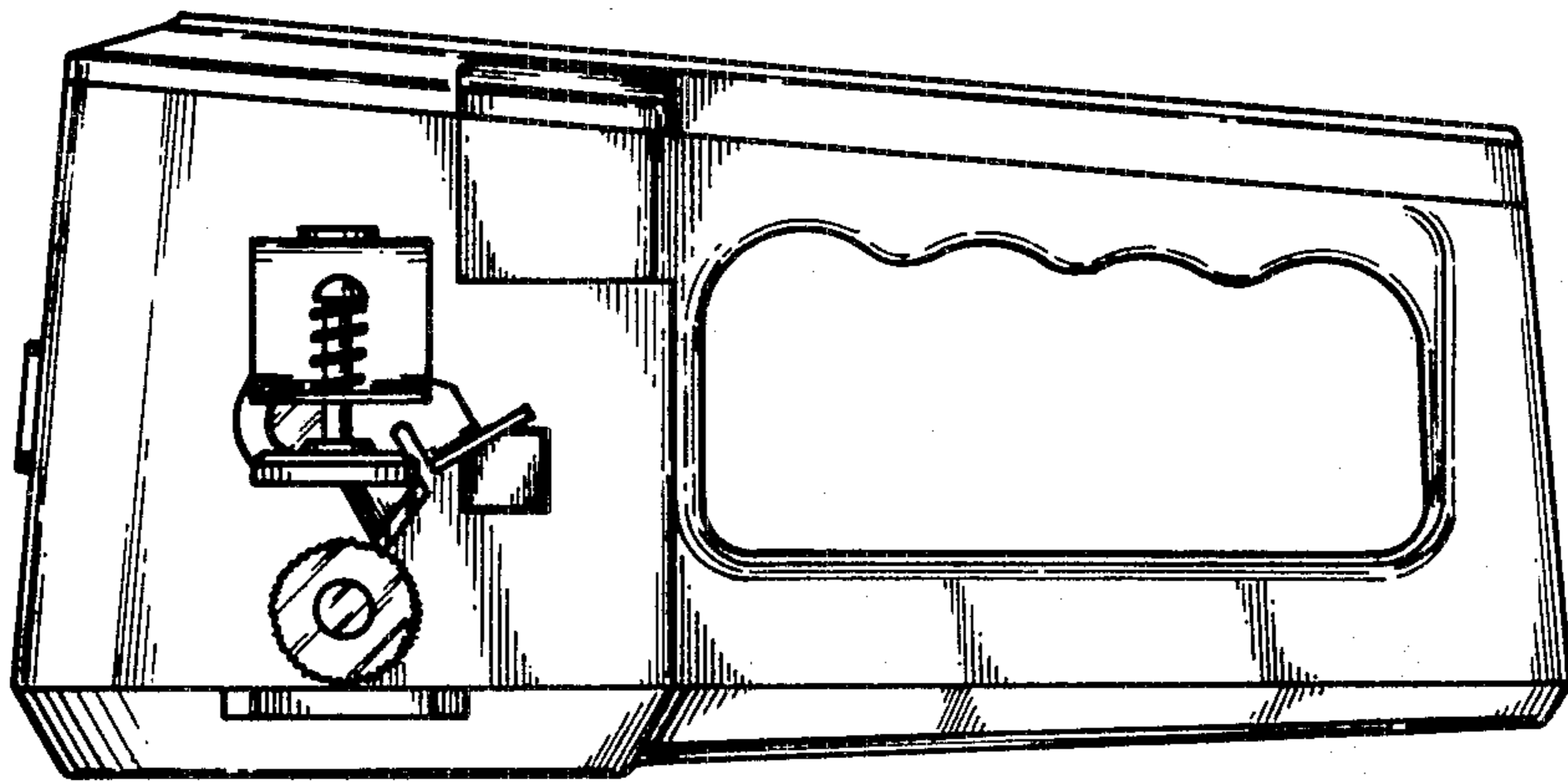
FIG. 6 is a front elevational view thereof; and

FIG. 7 is a rear elevational view thereof.

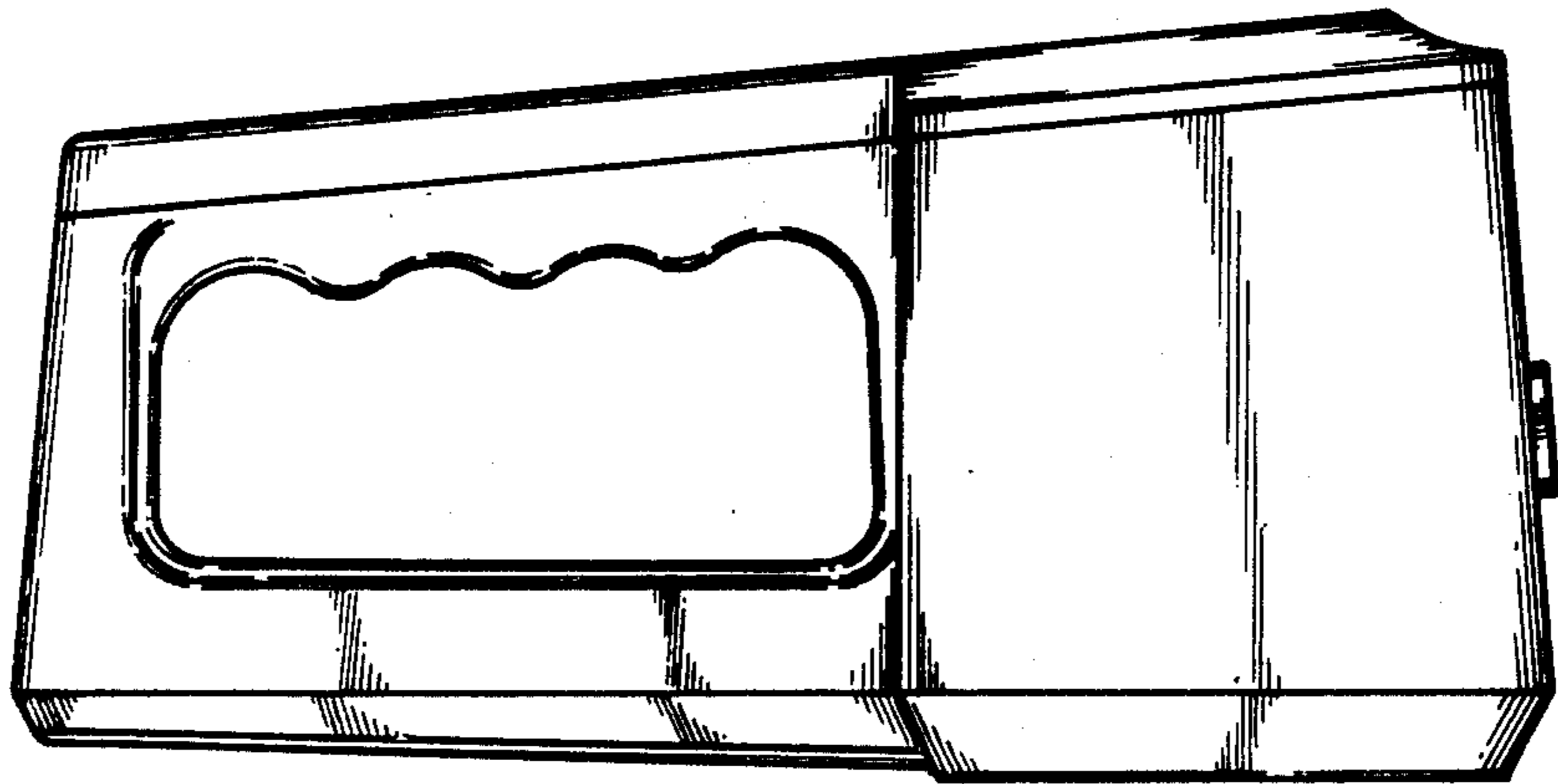




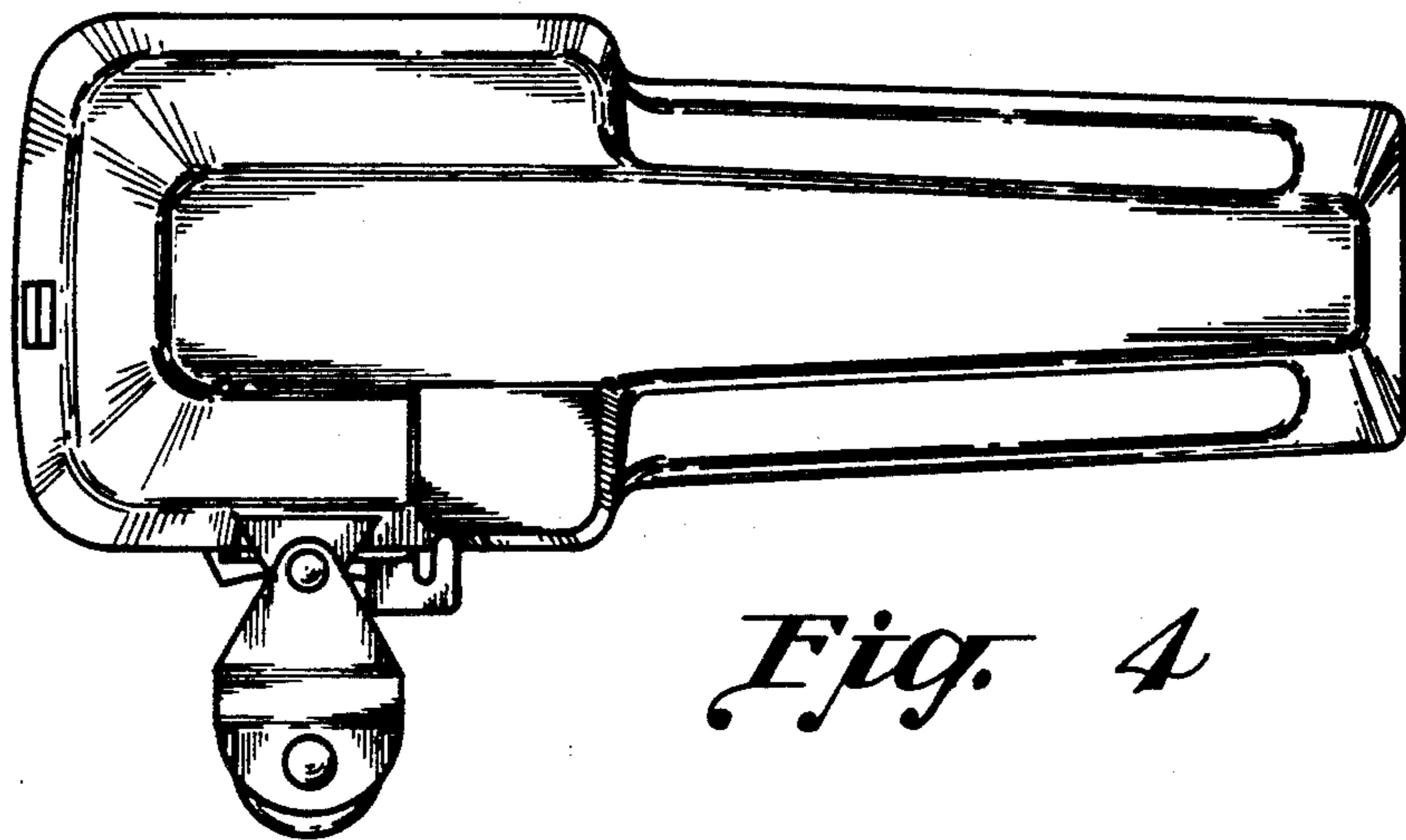
*Fig. 1*



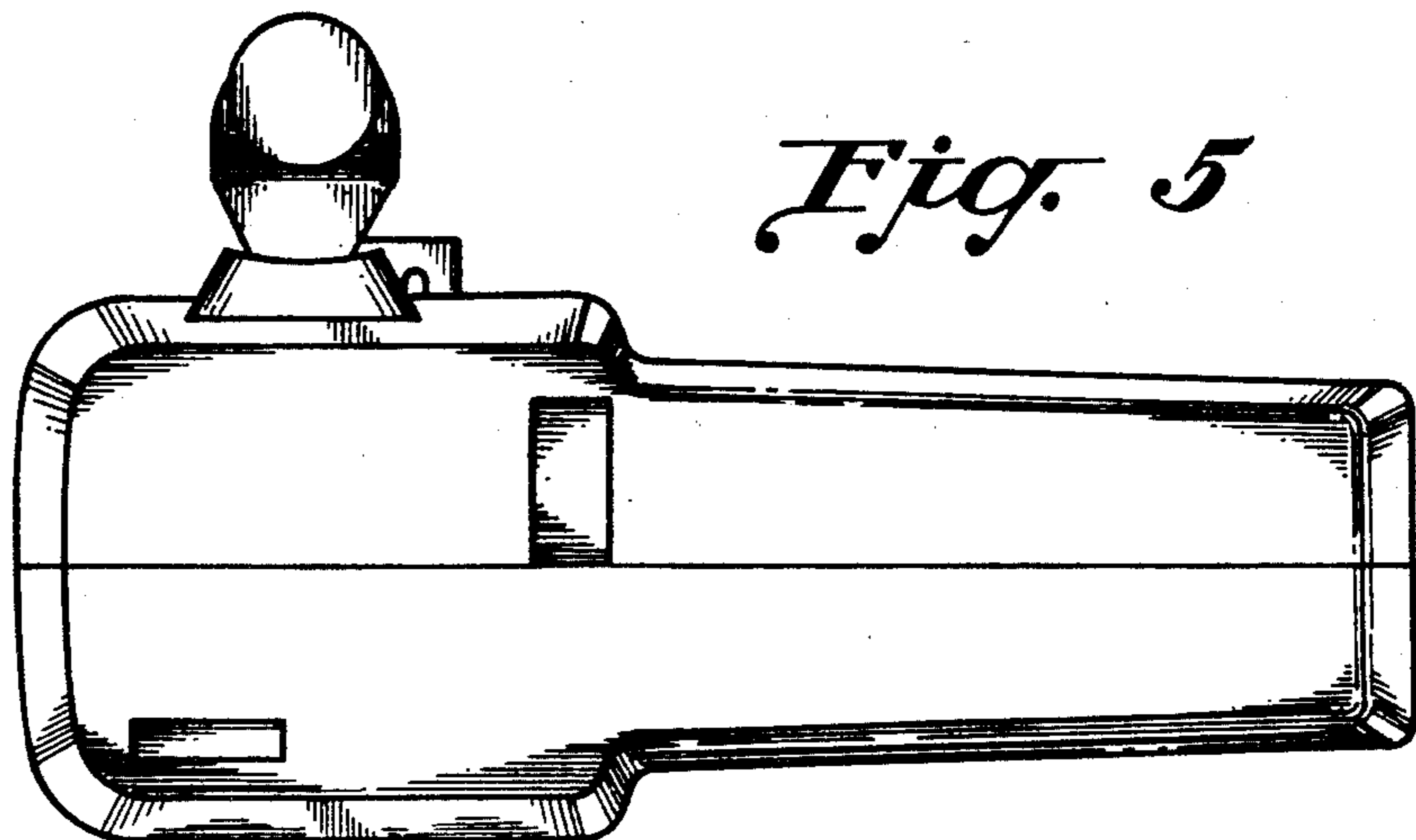
*Fig. 2*



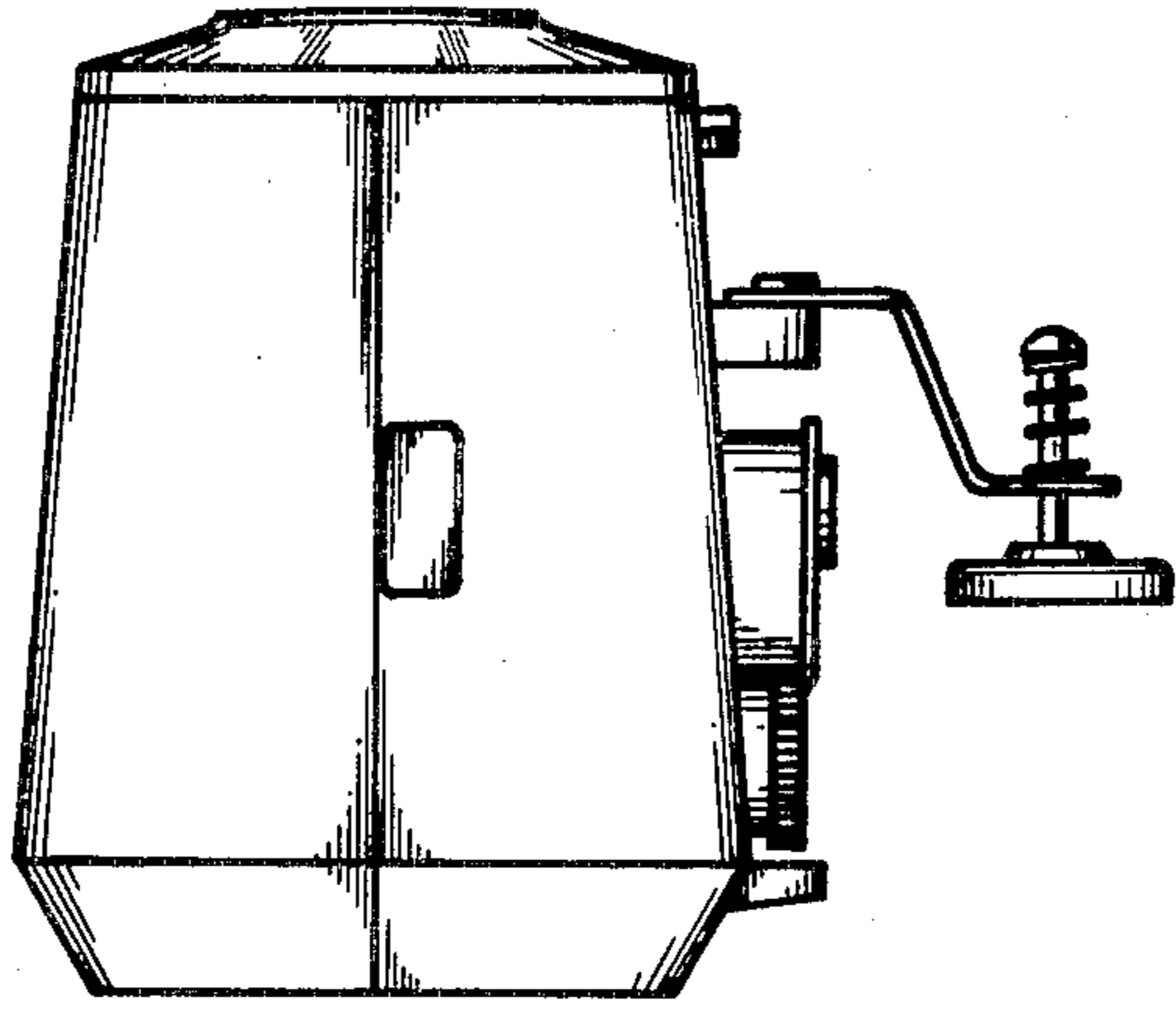
*Fig. 3*



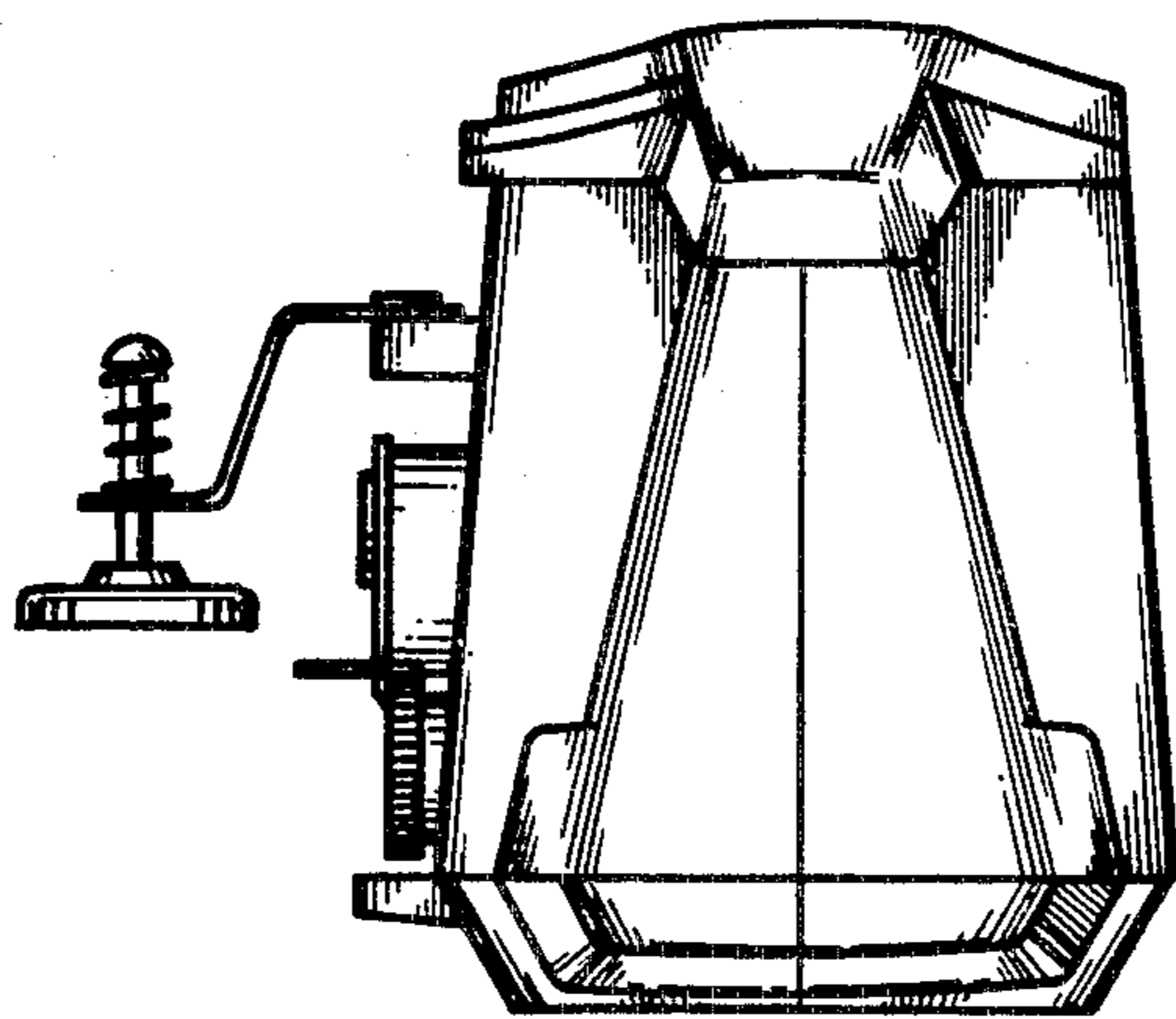
*Fig. 4*



*Fig. 5*



*Fig. 6*



*Fig. 7*