

[54] HELMET COOLER

3,900,897 8/1975 Dunning 2/9

[76] Inventor: Lawrence S. Parmet, 4358 Inveraray Walk, Roswell, Ga. 30075

Primary Examiner—Bernard Ansher
Assistant Examiner—Terry Pfeffer
Attorney, Agent, or Firm—Patrick F. Henry

[**] Term: 14 Years

[57] CLAIM

[21] Appl. No.: 668,619

The ornamental design for a helmet cooler, as shown and described.

[22] Filed: Nov. 5, 1984

[52] U.S. Cl. D7/78; D7/5

[58] Field of Search D7/76-78, D7/5; 62/457; 215/286; 2/9; D9/307; D14/53

DESCRIPTION

[56] References Cited

U.S. PATENT DOCUMENTS

- D. 218,349 8/1970 Feeney D7/78
- D. 232,011 7/1974 Denton D7/5 X
- D. 241,496 9/1976 Grode et al. D7/56

FIG. 1 is a top plan view of the helmet cooler showing my new design;

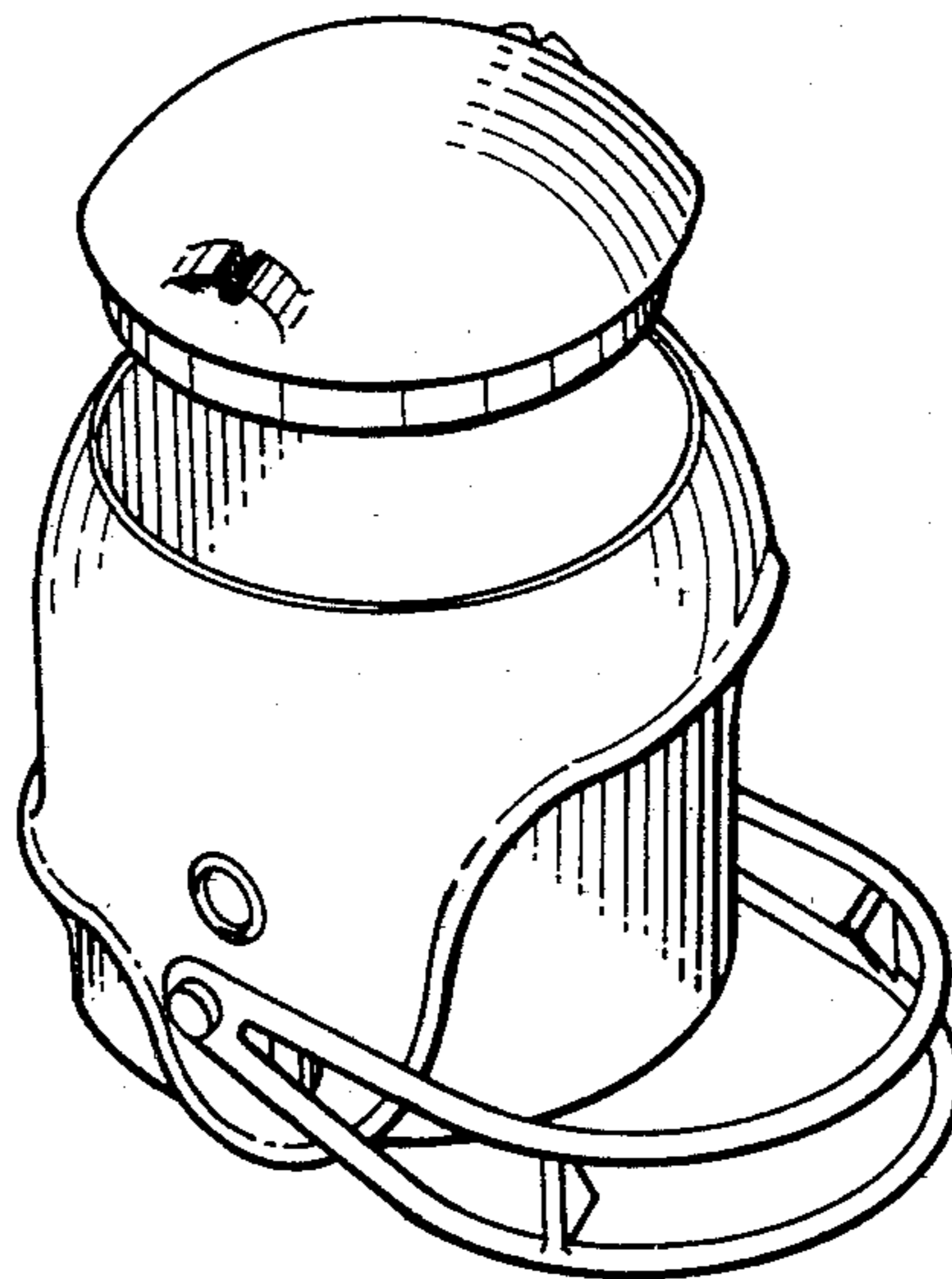
FIG. 2 is a bottom plan view thereof;

FIG. 3 is a left side elevational view thereof, the opposite side being a mirror image;

FIG. 4 is a front elevational view thereof;

FIG. 5 is a rear elevational view thereof; and

FIG. 6 is an exploded perspective view thereof.



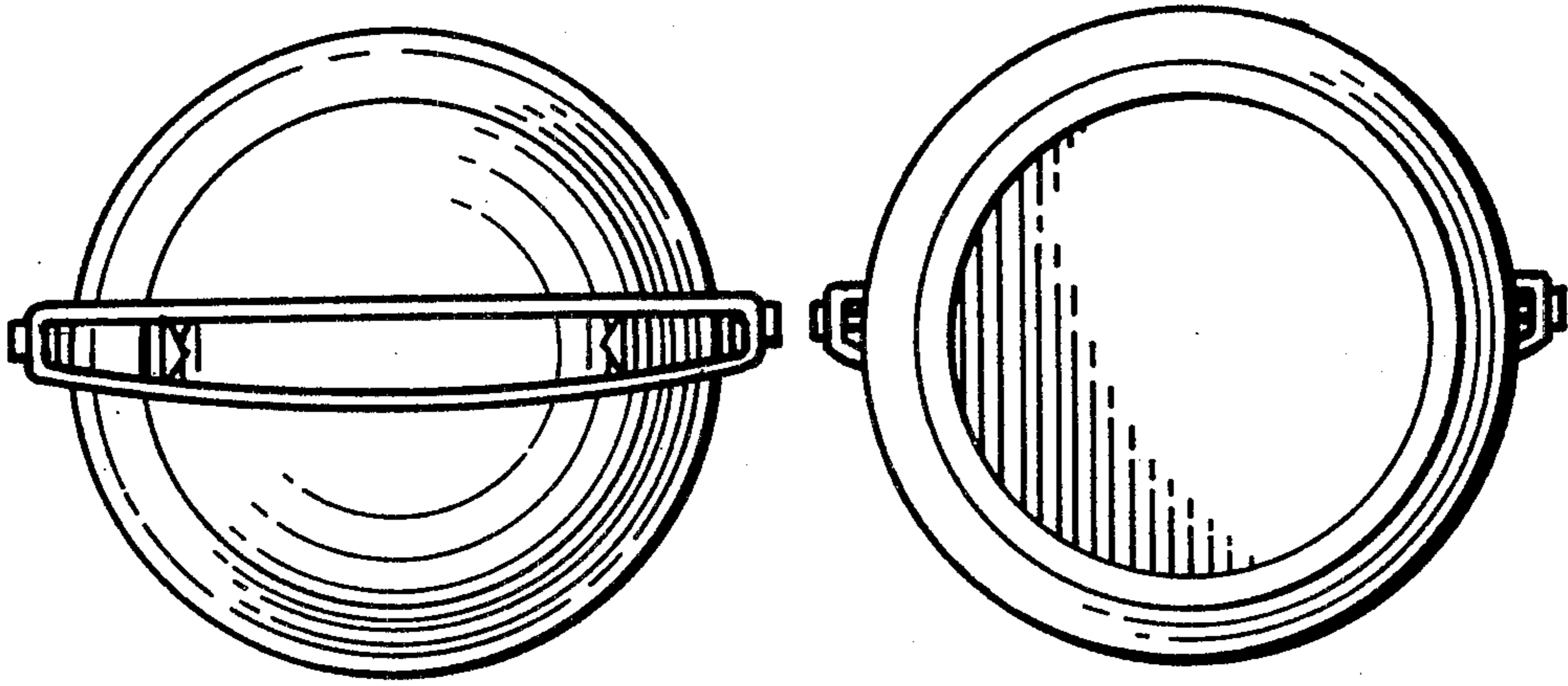


FIG. 1

FIG. 2

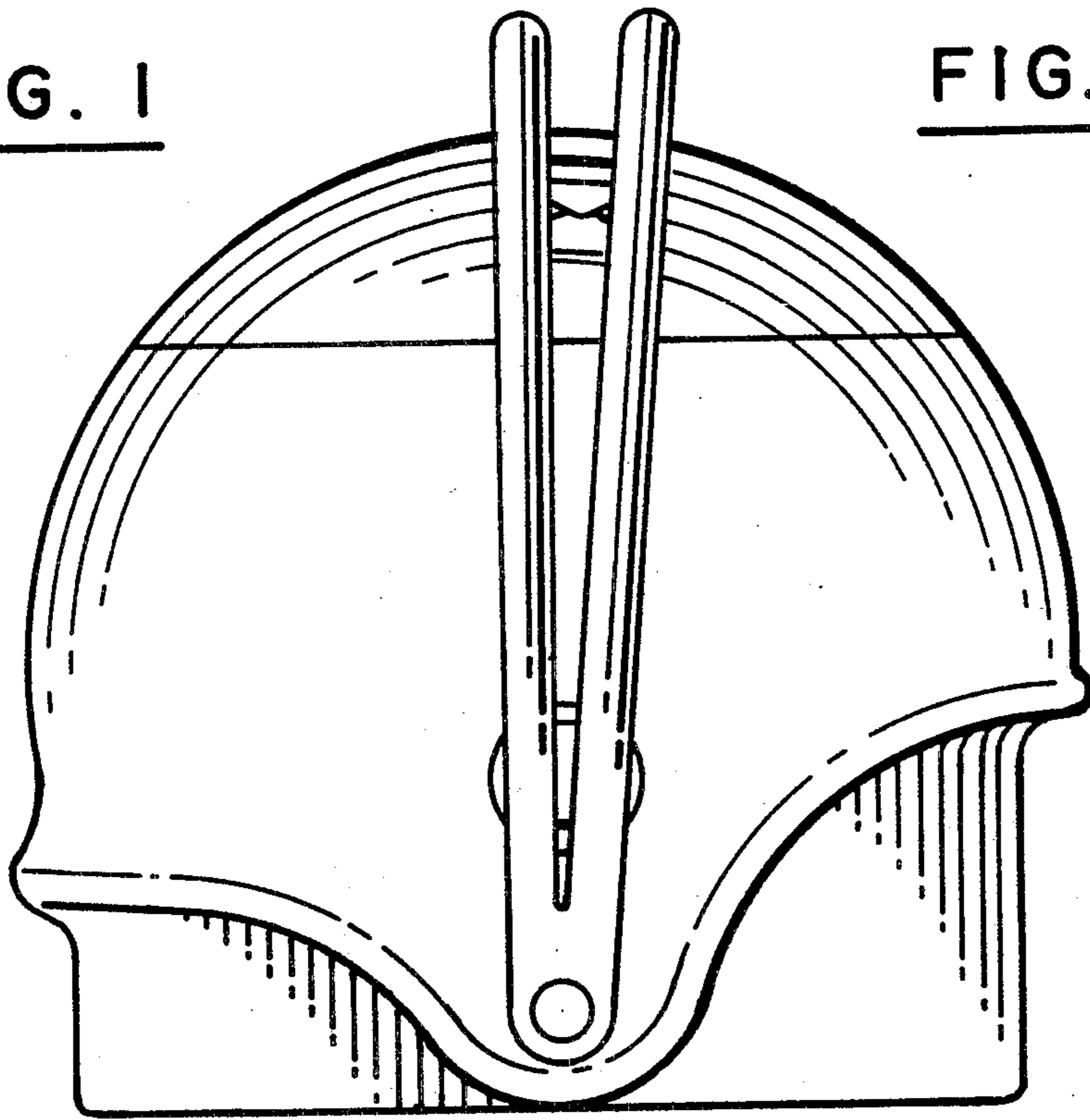


FIG. 3

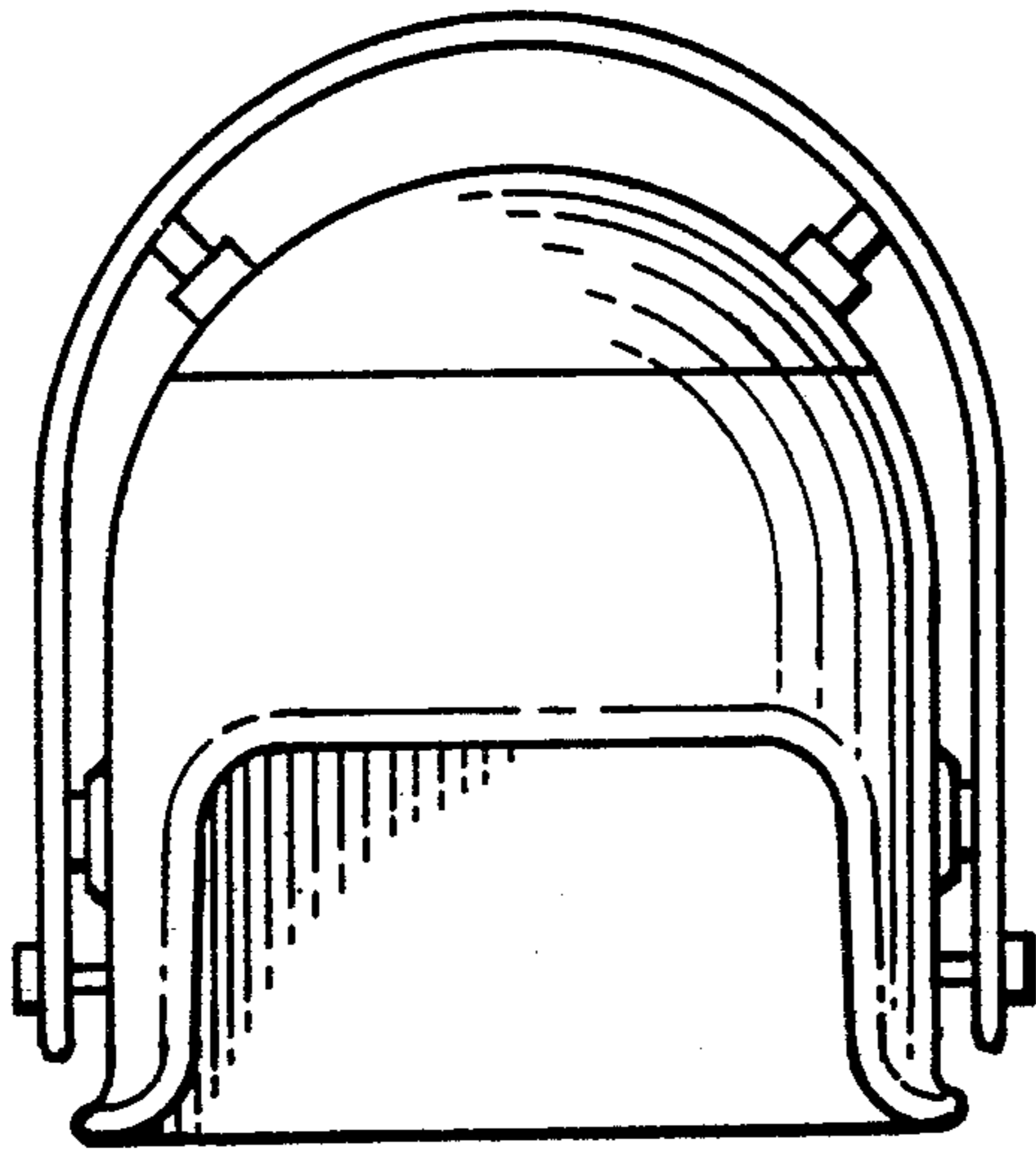


FIG. 4

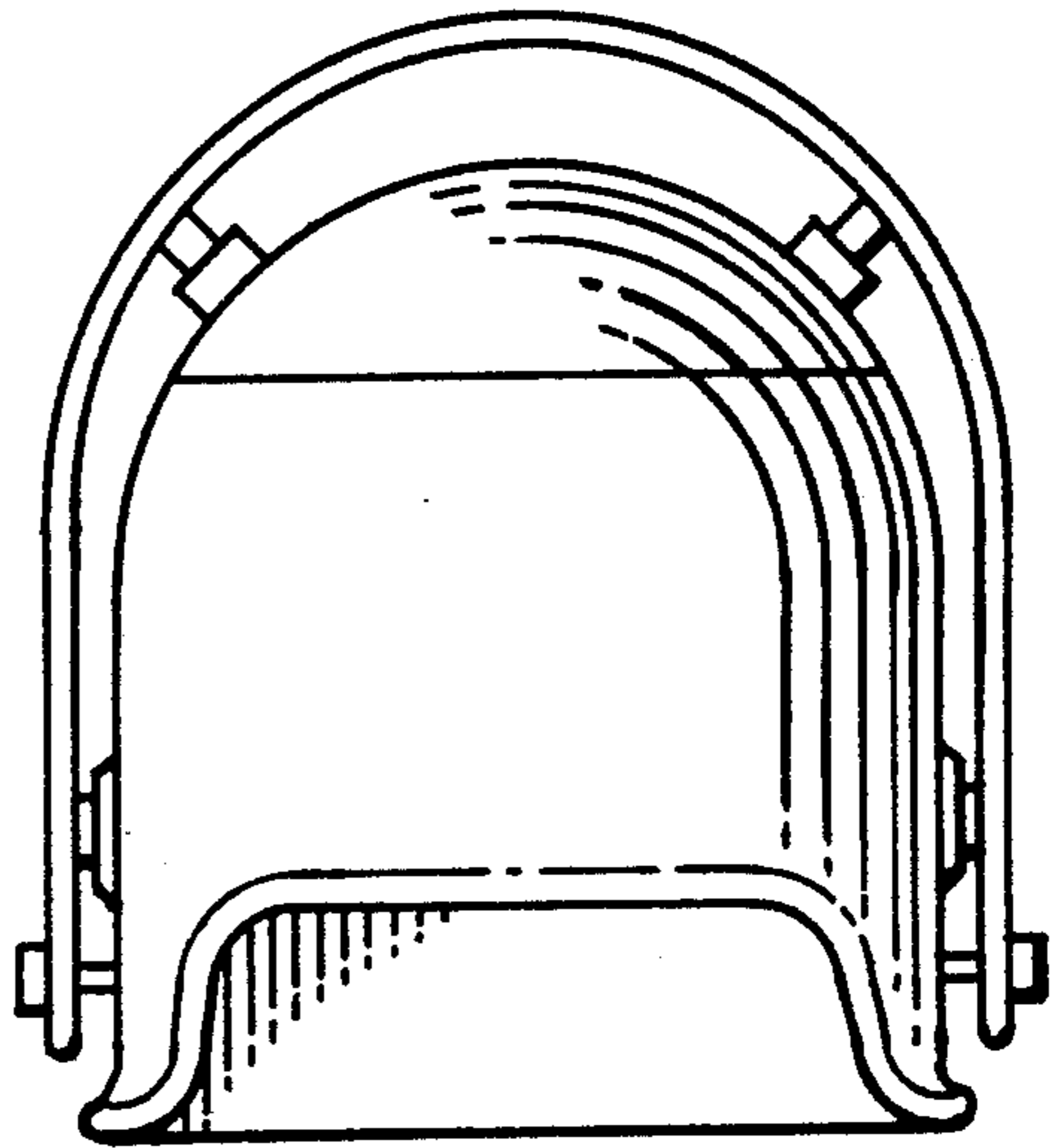


FIG. 5

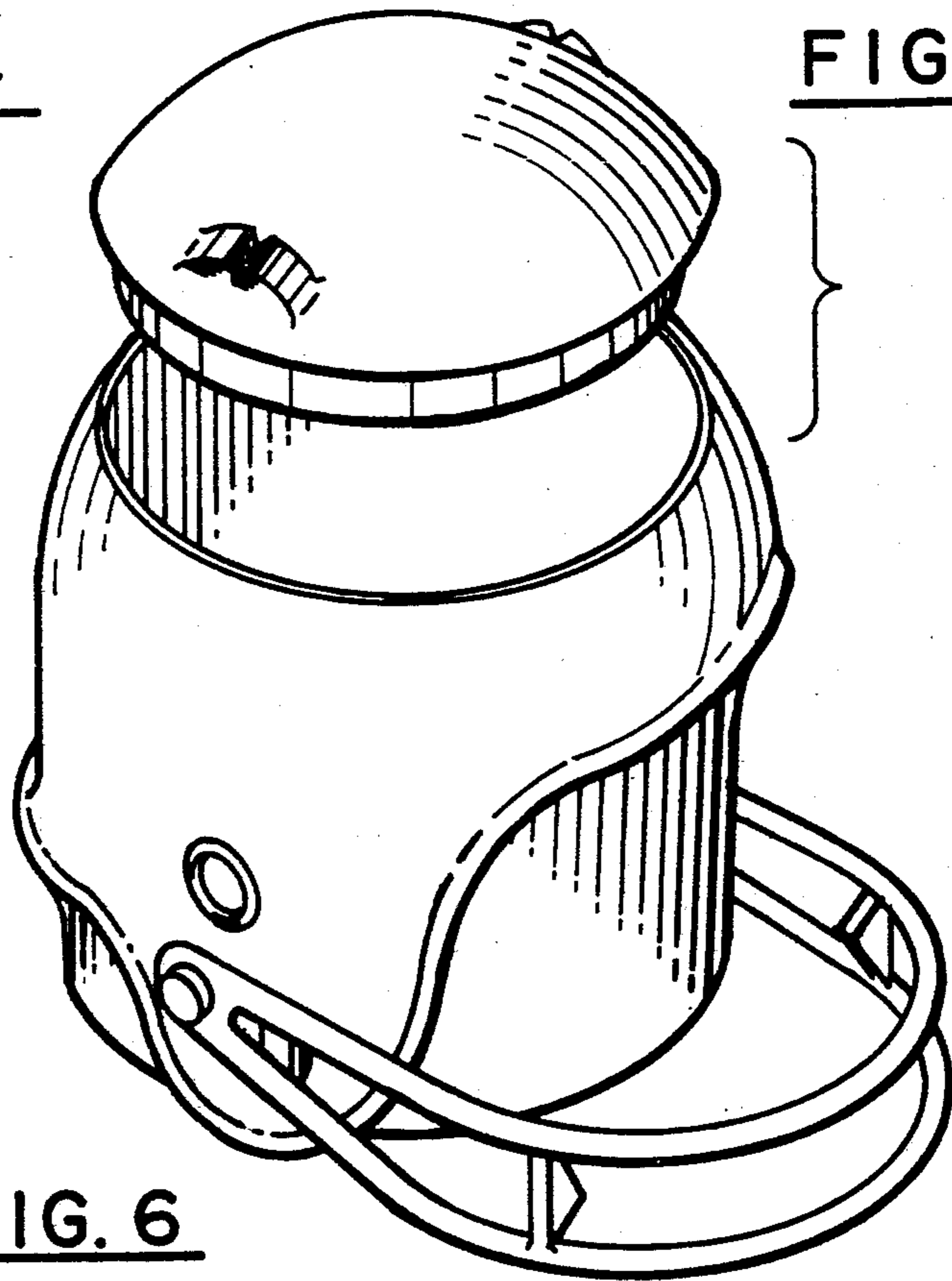


FIG. 6