

[54] CHAIR CONTROL UNIT

[75] Inventor: Morten Groseth, Röros, Norway

[73] Assignee: Hag A/S, Norway

[\*\*] Term: 14 Years

[21] Appl. No.: 663,505

[22] Filed: Oct. 22, 1984

[30] Foreign Application Priority Data

May 8, 1984 [NO] Norway ..... 65184

[52] U.S. Cl. .... D6/500

[58] Field of Search ..... D6/364, 365, 366, 500;  
248/378, 381, 188.1; 297/301, 313, 349, 445,  
325

[56] References Cited

U.S. PATENT DOCUMENTS

D. 242,514 11/1976 Doerner ..... D6/500

D. 246,217	11/1977	Doerner	.....	D6/500
D. 246,558	12/1977	Doerner	.....	D6/500
D. 247,943	5/1978	Doerner	.....	D6/500
D. 250,501	12/1978	Pinaire et al.	.....	D6/500
D. 285,633	9/1986	Doerner	.....	D6/500
3,741,607	6/1973	Cramer	.....	297/313 X
3,823,980	7/1974	Harnick	.....	297/325 X

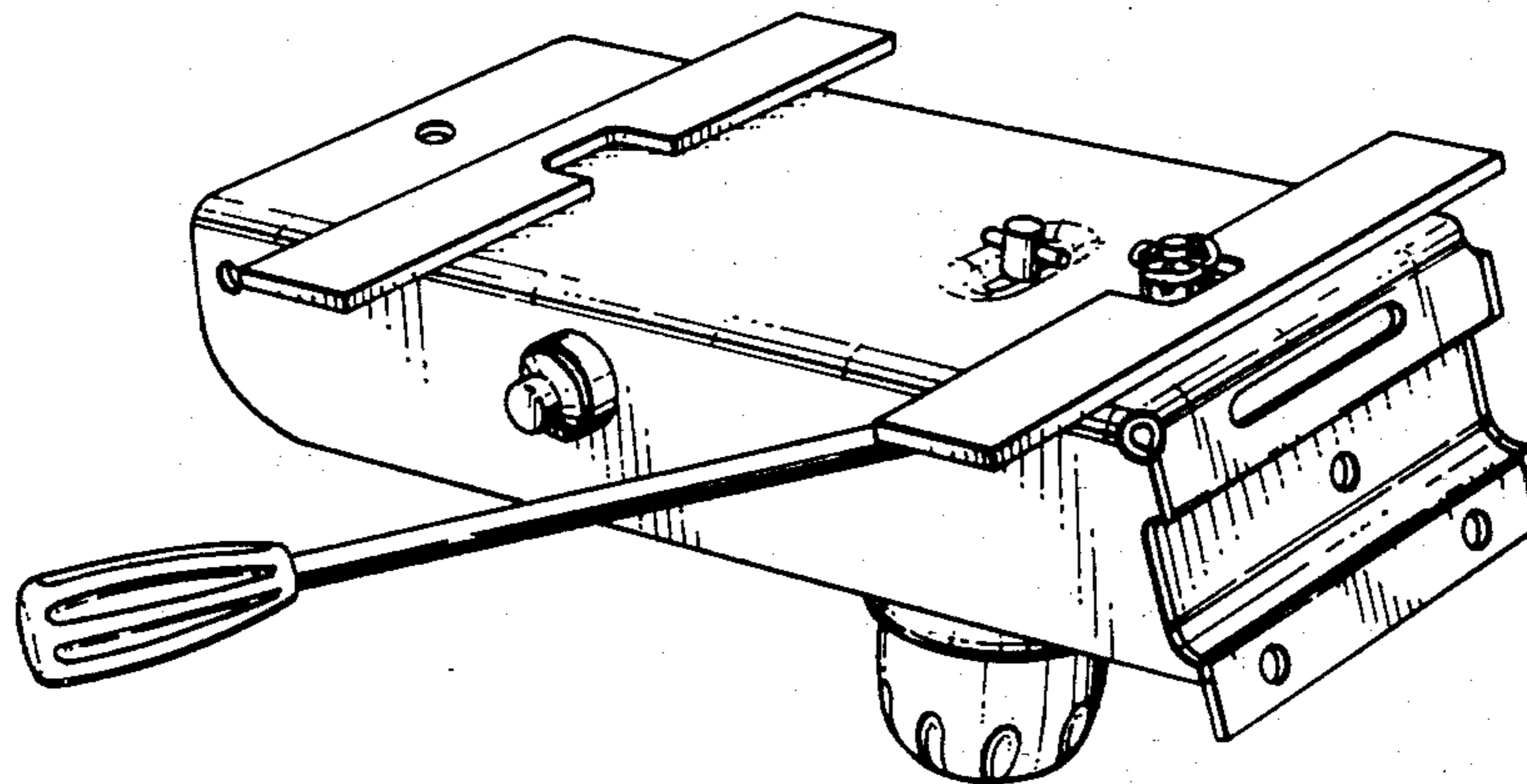
Primary Examiner—Bruce W. Dunkins  
Attorney, Agent, or Firm—Darby & Darby

[57] CLAIM

The ornamental design for a chair control unit, substantially as shown and described.

DESCRIPTION

FIG. 1 is a front top perspective view of a chair control unit embodying my new design;  
FIG. 2 is a side view of a chair control unit, as seen from the left hand side;  
FIG. 3 is a rear view of a chair control unit; and  
FIG. 4 is a bottom plan view of a chair control unit.



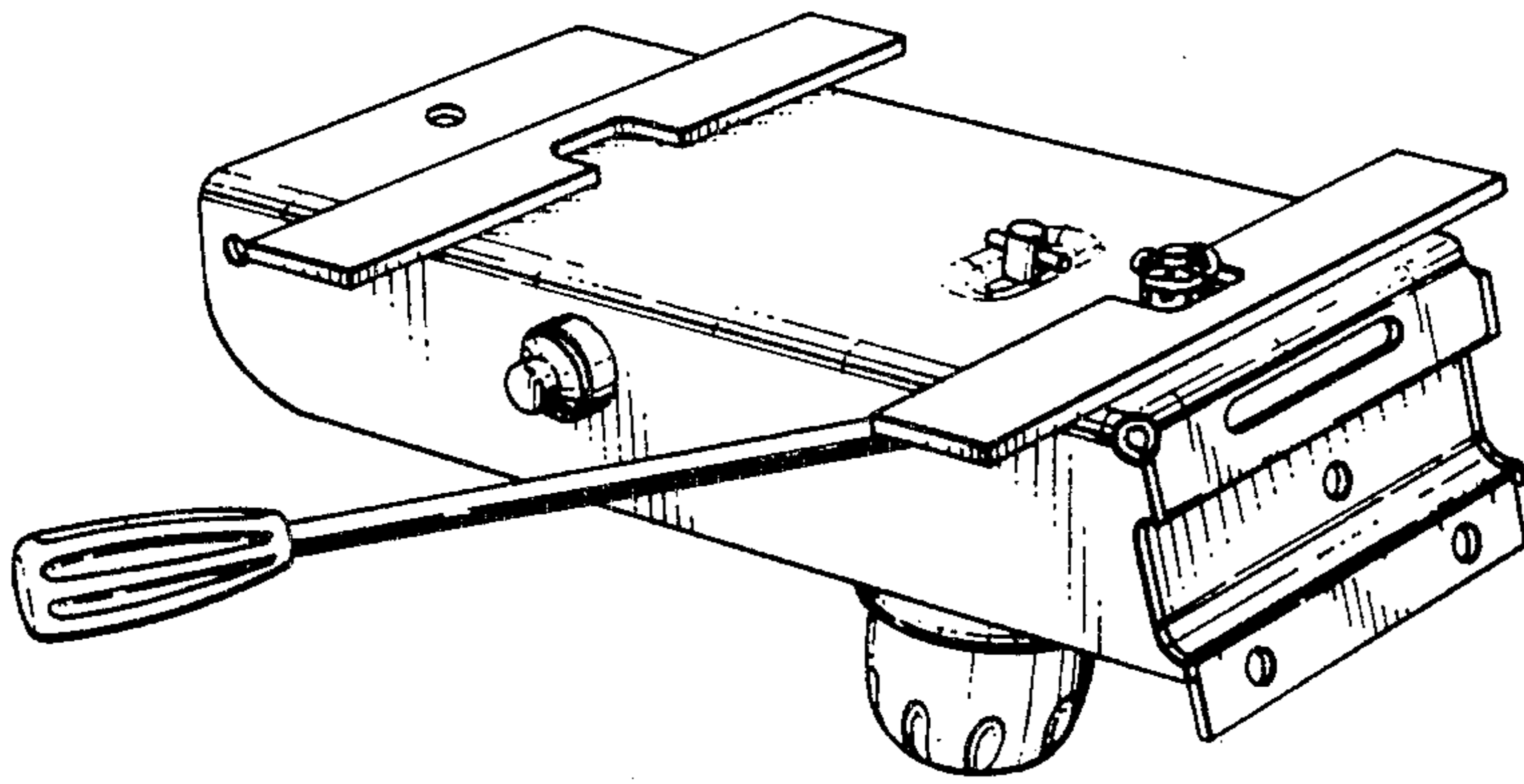


Fig. 1.

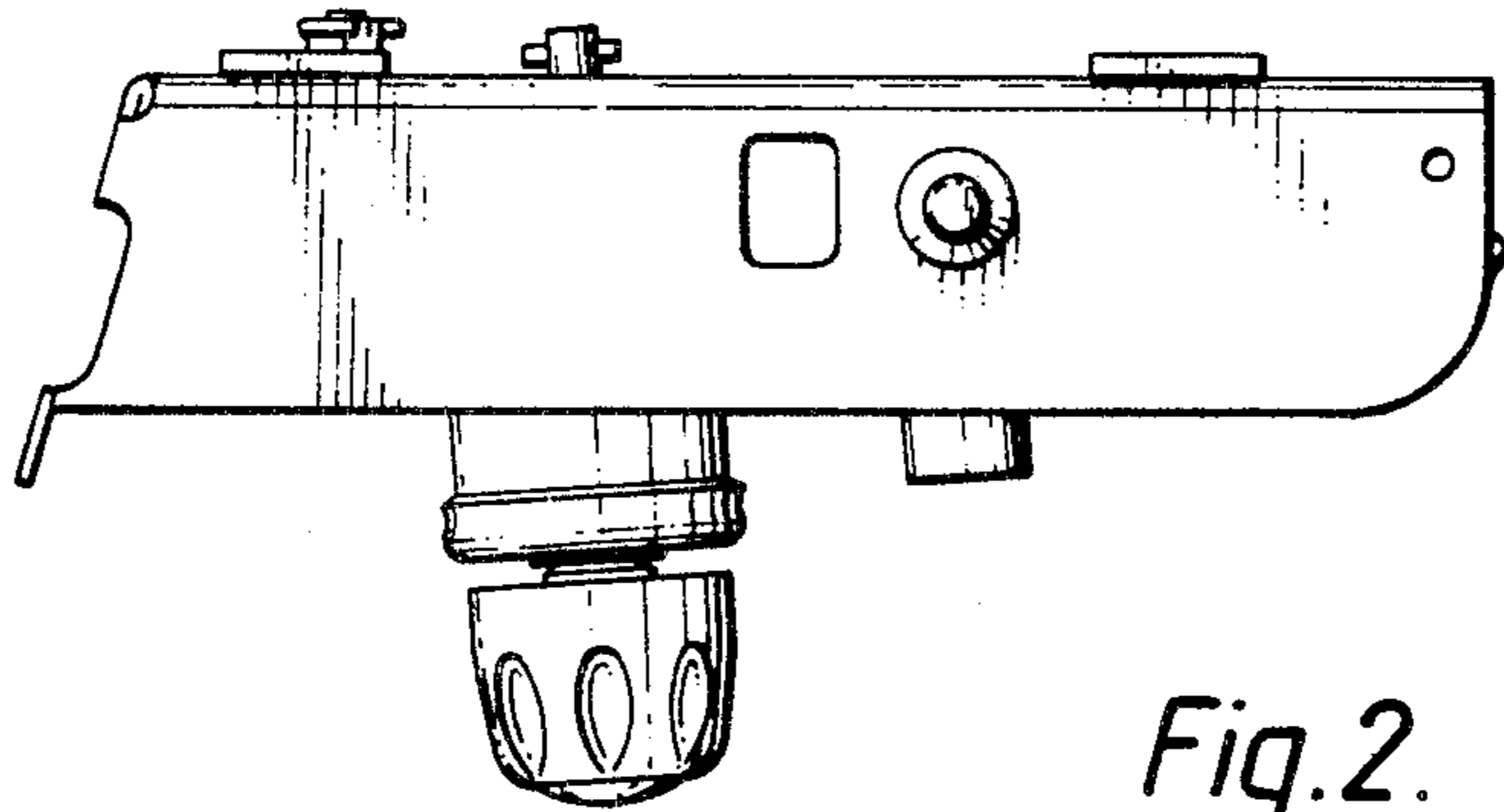


Fig. 2.

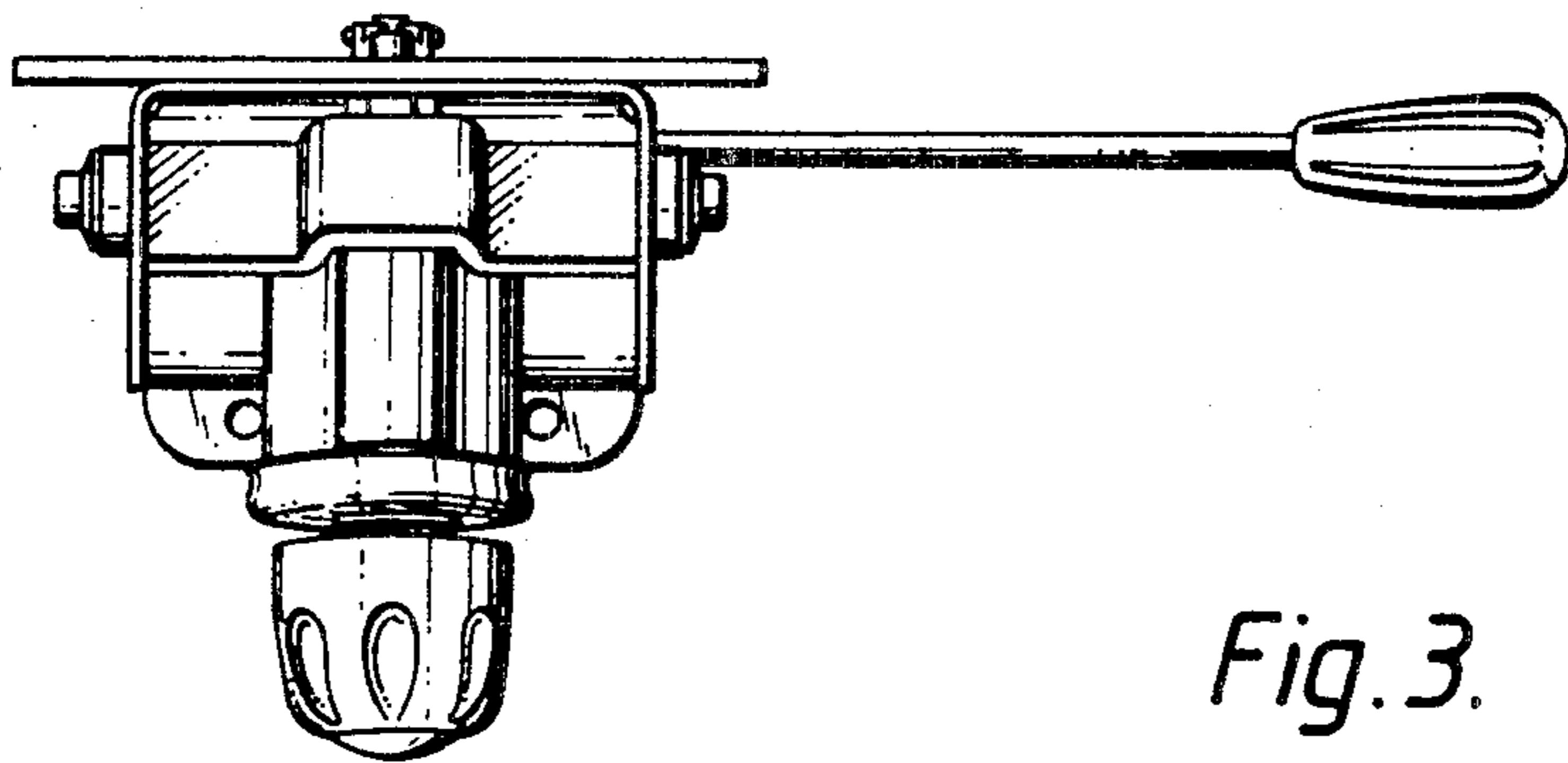


Fig. 3.

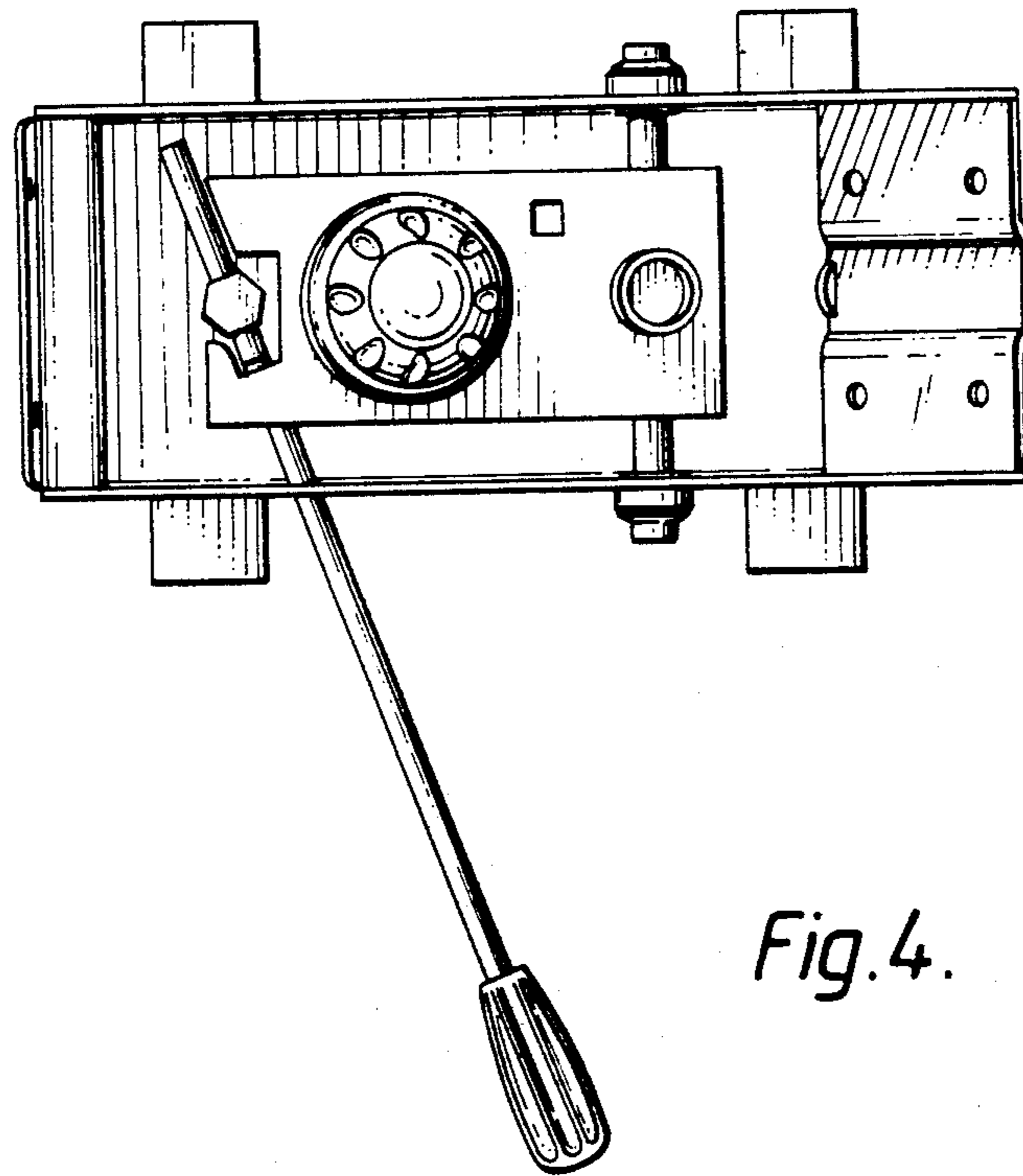


Fig. 4.