

[54] MODULAR WINE RACK

[76] Inventor: Steven K. Levine, 130 E. 18th St., New York, N.Y. 10003

[**] Term: 14 Years

[21] Appl. No.: 568,472

[22] Filed: Jan. 5, 1984

[52] U.S. Cl. D6/462; D6/467

[58] Field of Search D6/449, 466, 467, 469, D6/468, 462; 211/74, 59.4

[56] References Cited

U.S. PATENT DOCUMENTS

D. 236,411	8/1975	Horney	D7/71
D. 252,550	8/1979	Johnson	D7/71 X
3,746,178	7/1973	Wagschal	211/74
3,870,155	3/1975	Galloway	211/74
4,023,681	5/1977	Plant	211/74
4,093,076	6/1978	Newton	211/74
4,270,662	6/1981	Gonzalez	211/74

FOREIGN PATENT DOCUMENTS

2835264 2/1980 Fed. Rep. of Germany 211/74
1132355 11/1956 France 211/594

Primary Examiner—Carmen H. Vales
Attorney, Agent, or Firm—Blum Kaplan

[57] CLAIM

The ornamental design for a modular wine rack, as shown and described.

DESCRIPTION

FIG. 1 is a perspective view of a modular wine rack showing my new design;
FIG. 2 is a front elevational view, the rear view being identical thereto;
FIG. 3 is a left side elevational view, the right side view being identical thereto;
FIG. 4 is a bottom plan view thereof; and
FIG. 5 is a front elevational view similar to FIG. 2 with the clips and top component removed for convenience of illustration.

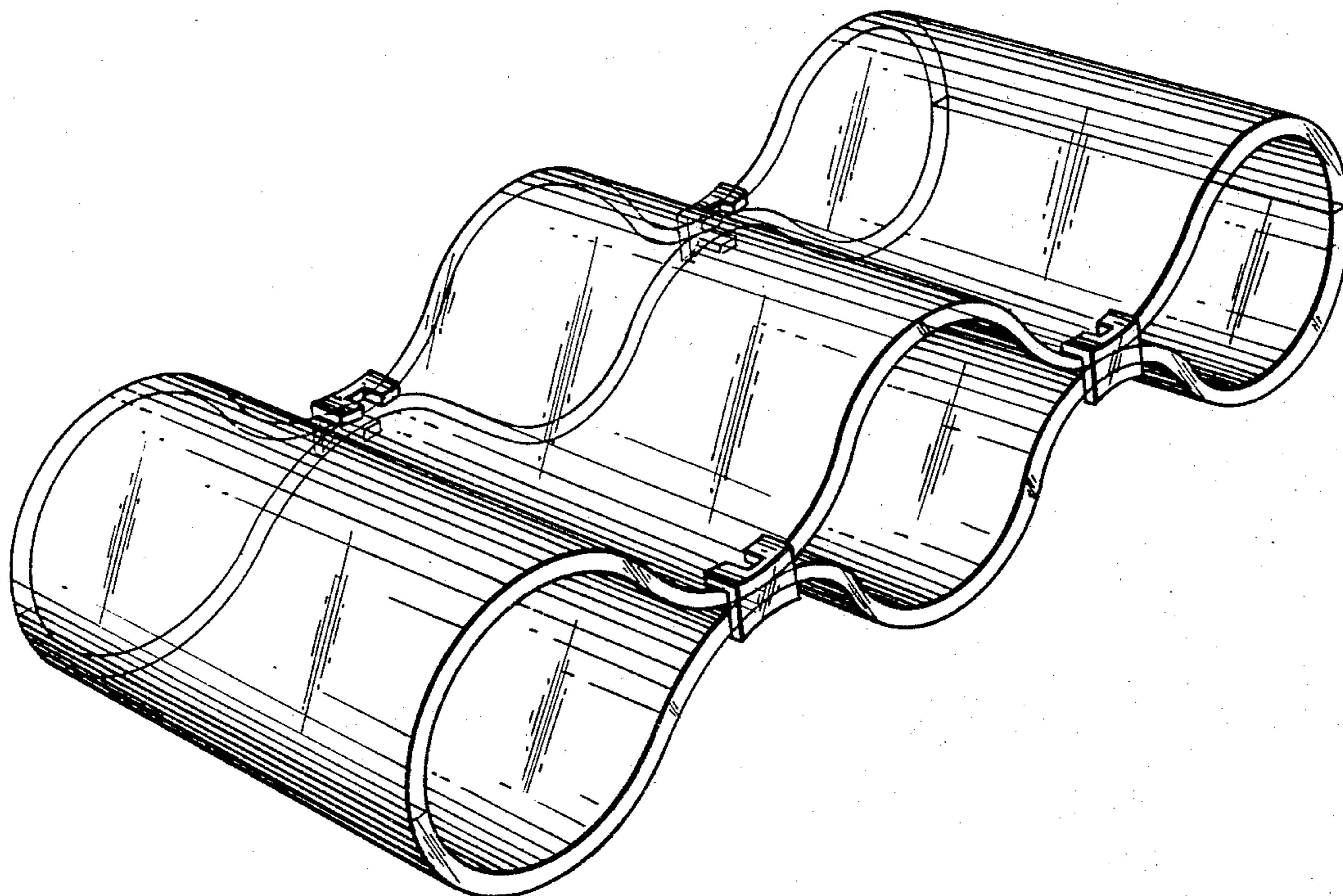


FIG. 1

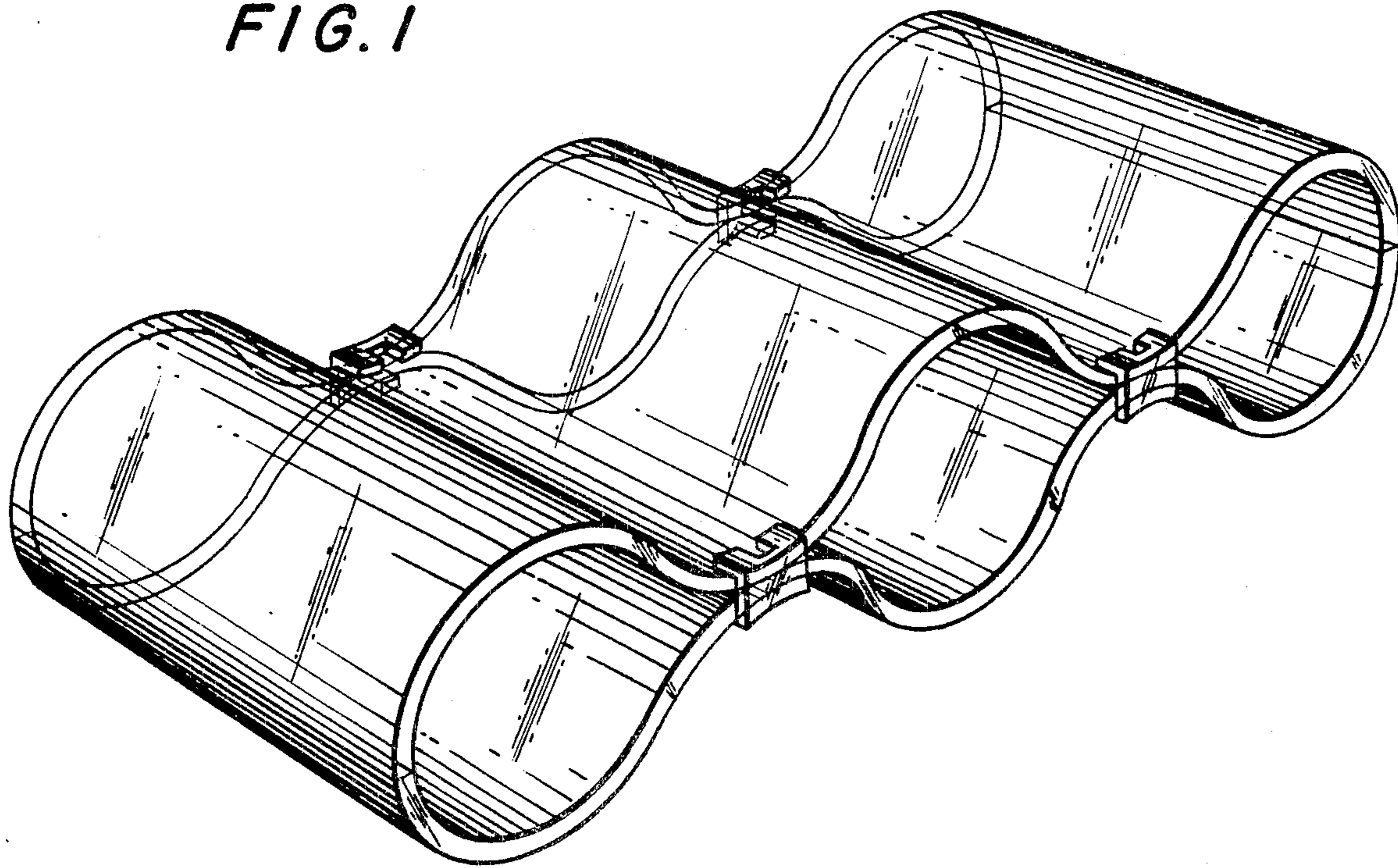


FIG. 2

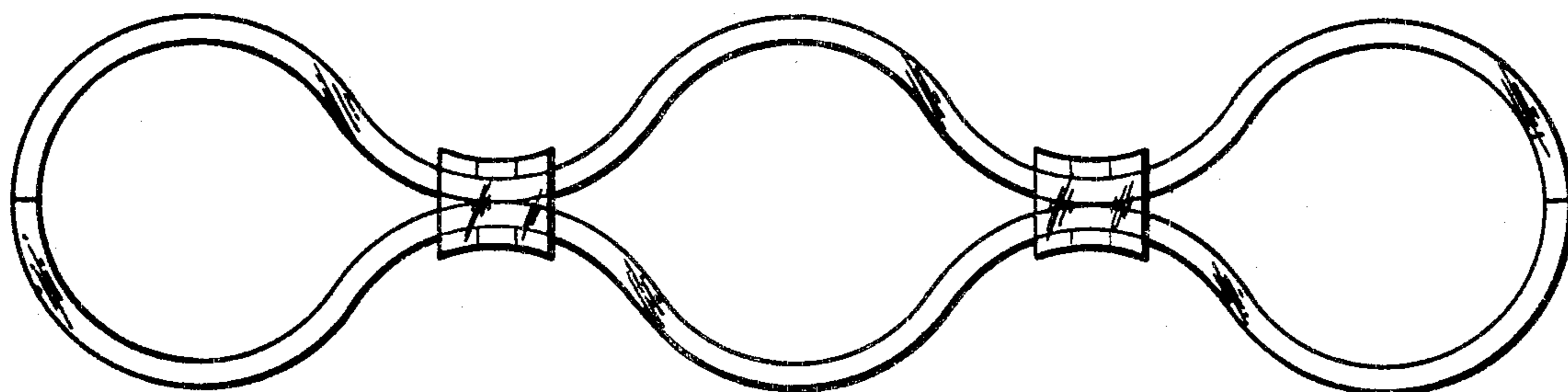


FIG. 3

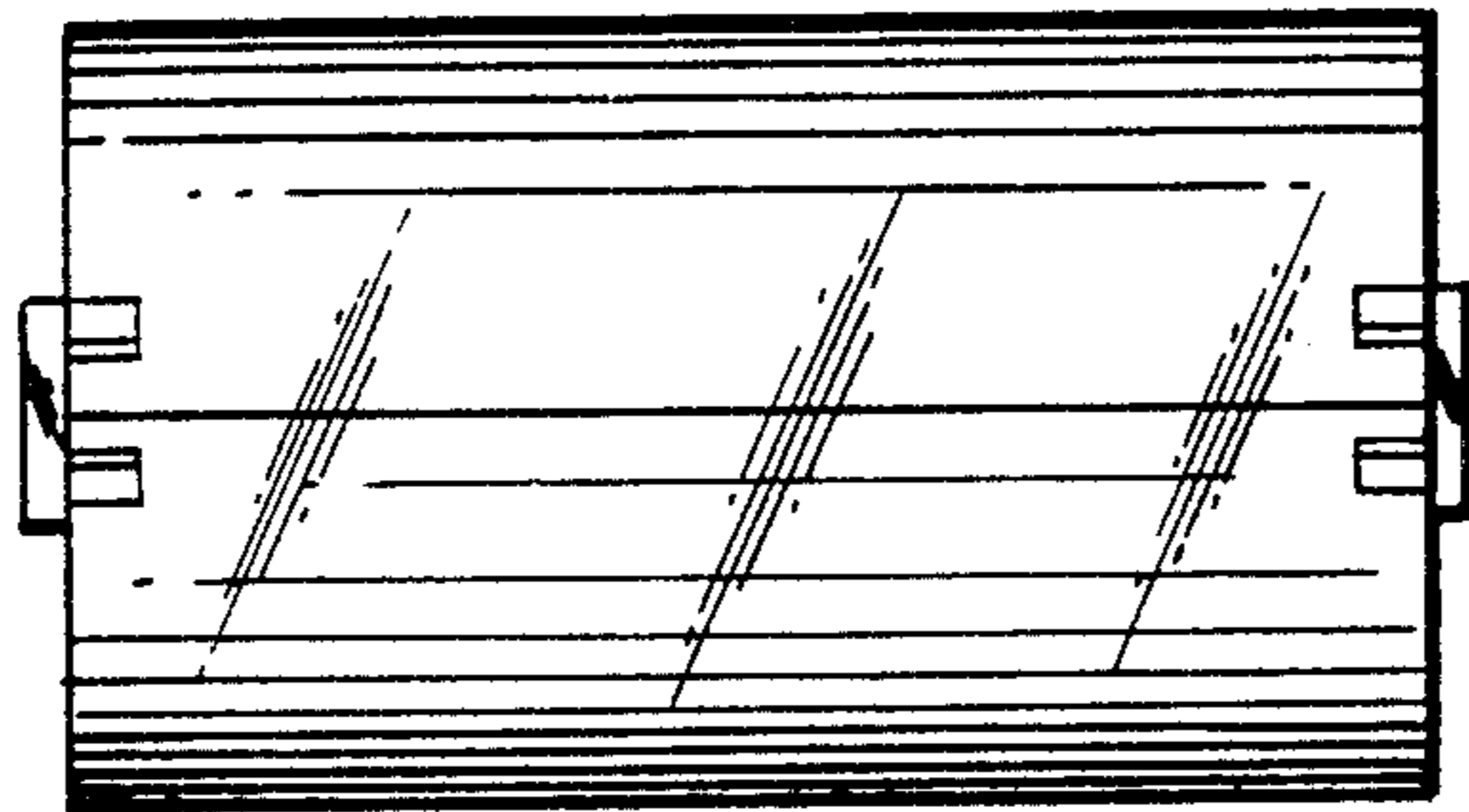


FIG. 4

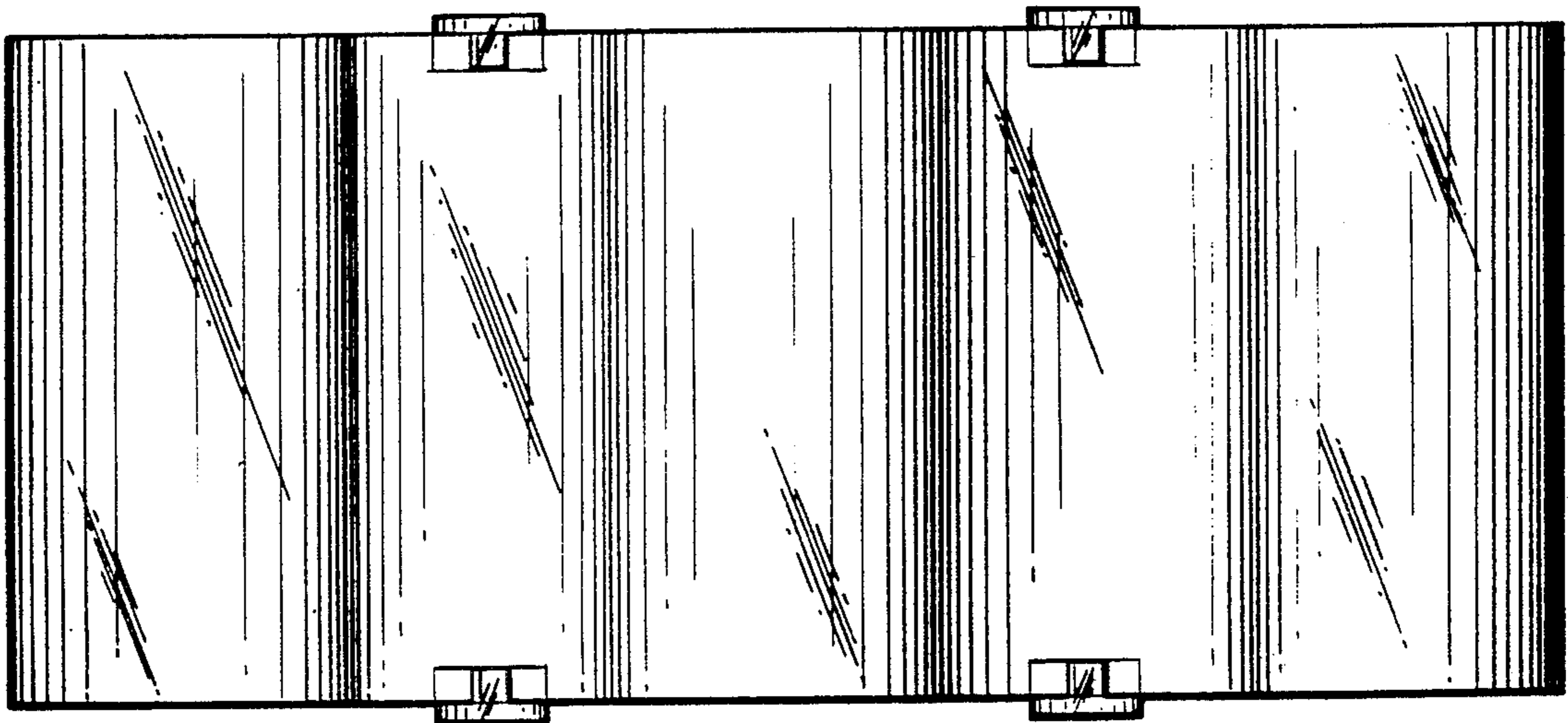


FIG. 5

