

[54] DISPLAY RACK FOR CANDLES

[75] Inventor: Robert J. Staab, Maineville, Ohio

[73] Assignee: Lancaster Colony Corporation, Columbus, Ohio

[**] Term: 14 Years

[21] Appl. No.: 600,133

[22] Filed: Apr. 13, 1984

[52] U.S. Cl. D6/449

[58] Field of Search D6/449, 473, 475, 509, D6/510, 511, 469; 211/13, 59.2

[56] References Cited

U.S. PATENT DOCUMENTS

D. 42,106	1/1912	Friedman	D6/475 X
D. 123,567	11/1940	Fink	D6/473
D. 142,027	8/1945	Glass	D6/449
D. 159,997	9/1950	Mapson	D6/469
D. 259,158	5/1981	Dyson	D6/449
D. 265,703	8/1982	Zaro	D6/574
4,454,948	6/1984	Spamer	211/59.2

OTHER PUBLICATIONS

Candle-Lite 1983/84 Candle Selection Catalog, pp. 2, 3, Jan. 1983, Cadle-Lite Company.

Candle-Lite 1983/84 Candle Selection Catalog, pp. 2, 3, Jan. 1983, Candle-Lite Company.

Primary Examiner—Carmen H. Vales

Attorney, Agent, or Firm—Robert E. Stebens

[57] CLAIM

The ornamental design for a display rack for candles, substantially as shown and described.

DESCRIPTION

FIG. 1 is a perspective view of a display rack for candles showing my new design.

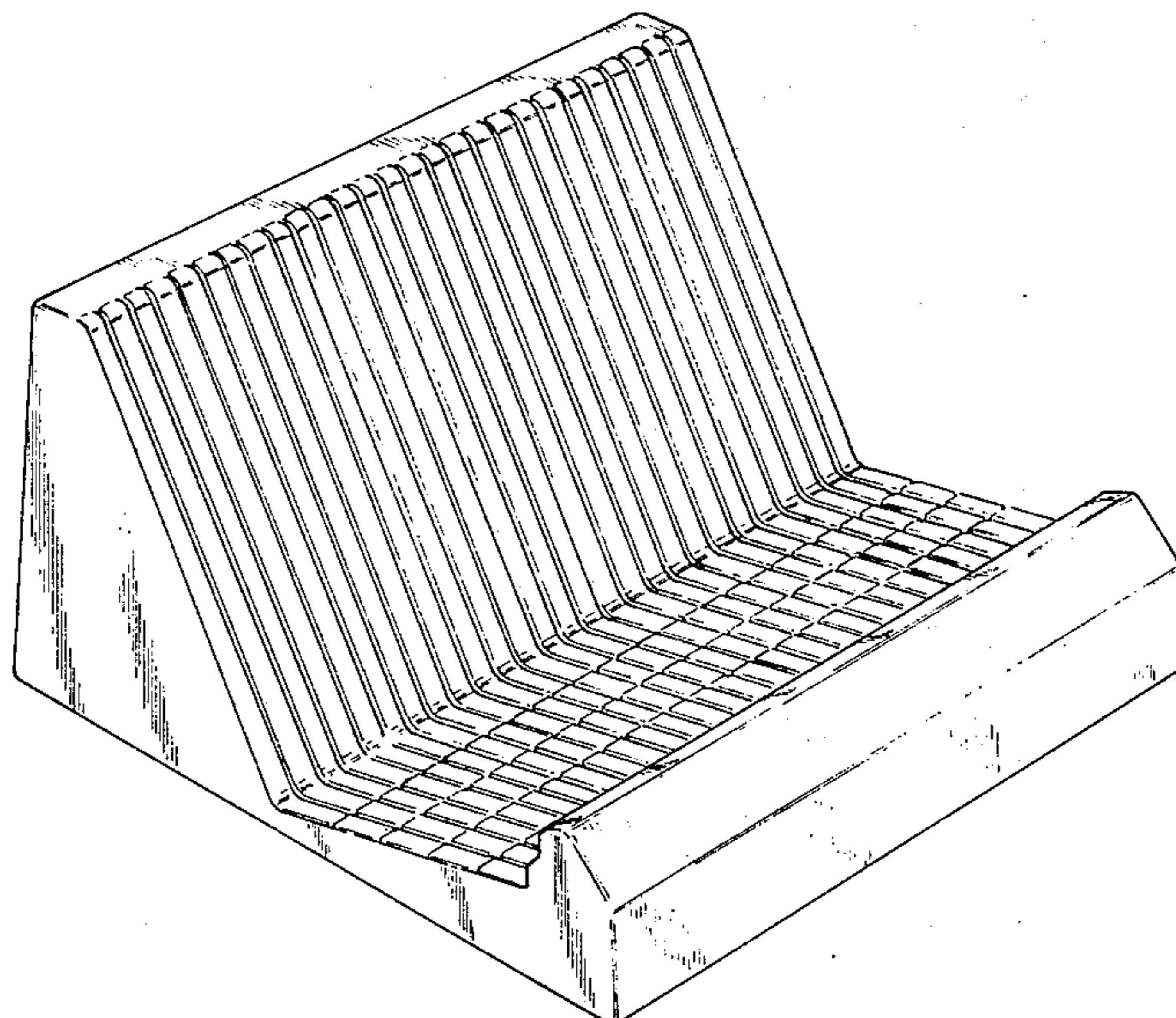
FIG. 2 is a top plan view thereof.

FIG. 3 is a front elevational view as seen from the bottom side of FIG. 2.

FIG. 4 is a side elevational view as seen from the left side of FIG. 2, the opposite side being a mirror image thereof; and

FIG. 5 is a perspective view shown broken away to indicate indeterminate length.

The rear of the display rack for candles is substantially flat and unornamented. The open bottom of the display rack is conventional for the configuration shown.



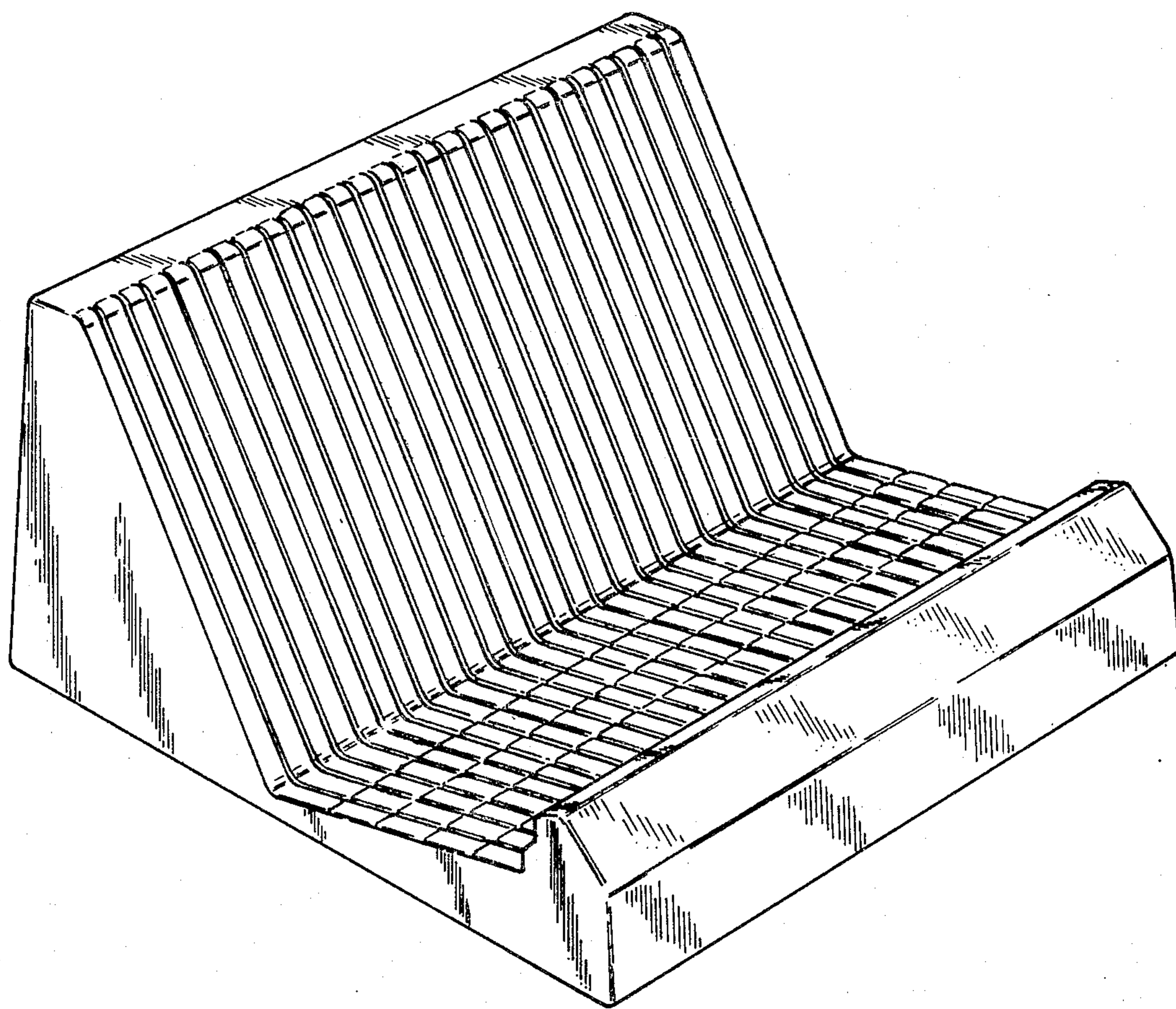


FIG. 1

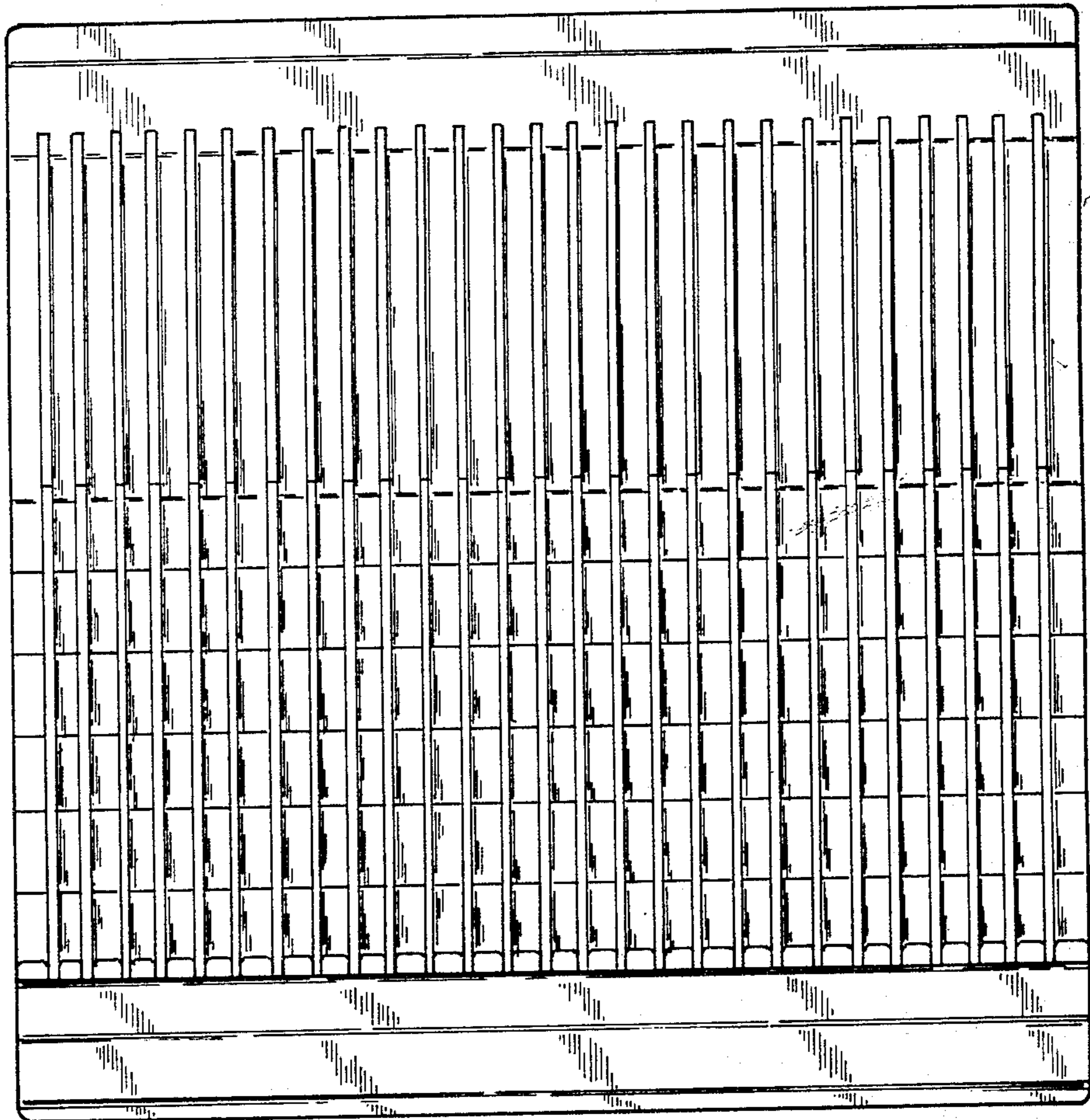


FIG. 2

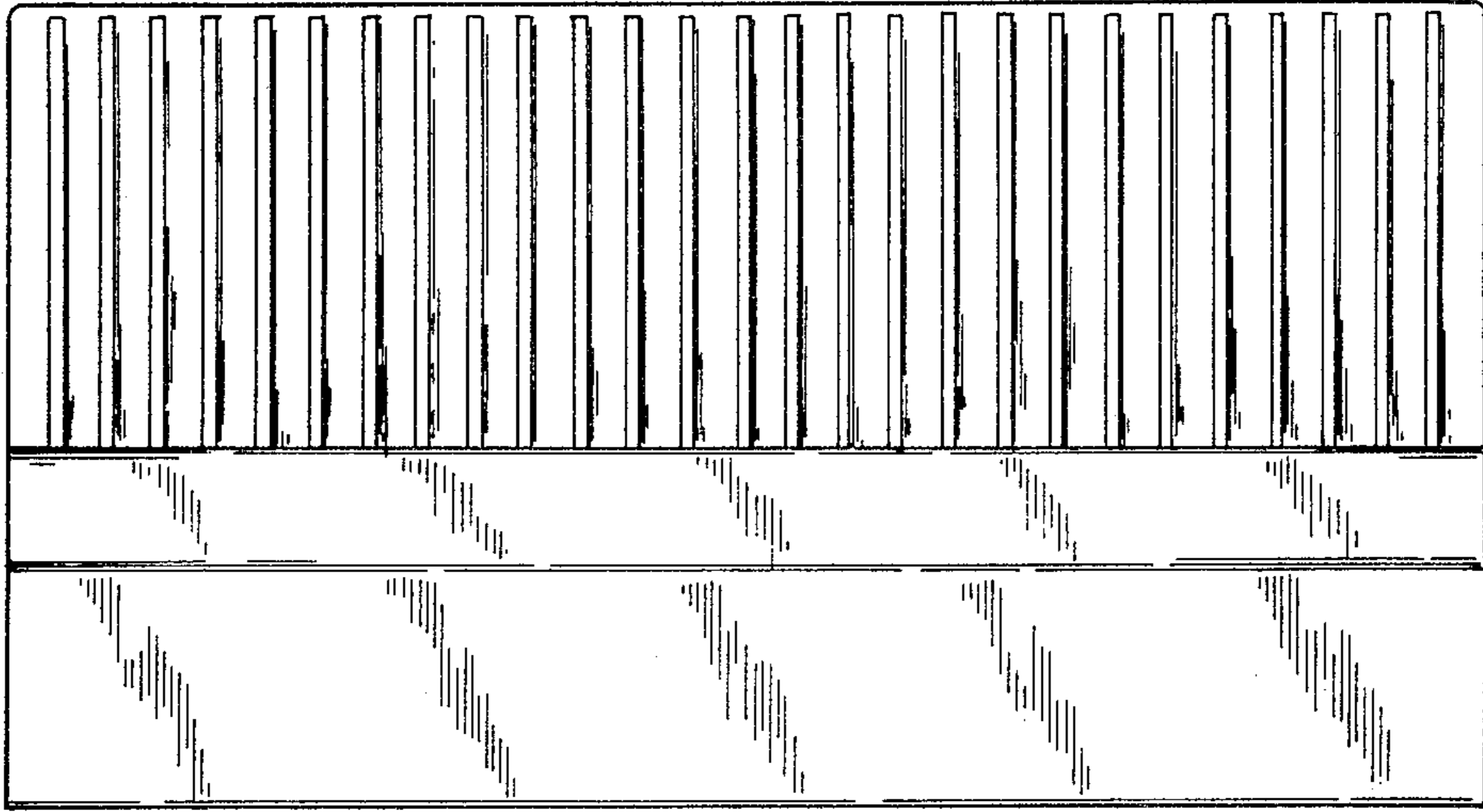


FIG. 3

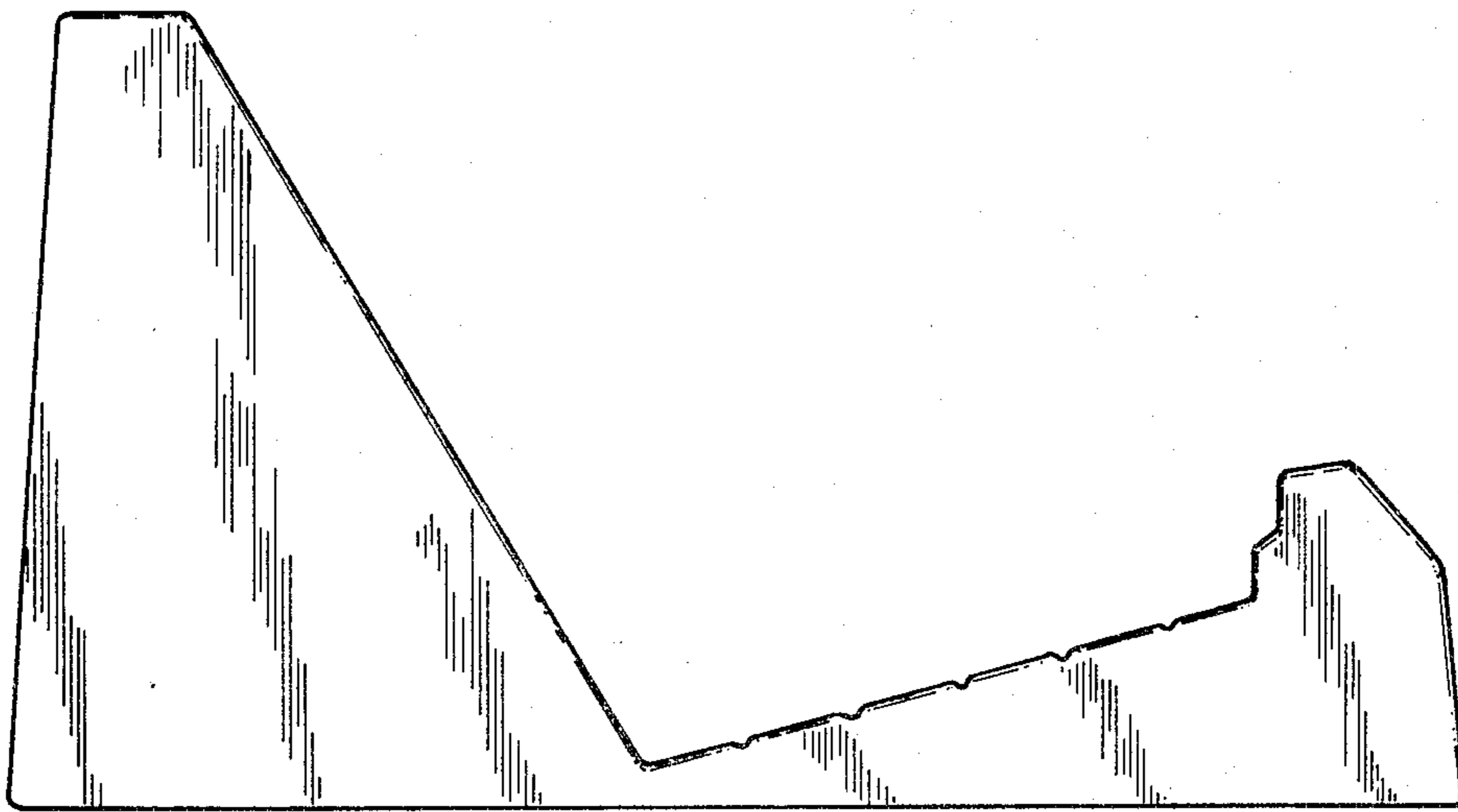


FIG. 4

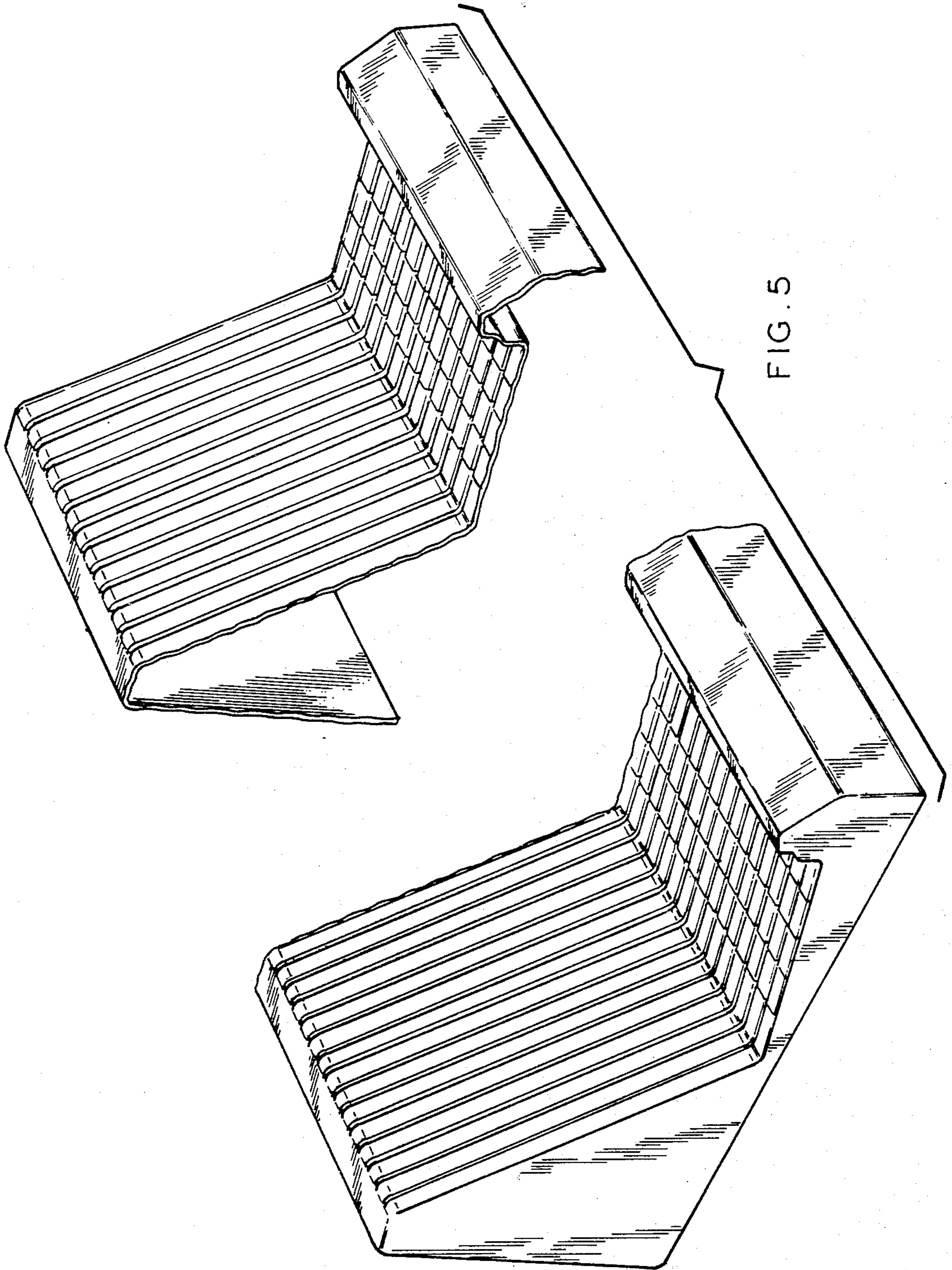


FIG. 5