

[54] TOOTHBRUSH

[76] Inventor: Kit L. Chan, 173 Henry St., Apt. 5D, New York, N.Y. 10002

[\*\*] Term: 14 Years

[21] Appl. No.: 803,828

[22] Filed: Dec. 2, 1985

[52] U.S. Cl. .... D4/104

[58] Field of Search ..... D4/104-113, D4/199; 15/167 R, 143 R, 248 R; 132/84

[56] References Cited

U.S. PATENT DOCUMENTS

- 851,550 4/1907 Nevius ..... 15/167 R
- 878,486 2/1908 Crowell ..... 15/167 R

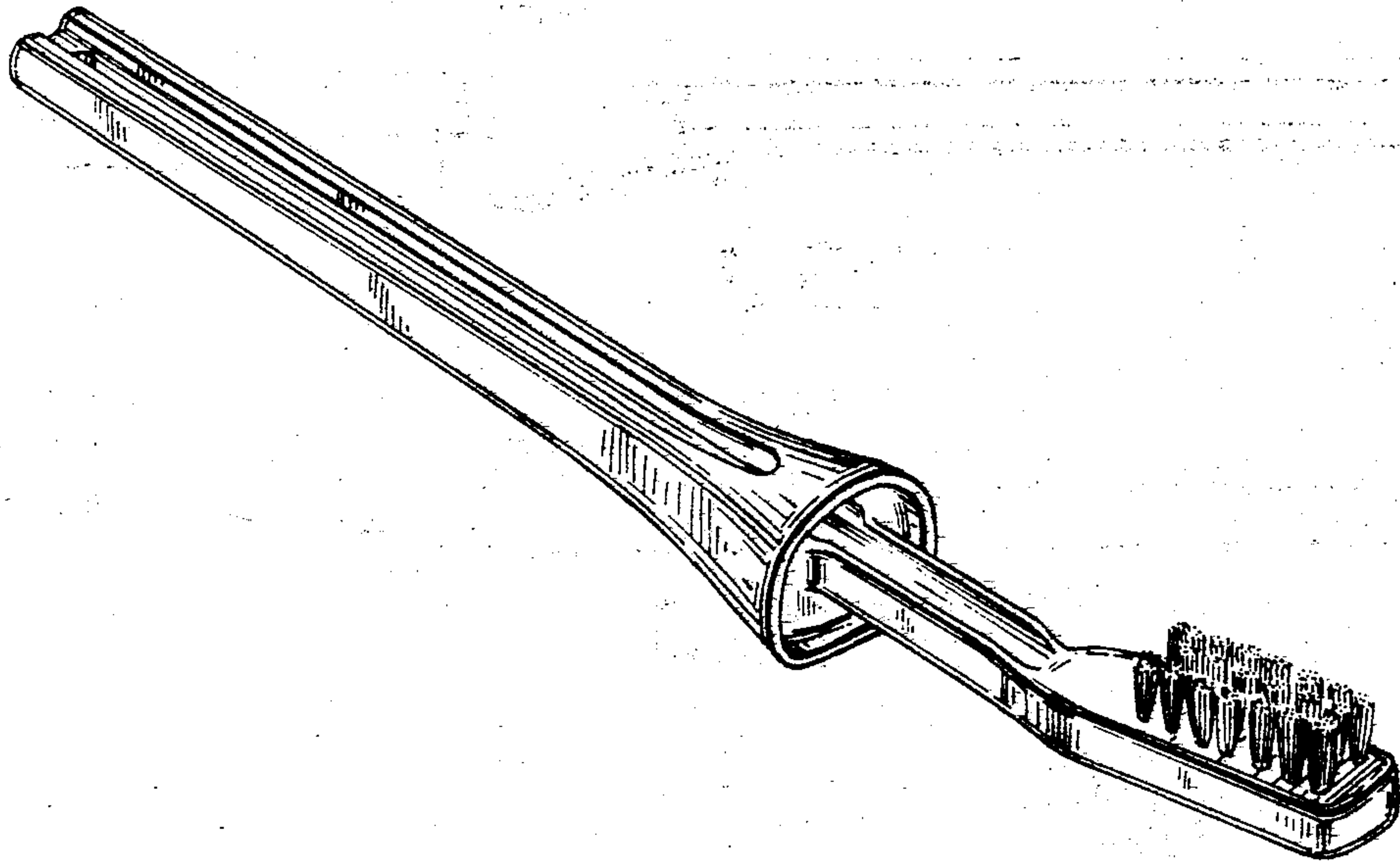
Primary Examiner—Catherine E. Kemper  
Attorney, Agent, or Firm—Goodman & Teitelbaum

[57] CLAIM

The ornamental design for a toothbrush, substantially as shown.

DESCRIPTION

FIG. 1 is a perspective view of a toothbrush, showing my new design;  
 FIG. 2 is a top plan view thereof;  
 FIG. 3 is a side elevational view thereof;  
 FIG. 4 is an enlarged front elevational view thereof;  
 FIG. 5 is an enlarged rear elevational view thereof;  
 FIG. 6 is a bottom plan view thereof; and  
 FIG. 7 is an enlarged cross sectional view taken along line 7—7 of FIG. 2.



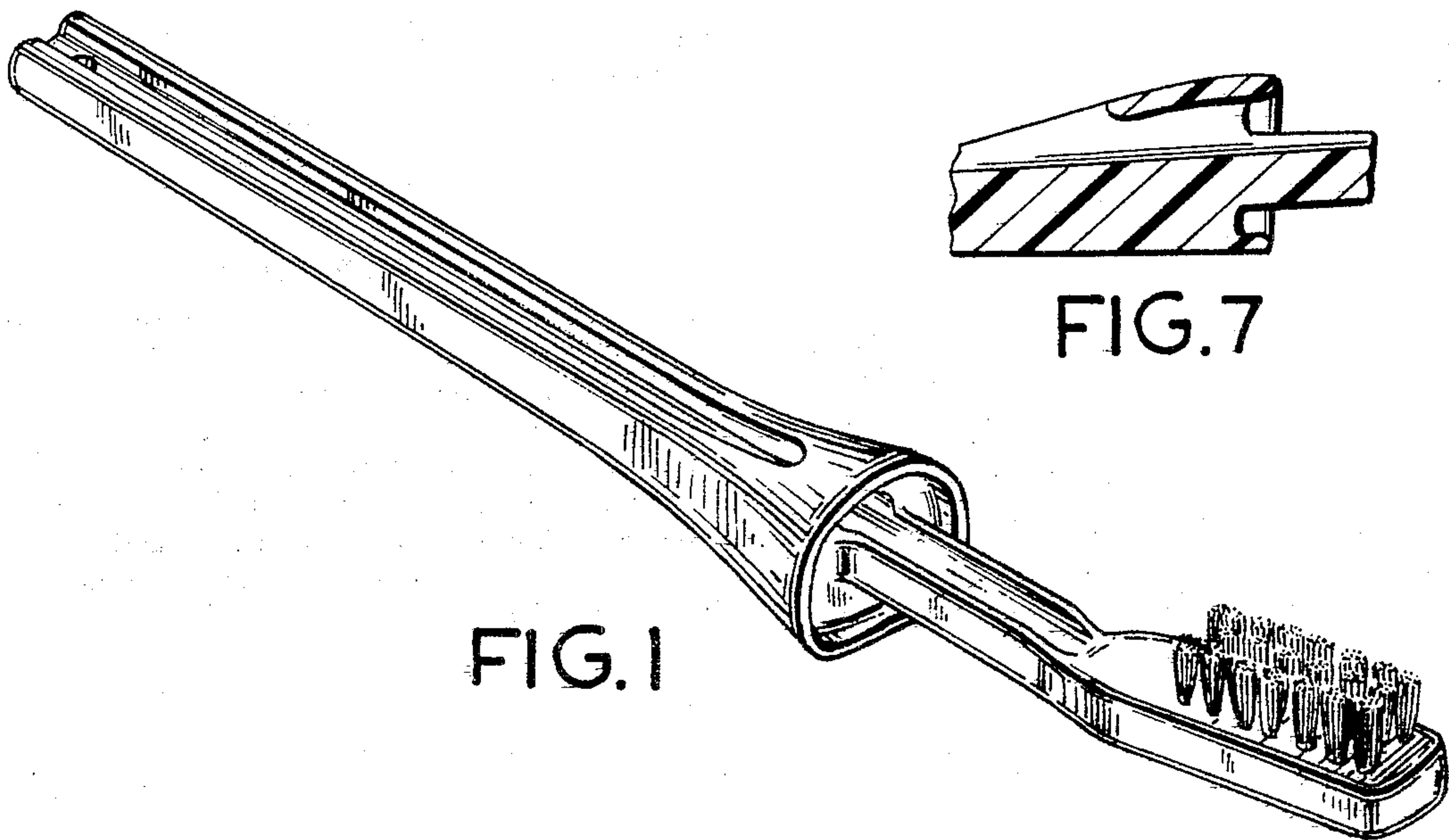


FIG. 1

FIG. 7

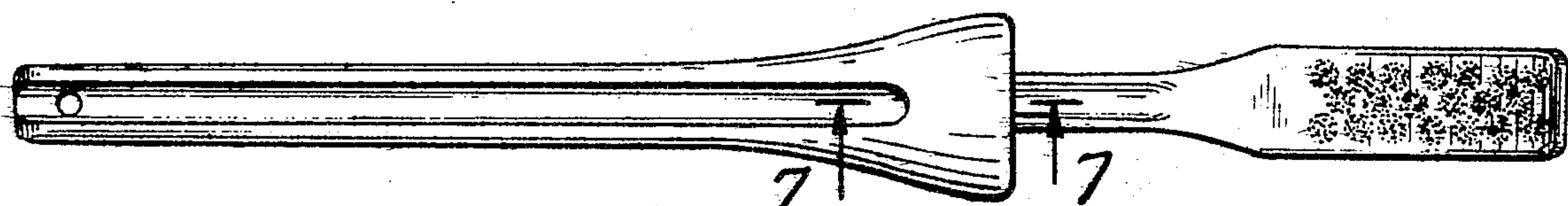


FIG. 2



FIG. 3

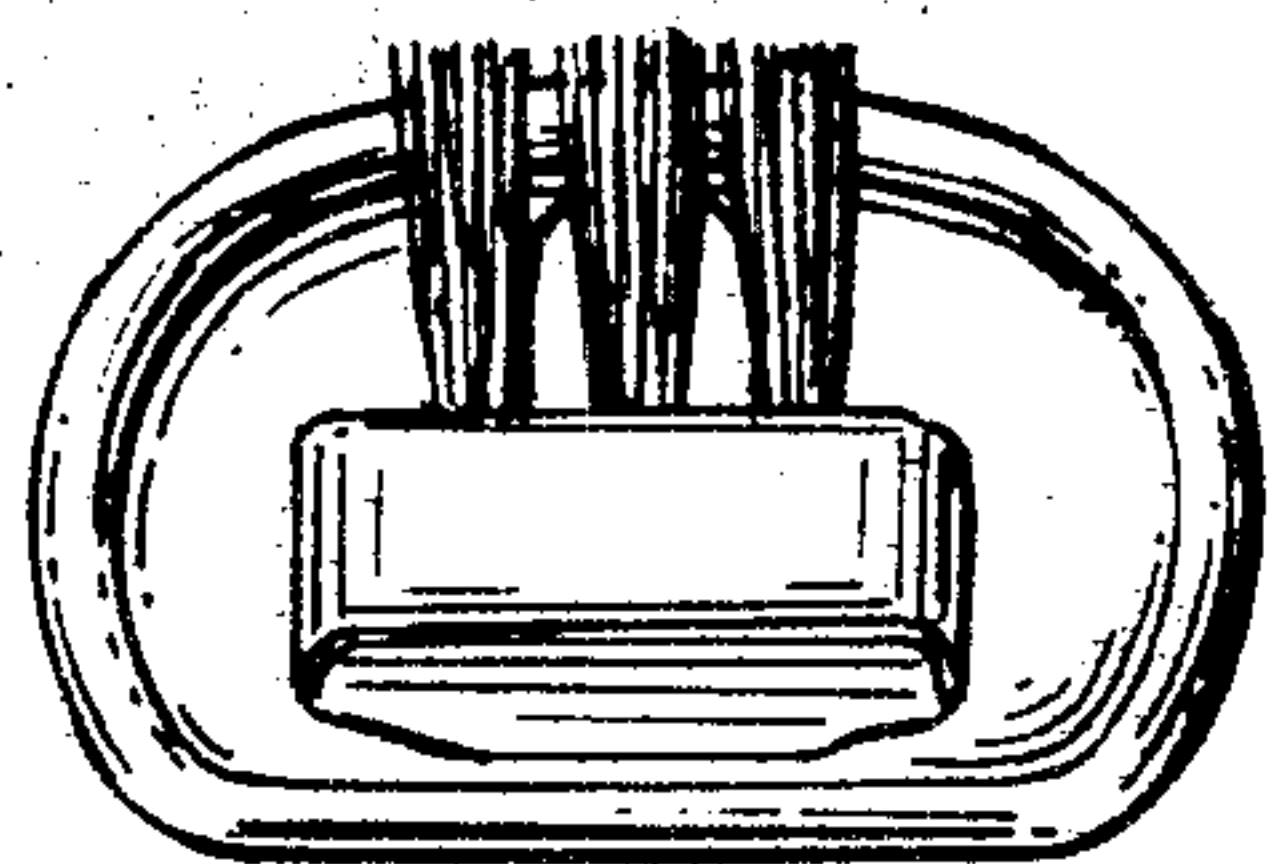


FIG. 4

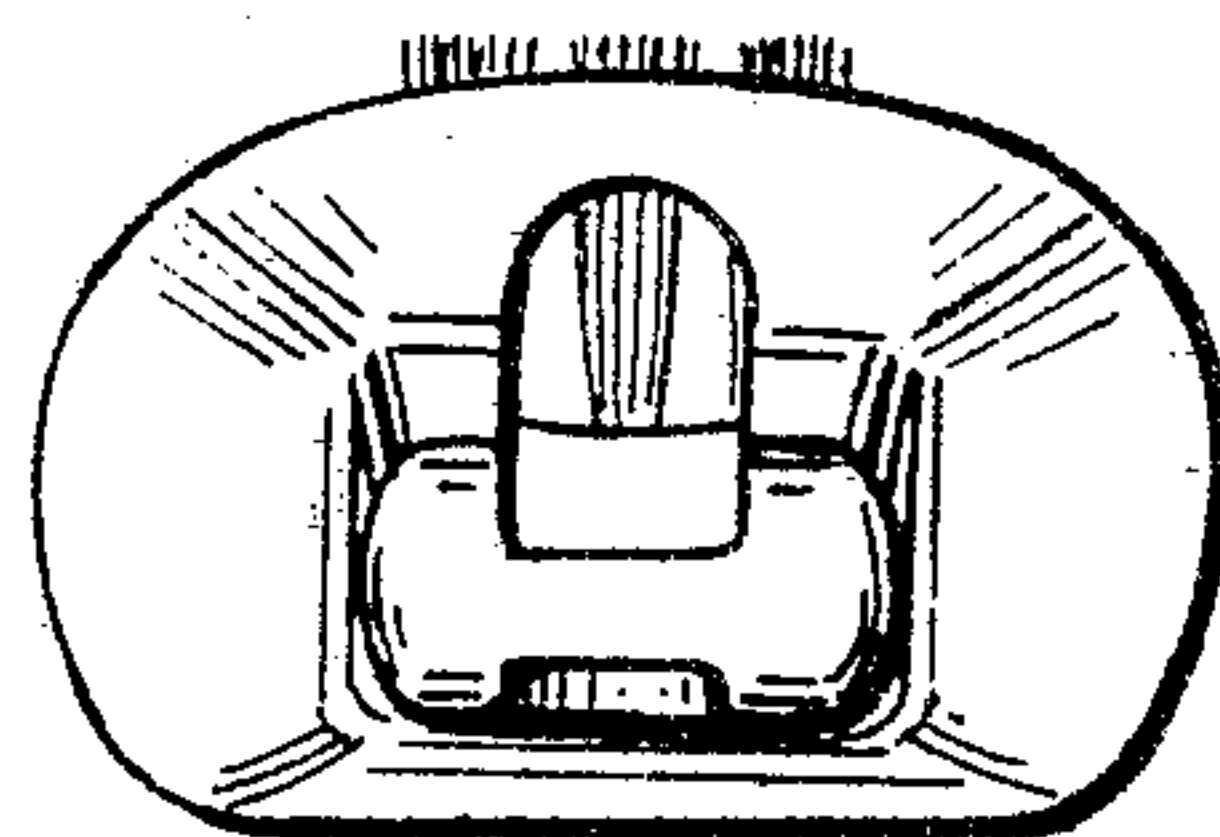


FIG. 5

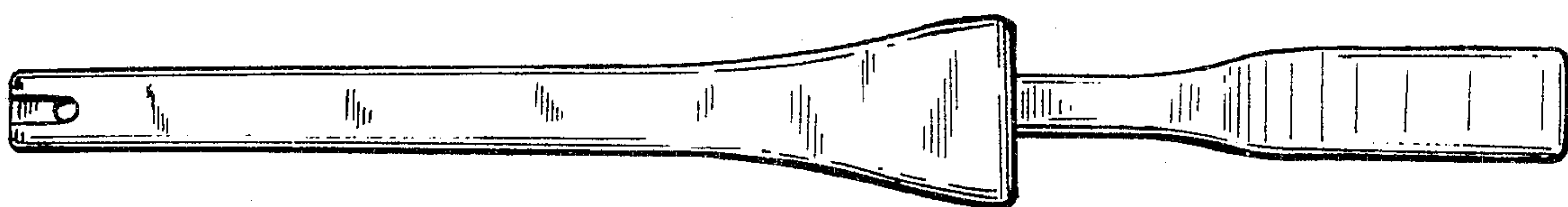


FIG. 6