

[54] **ELASTIC CAP FOR KNITTING NEEDLES**

[75] **Inventor: Yoshiaki Gakiya, Habikino, Japan**

[73] **Assignee: Clover Mfg. Co., Ltd., Osaka, Japan**

[**] **Term: 14 Years**

[21] **Appl. No.: 653,847**

[22] **Filed: Sep. 24, 1984**

[30] **Foreign Application Priority Data**
Mar. 27, 1984 [JP] Japan D59-12004

[52] **U.S. Cl. D3/28**

[58] **Field of Search D3/28, 18; 66/116-118;
D9/338; D28/7; 128/9**

[56] **References Cited**
U.S. PATENT DOCUMENTS

D. 279,835	7/1985	Gakiya	D3/28
997,474	7/1911	Stuckel	66/117
2,040,289	5/1936	Adams	D3/28 X
4,006,738	2/1977	Moore et al.	128/9

Primary Examiner—Bernard Ansher
Assistant Examiner—Terry Pfeffer
Attorney, Agent, or Firm—Birch, Stewart, Kolasch & Birch

[57] **CLAIM**
The ornamental design for an elastic cap for knitting needles, as shown and described.

DESCRIPTION
FIG. 1 is a perspective view of an elastic cap for knitting needles showing my new design;
FIG. 2 is a front elevational view thereof;
FIG. 3 is a left side elevational view thereof; and
FIG. 4 is a right side elevational view thereof.

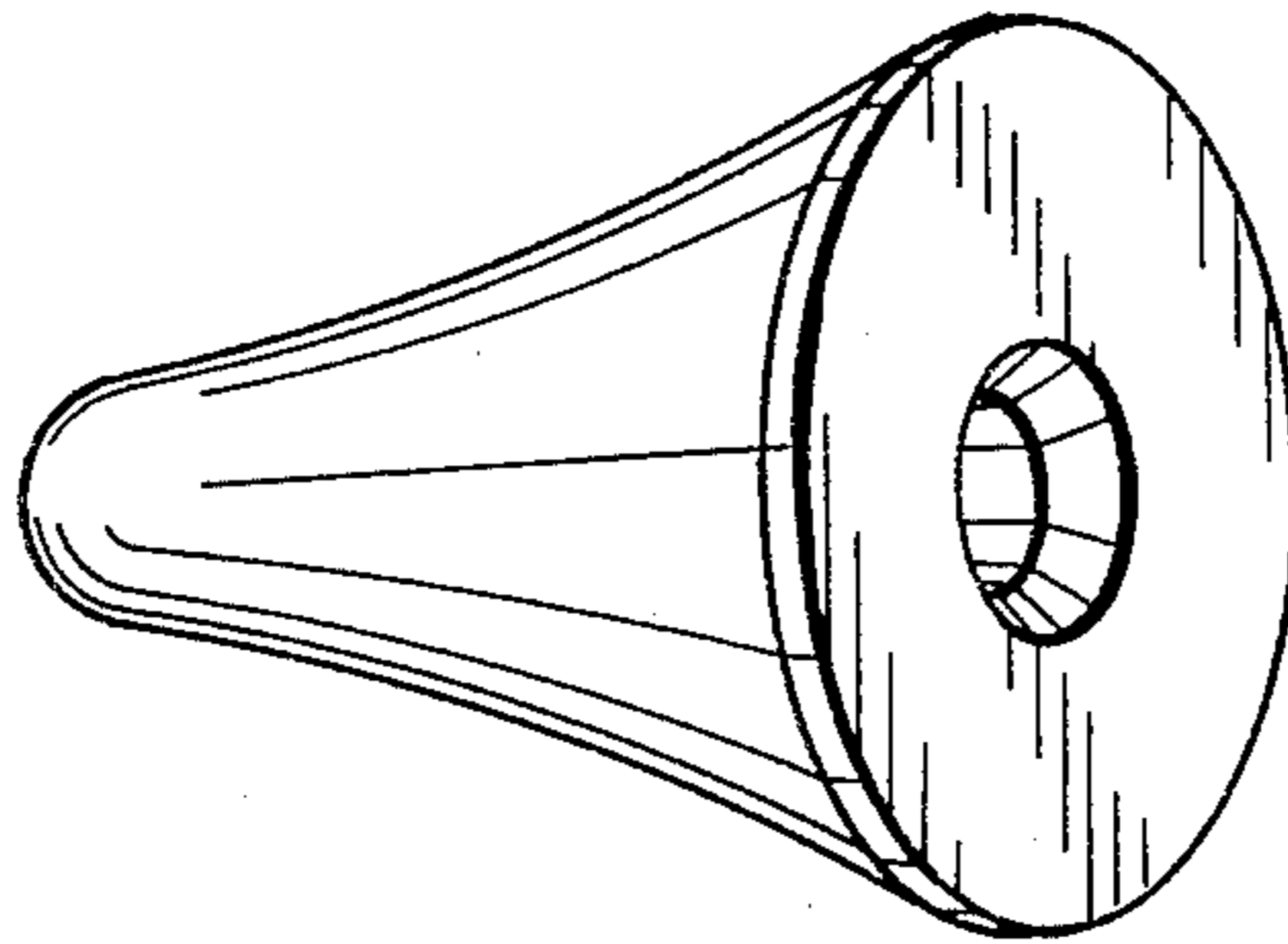


FIG. 1

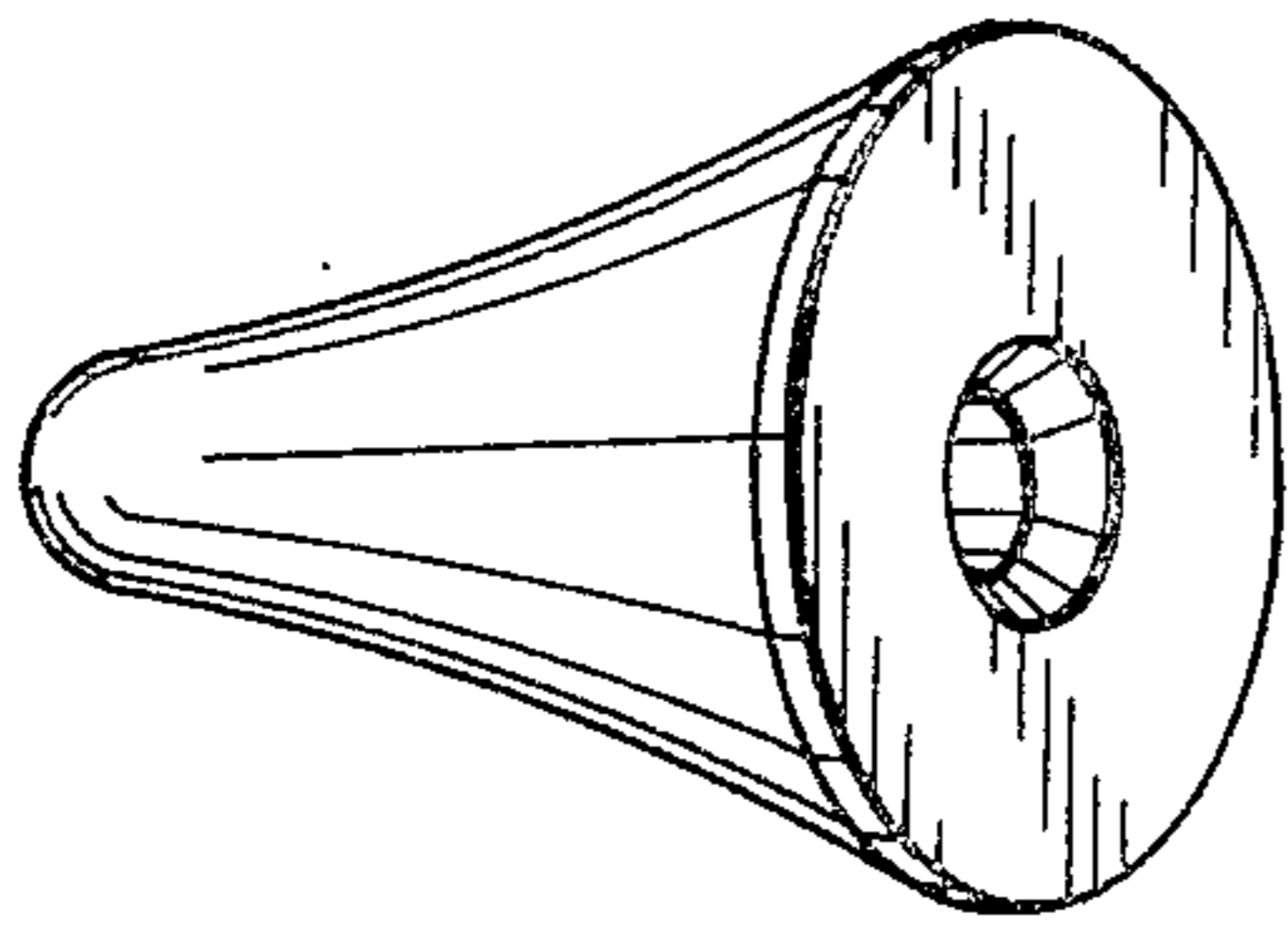


FIG. 2

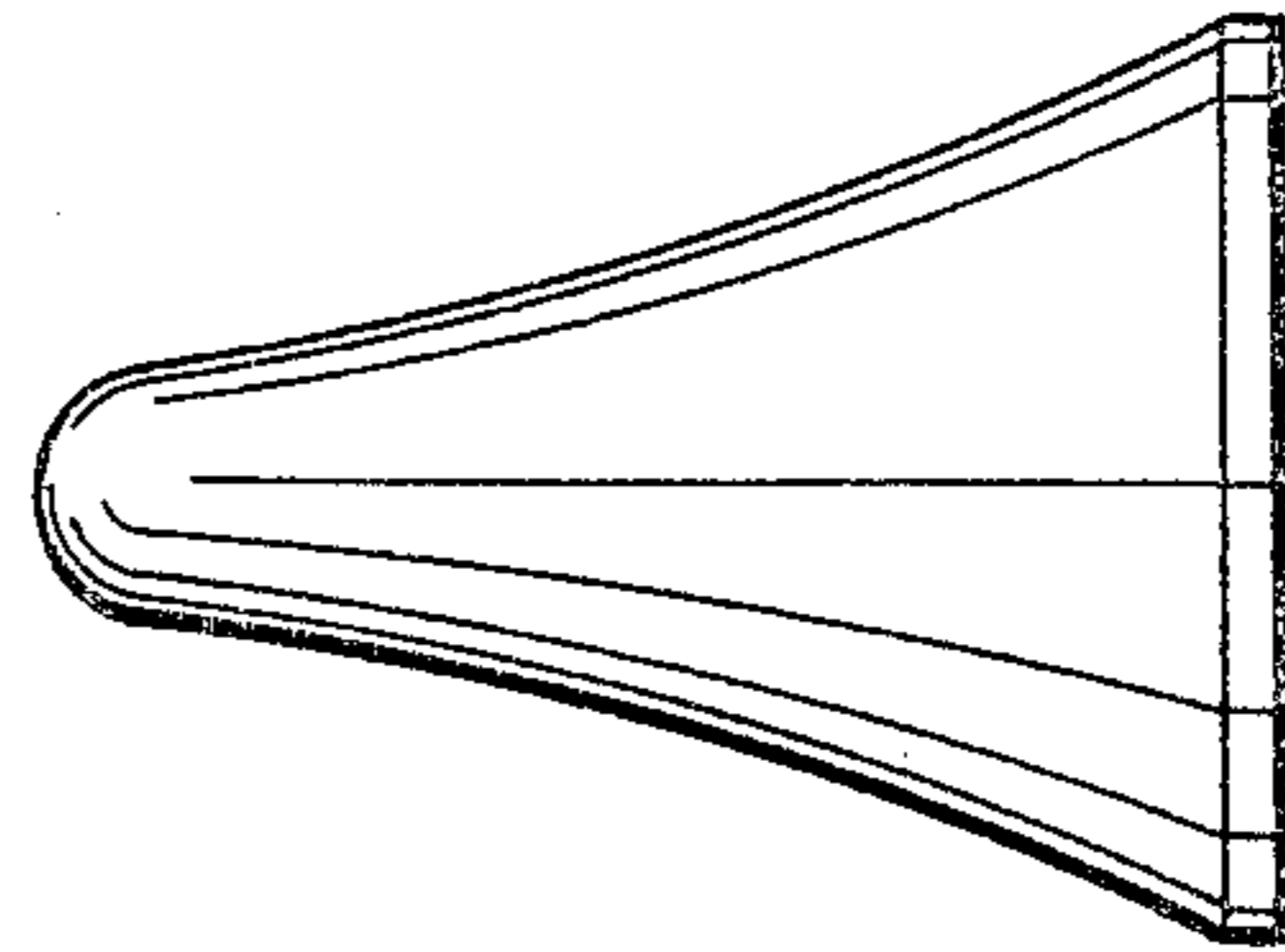


FIG. 3

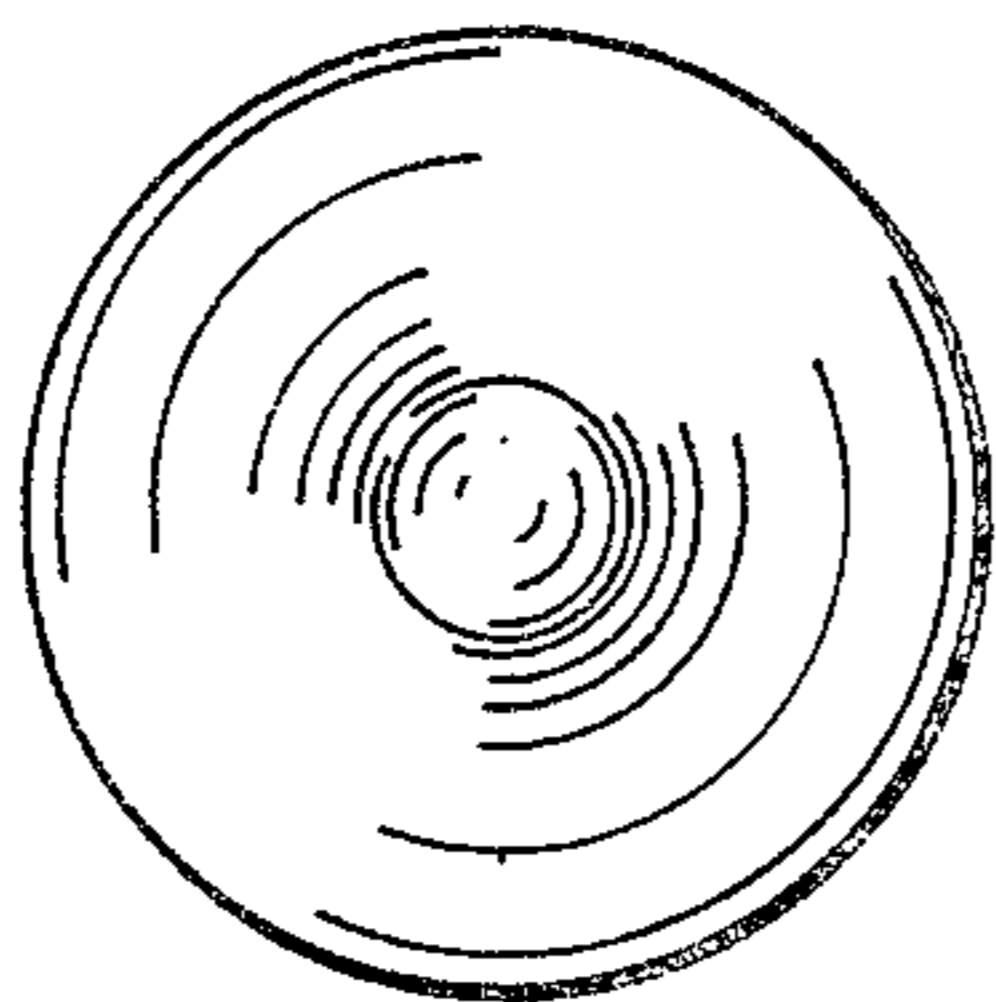


FIG. 4

