

[54] **WASTEBASKET FRAME**

[76] **Inventor: Charles H. Graham, 7281 S. 3100 East, Salt Lake City, Utah 84121**

[**] **Term: 14 Years**

[21] **Appl. No.: 646,587**

[22] **Filed: Aug. 31, 1984**

[52] **U.S. Cl. D34/5**

[58] **Field of Search D34/1-11; D6/484, 486; 248/95, 97, 99, 100, 101; 53/390**

[56] **References Cited**

U.S. PATENT DOCUMENTS

D. 263,192 3/1982 Le Van D6/484

D. 275,807 10/1984 Peterson D34/6
2,731,184 1/1956 Thurber, Jr. 248/99
2,781,536 2/1957 Paul 248/99
4,273,167 6/1981 Stillwell 248/97

Primary Examiner—Wallace R. Burke
Assistant Examiner—Kay H. Chin
Attorney, Agent, or Firm—Trask, Britt & Rossa

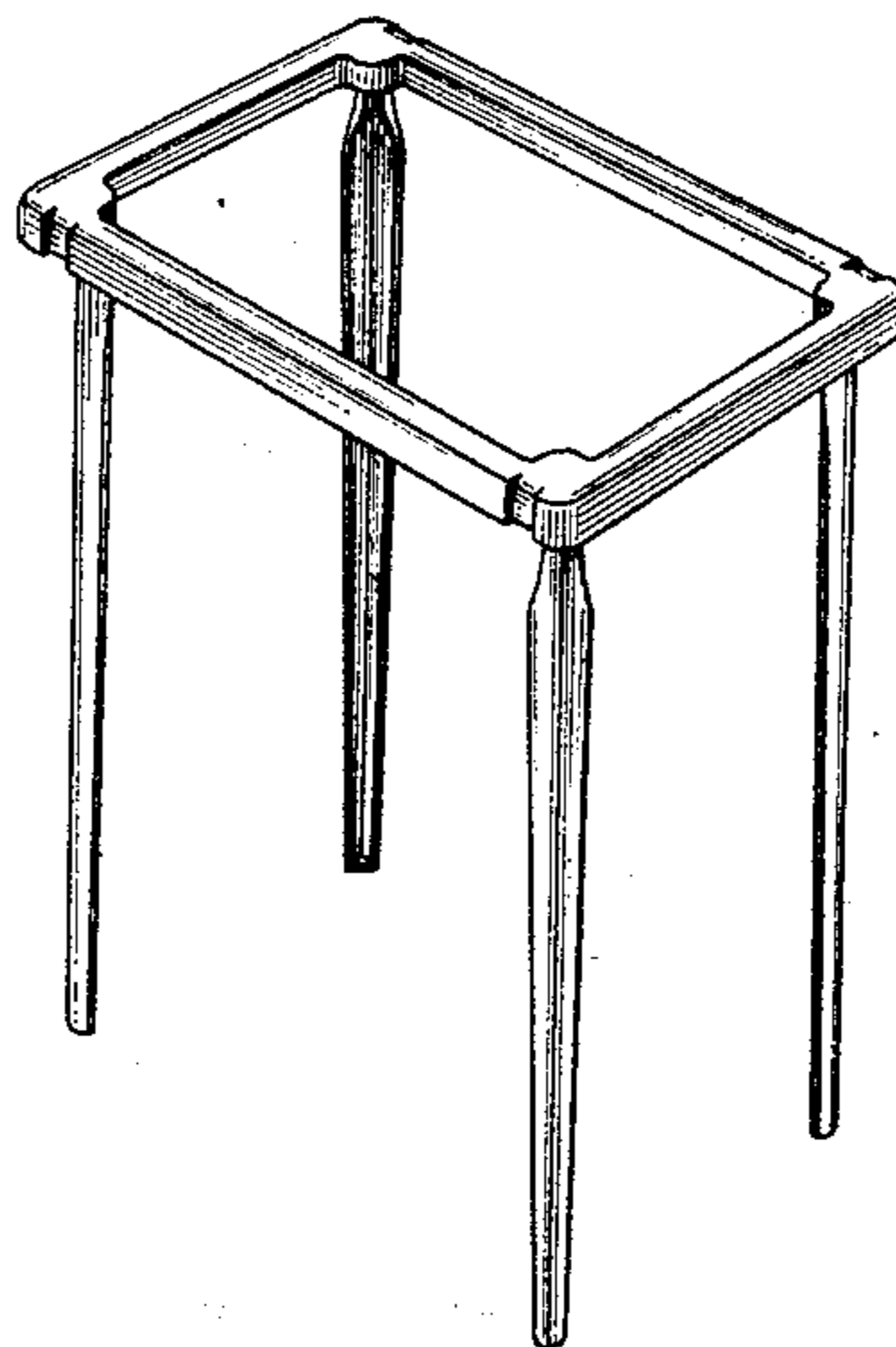
[57] **CLAIM**

The ornamental design for a wastebasket frame, as shown.

DESCRIPTION

FIG. 1 is a top perspective view of a wastebasket frame showing my new design;

FIG. 2 is a bottom perspective view thereof.



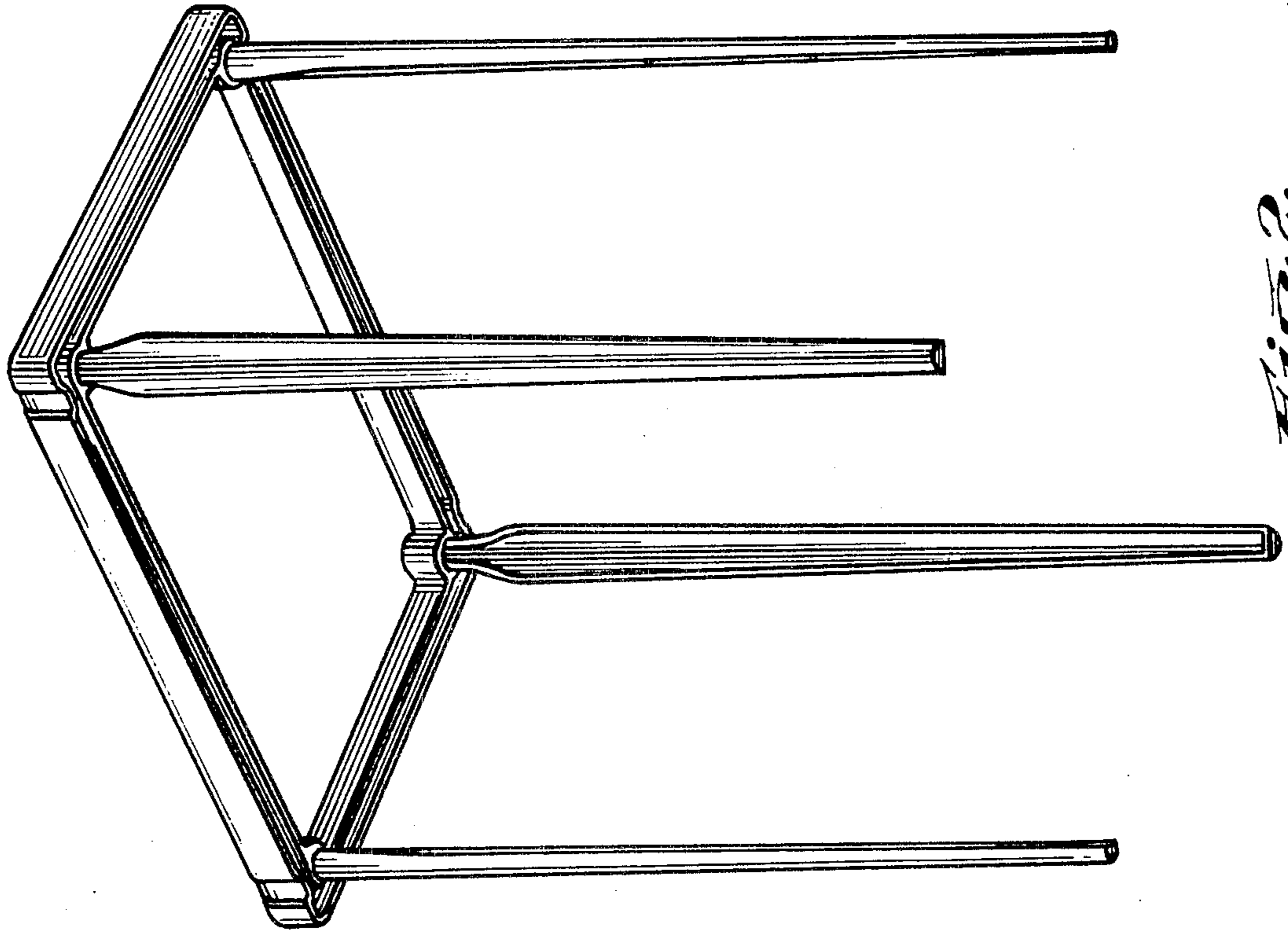


Fig. 2.

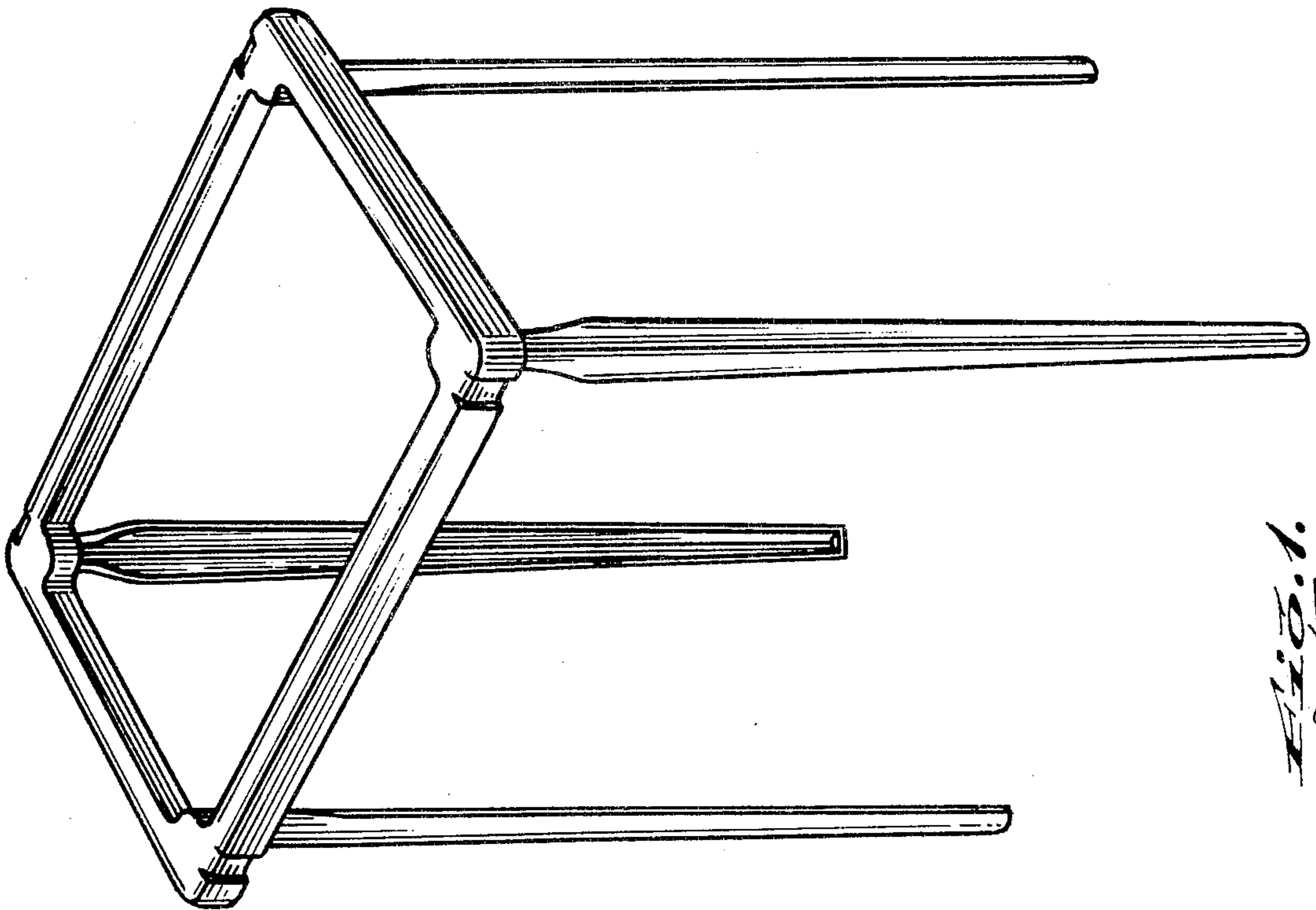


Fig. 1.