

[54] VACUUM CLEANER

[75] Inventors: Eiji Okada, Nara; Motoi Furuta, Hyogo, both of Japan

[73] Assignee: Matsushita Electric Industrial Co., Ltd., Japan

[\*\*] Term: 14 Years

[21] Appl. No.: 567,016

[22] Filed: Dec. 30, 1983

[30] Foreign Application Priority Data

Jul. 1, 1983 [JP] Japan ..... 58-28722

[52] U.S. Cl. .... D32/18

[58] Field of Search ..... D32/17-18, D32/24; 15/320-327 R, 327 D, 327 E, 344, 143 A, 146, 300 R, 329-330, 352, 354, 361, 363, 412

[56] References Cited

U.S. PATENT DOCUMENTS

D. 158,441	5/1950	Cherry	.....	D32/24
D. 219,883	2/1971	Zijlstra	.....	D32/18
D. 257,661	12/1980	Gantz	.....	D32/18
D. 277,706	2/1985	Wareham	.....	D32/18
D. 279,513	7/1985	Rinaldi et al.	.....	D32/18
D. 280,452	9/1985	Arita	.....	D32/18
D. 280,453	9/1985	Tsuji	.....	D32/18

OTHER PUBLICATIONS

2 page flyer, Sanyo Electric Inc., printed in Japan, Jan,

1983, and distributed in U.S. Feb., 1983 (vacuum cleaner).

Merchandising Magazine, May 1983, p. 84 (vacuum cleaner).

Housewares Products, CHARG-A-VAC, Royal United International (vacuum cleaner).

Merchandising Magazine Jul. 1983, p. 36, "The Clean-Up Machine" Norelco (vacuum cleaner). "The Clean-Up Machine".

Primary Examiner—James M. Gandy

Assistant Examiner—Ruth E. Takemoto

Attorney, Agent, or Firm—Sughrue, Mion, Zinn, Macpeak & Seas

[57] CLAIM

The ornamental design for a vacuum cleaner, as shown.

DESCRIPTION

FIG. 1 is a front, top and right side perspective view of a vacuum cleaner showing our new design;

FIG. 2 is a rear, bottom and left side perspective view thereof;

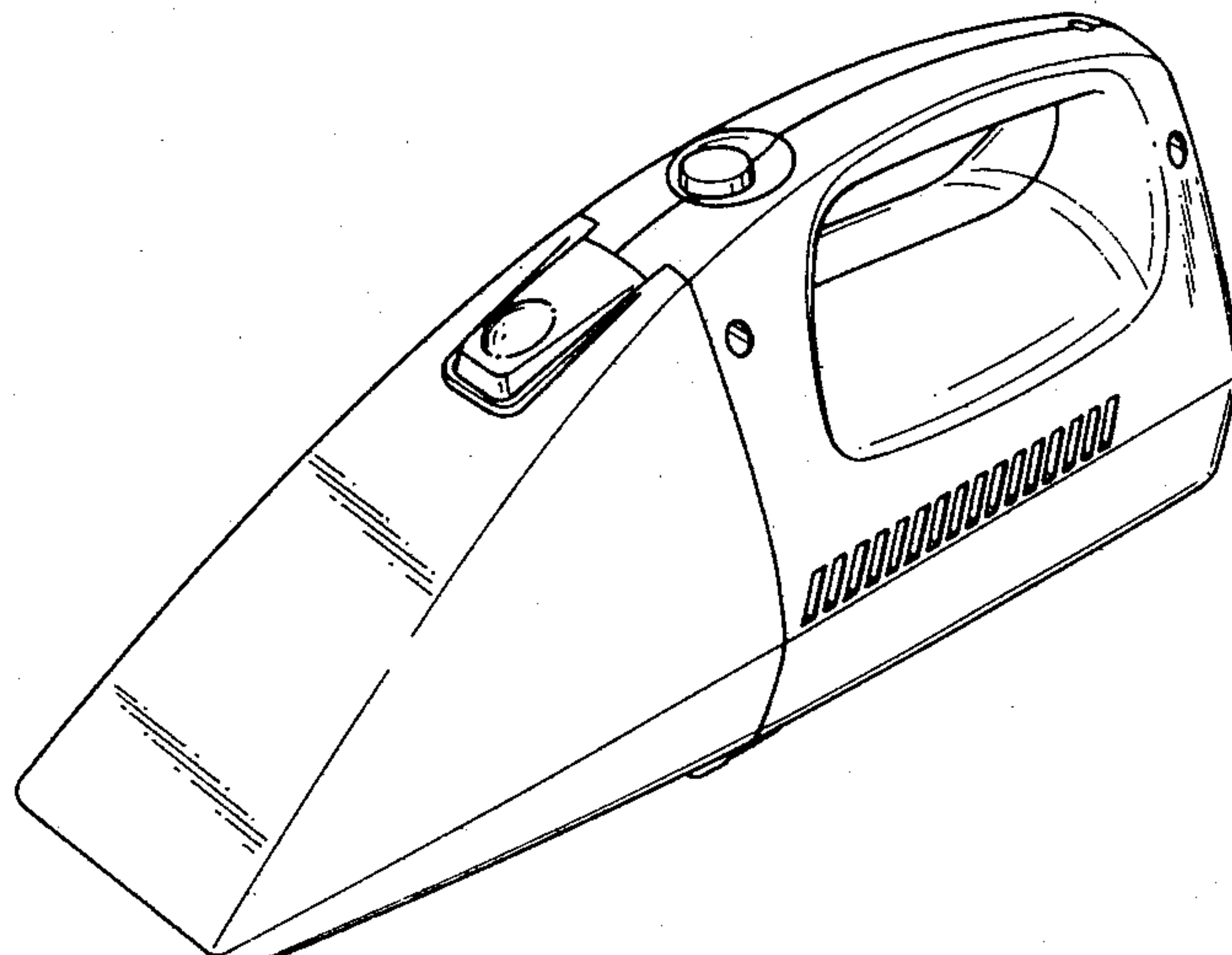
FIG. 3 is a right side elevational view thereof;

FIG. 4 is a front elevational view thereof;

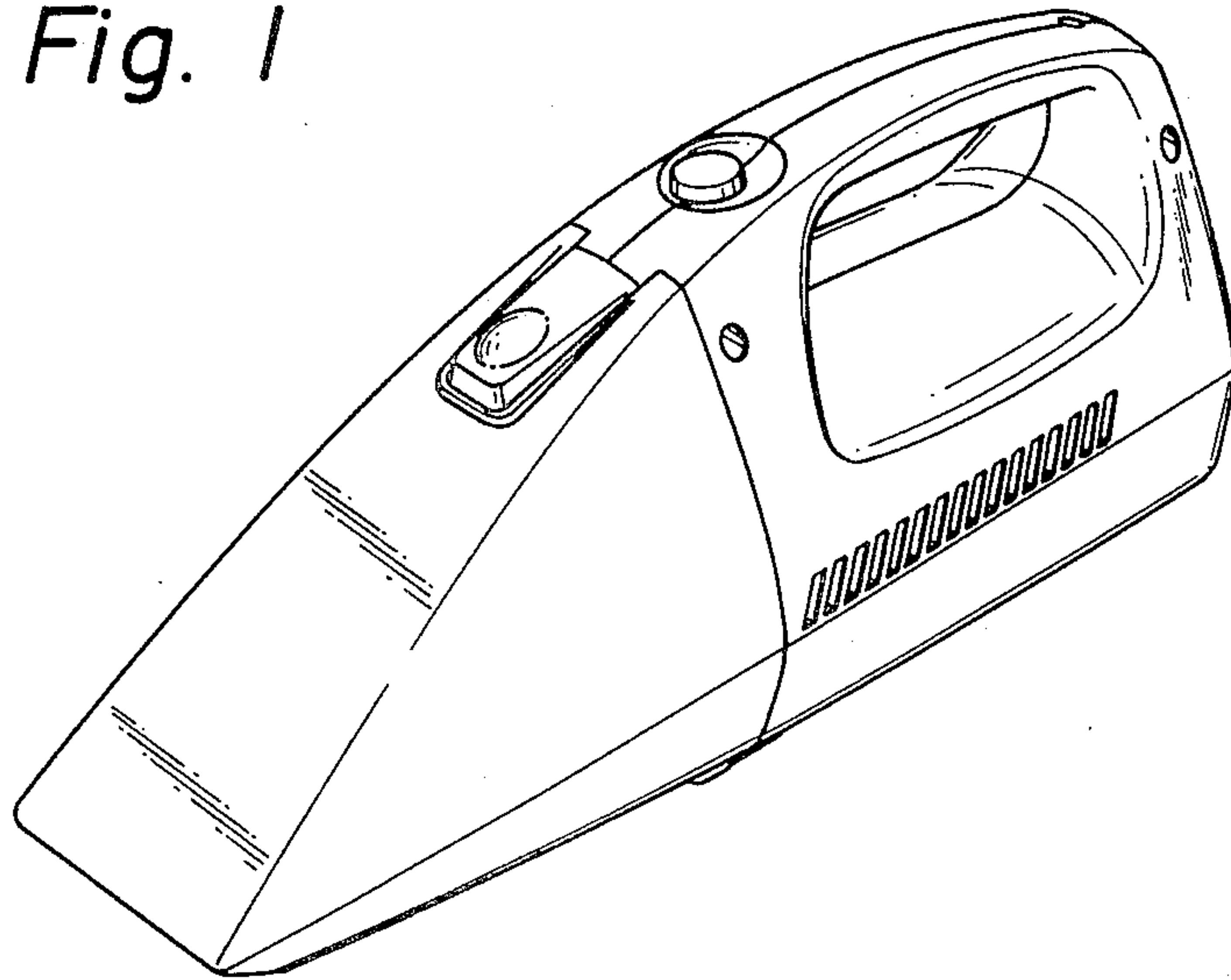
FIG. 5 is a rear elevational view thereof;

FIG. 6 is a top plan view thereof; and

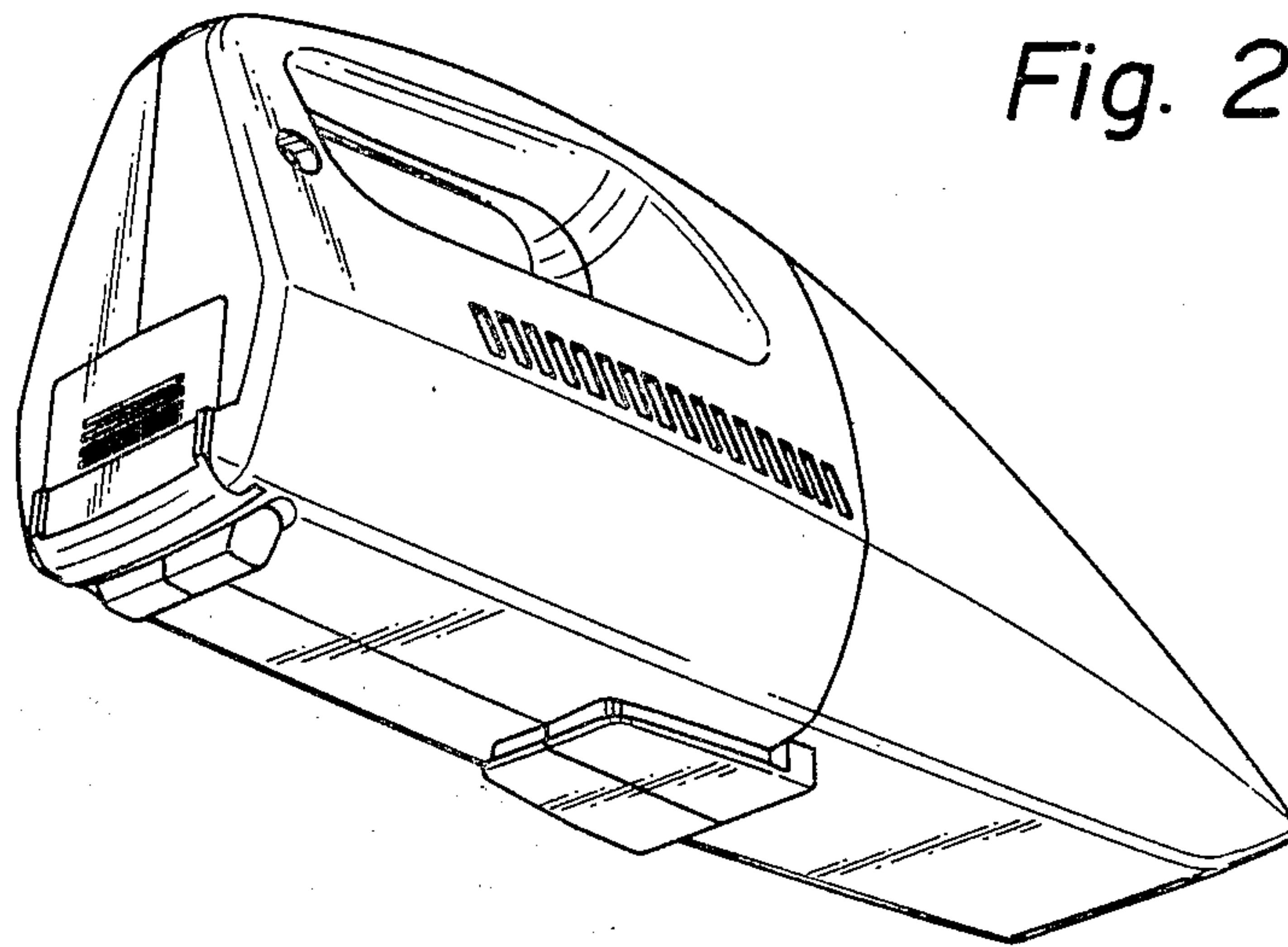
FIG. 7 is a bottom plan view thereof.



*Fig. 1*



*Fig. 2*



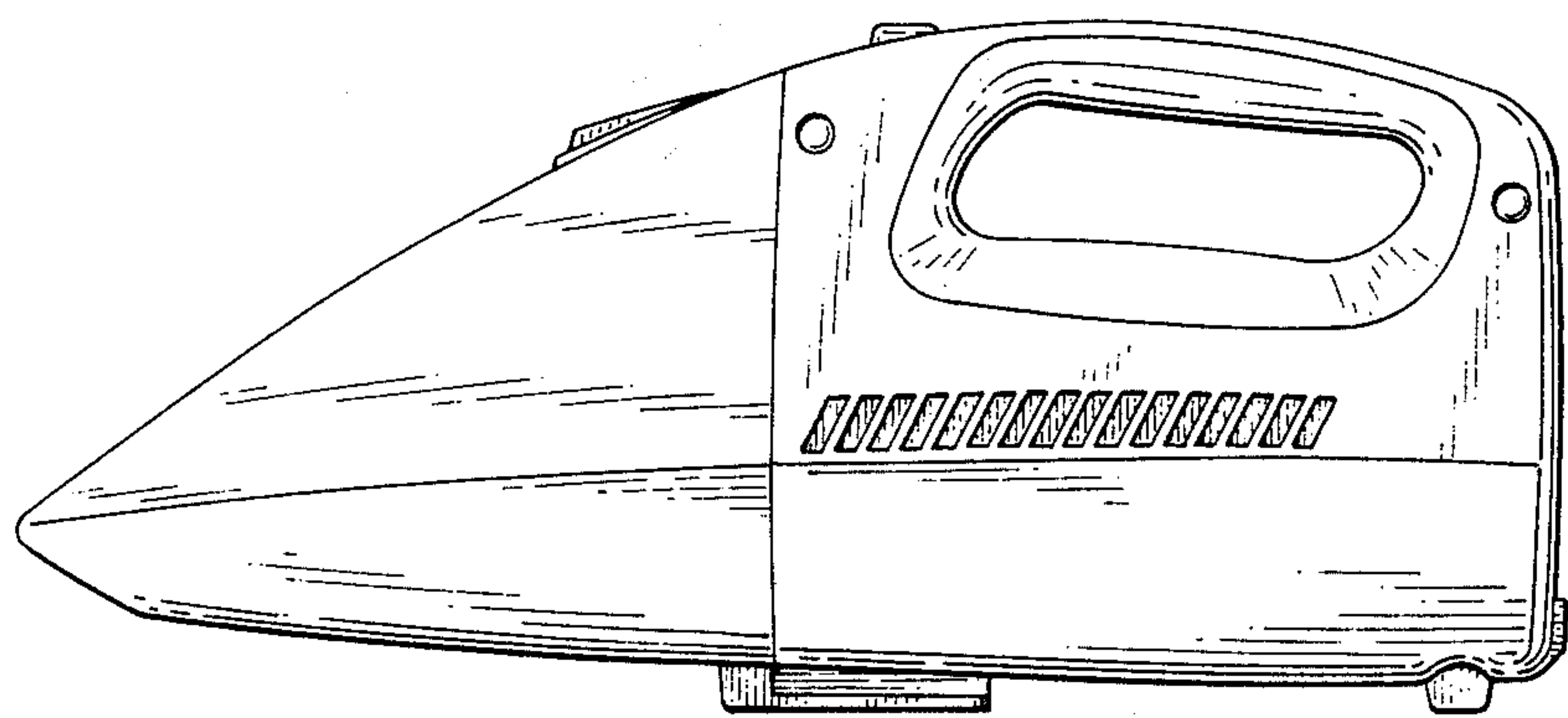
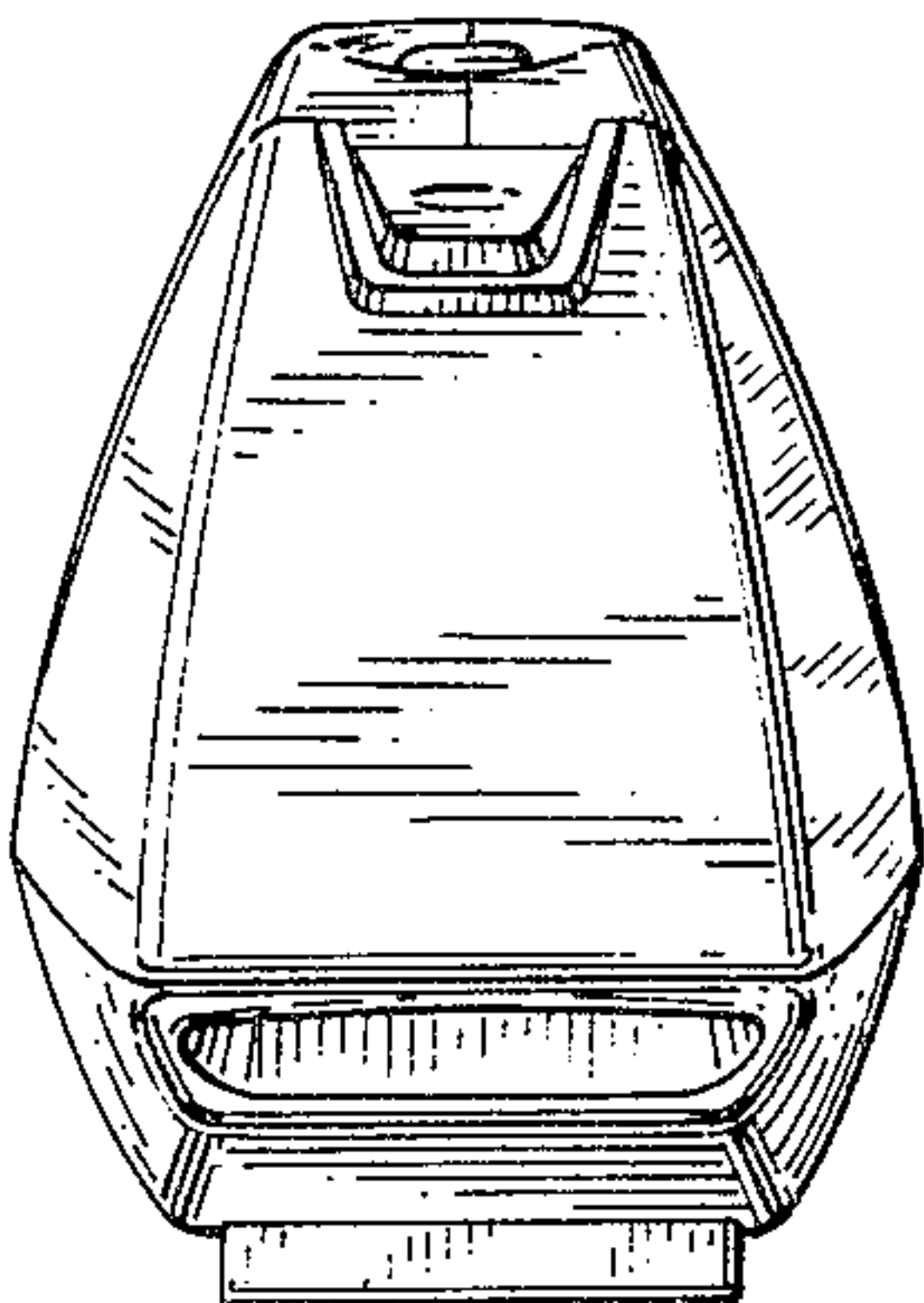
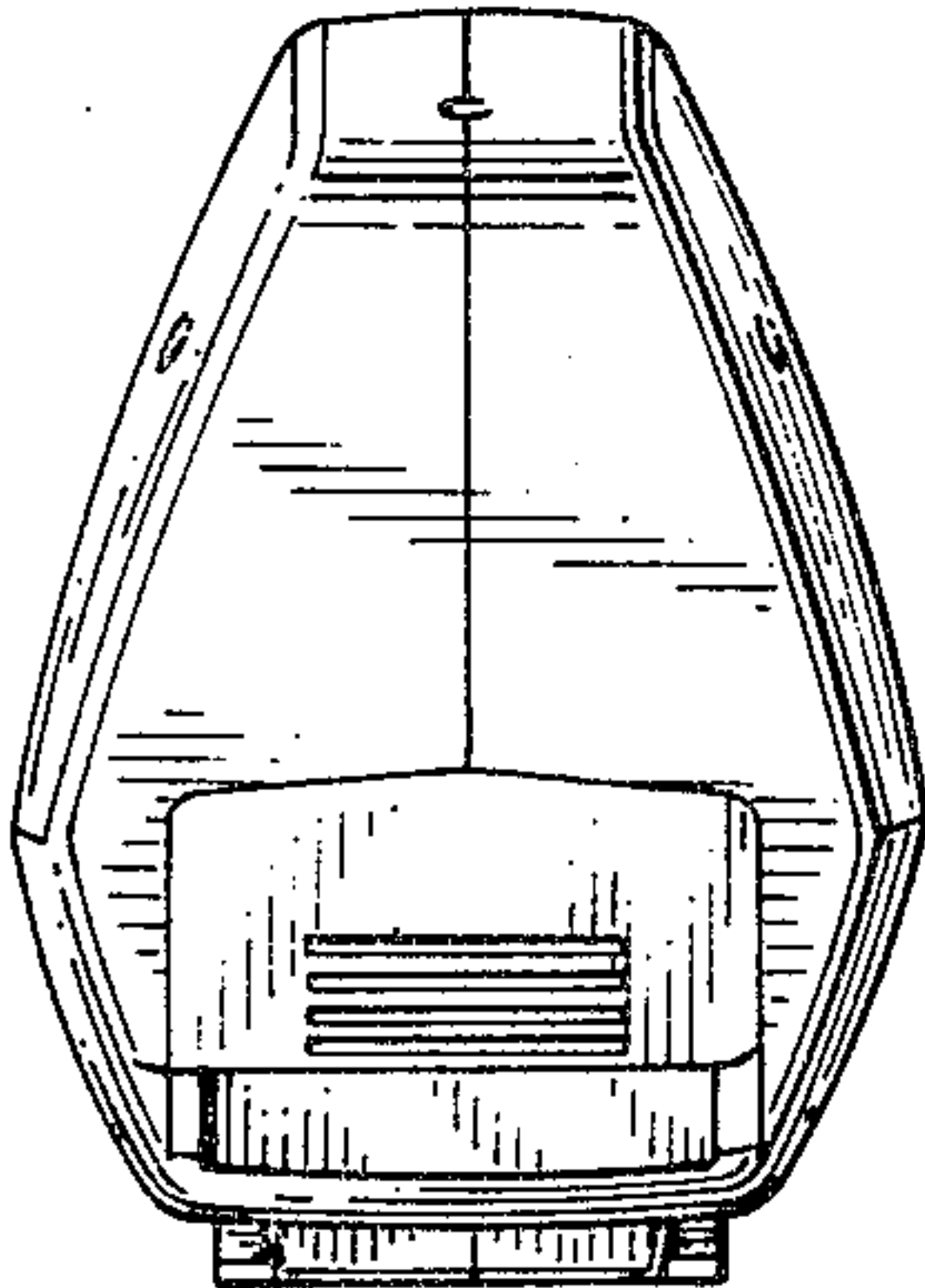


Fig. 3



*Fig. 4*



*Fig. 5*

Fig. 6

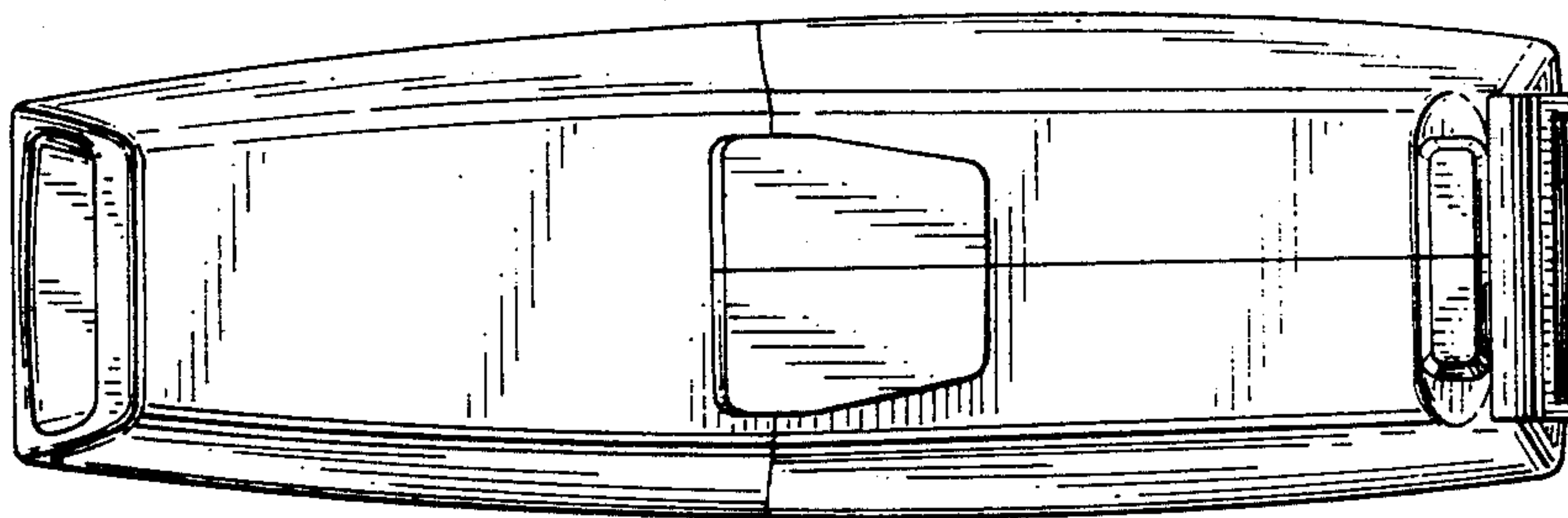
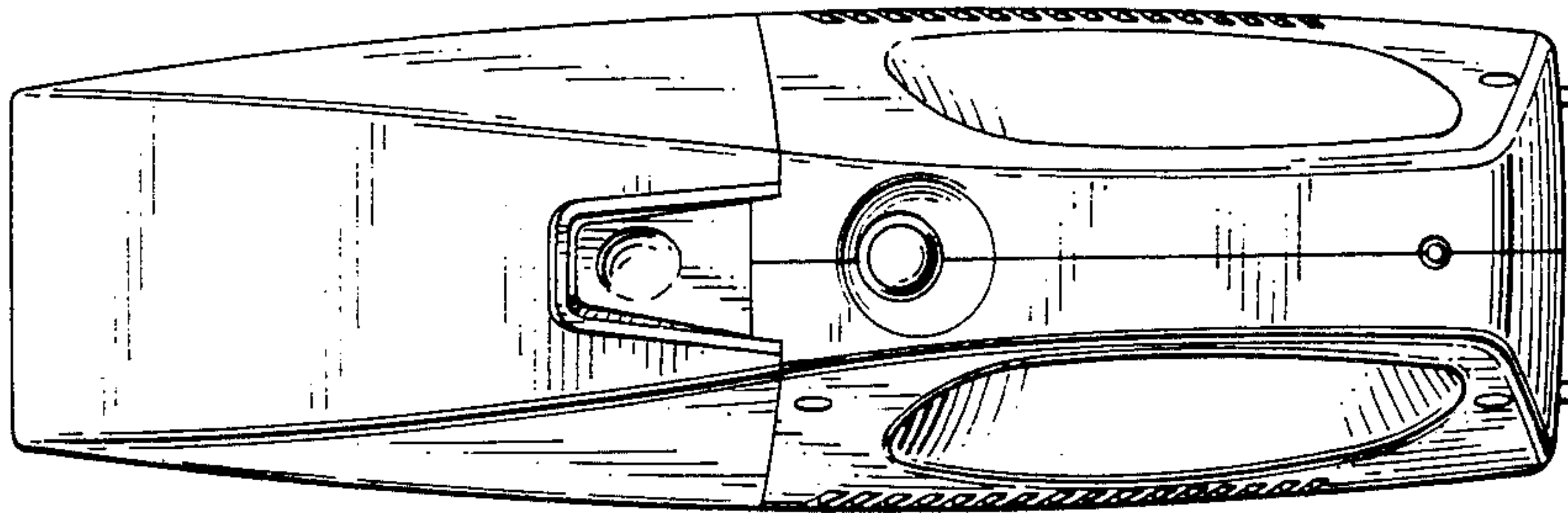


Fig. 7