

[54] SELF CLEANING CAT LITTER BOX

[76] Inventor: James A. Stinner, 1206 E. 76th St., Kansas City, Mo. 64131

[**] Term: 14 Years

[21] Appl. No.: 694,270

[22] Filed: Jan. 24, 1985

[52] U.S. Cl. D30/99

[58] Field of Search D30/41, 99; 119/1, 19

[56] References Cited

U.S. PATENT DOCUMENTS

D. 233,771	11/1974	Dirck	D30/99
D. 241,755	10/1976	Lowe, Jr.	D30/99
3,747,563	7/1973	Brockhouse	119/1
4,050,414	9/1977	Knochel et al.	119/1
4,098,229	7/1978	Haynes et al.	119/1
4,119,555	10/1978	Dennis	119/1

4,242,763	1/1981	Walker	119/1
4,465,018	8/1984	Mopper	119/1
4,493,288	1/1985	Van der Kolk	119/1
4,502,413	3/1985	Ponee et al.	119/1

Primary Examiner—James R. Largen
Attorney, Agent, or Firm—Don E. Ferrell

[57] CLAIM

The ornamental design for a self cleaning cat litter box, as shown and described.

DESCRIPTION

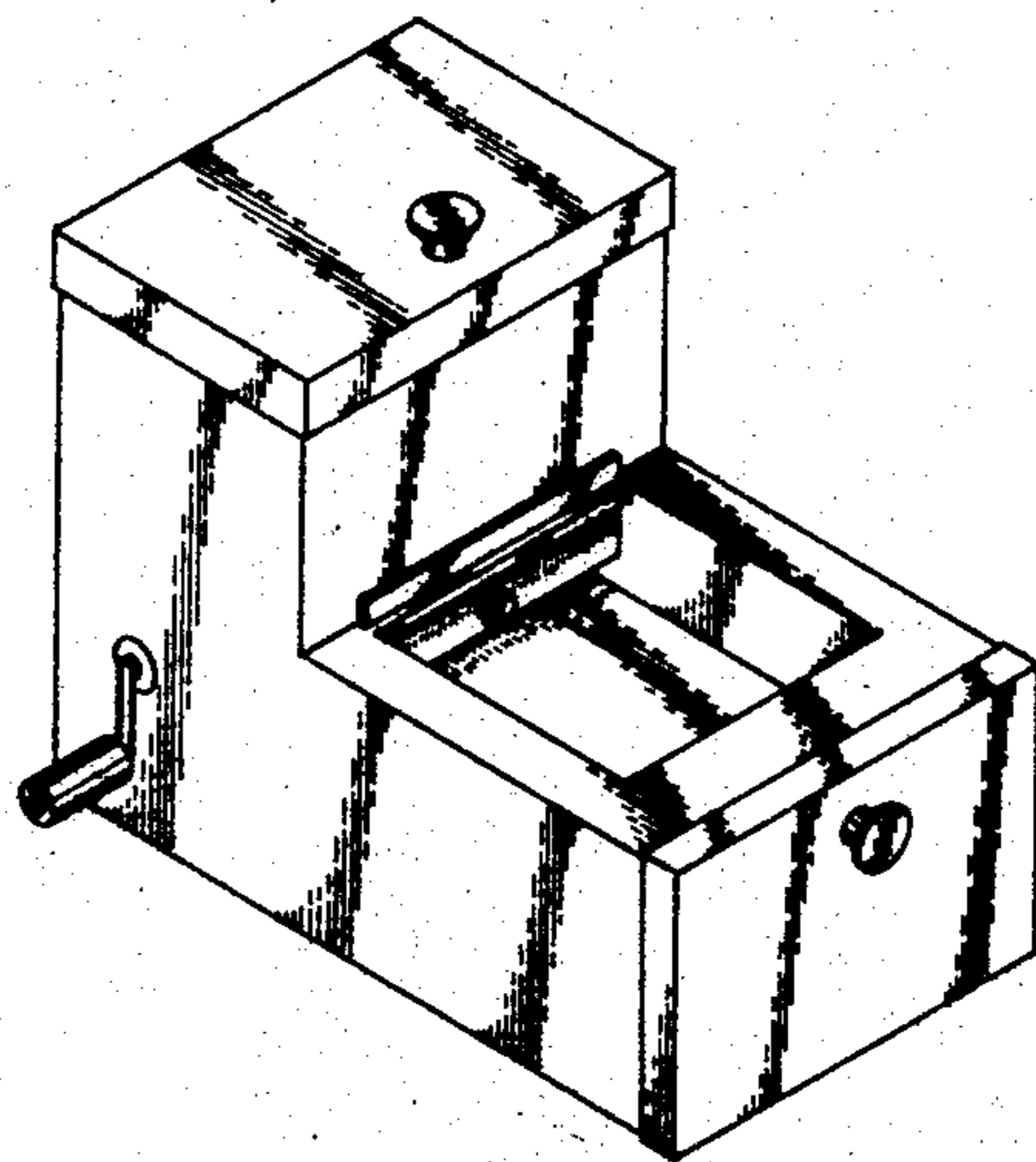
FIG. 1 is a perspective view taken from the top, front and left side of a self cleaning cat litter box showing my new design;

FIG. 2 is a rear elevational view thereof;

FIG. 3 is a front elevational view thereof;

FIG. 4 is a right side elevational view thereof; and

FIG. 5 is a bottom plan view thereof.



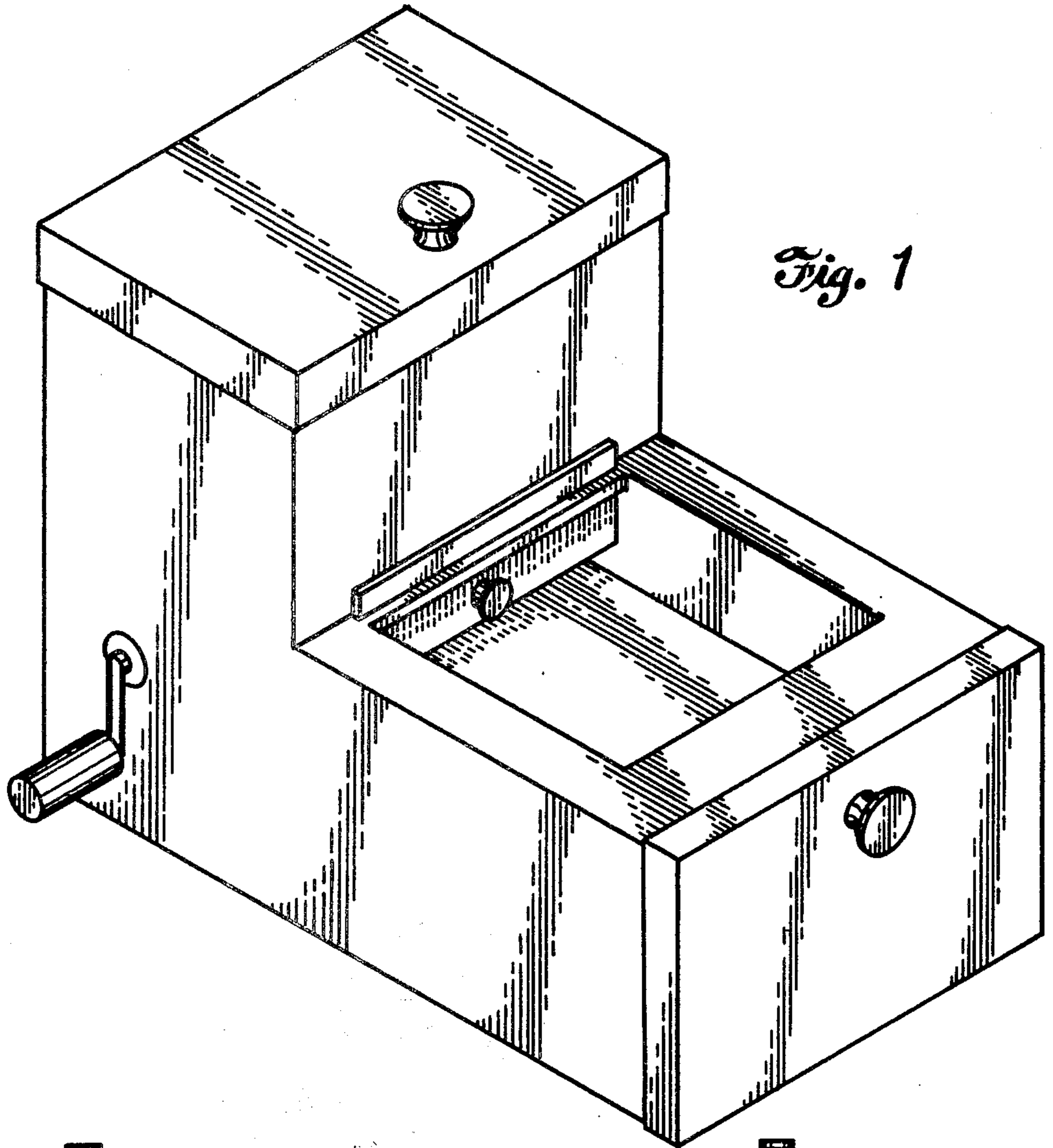


Fig. 1

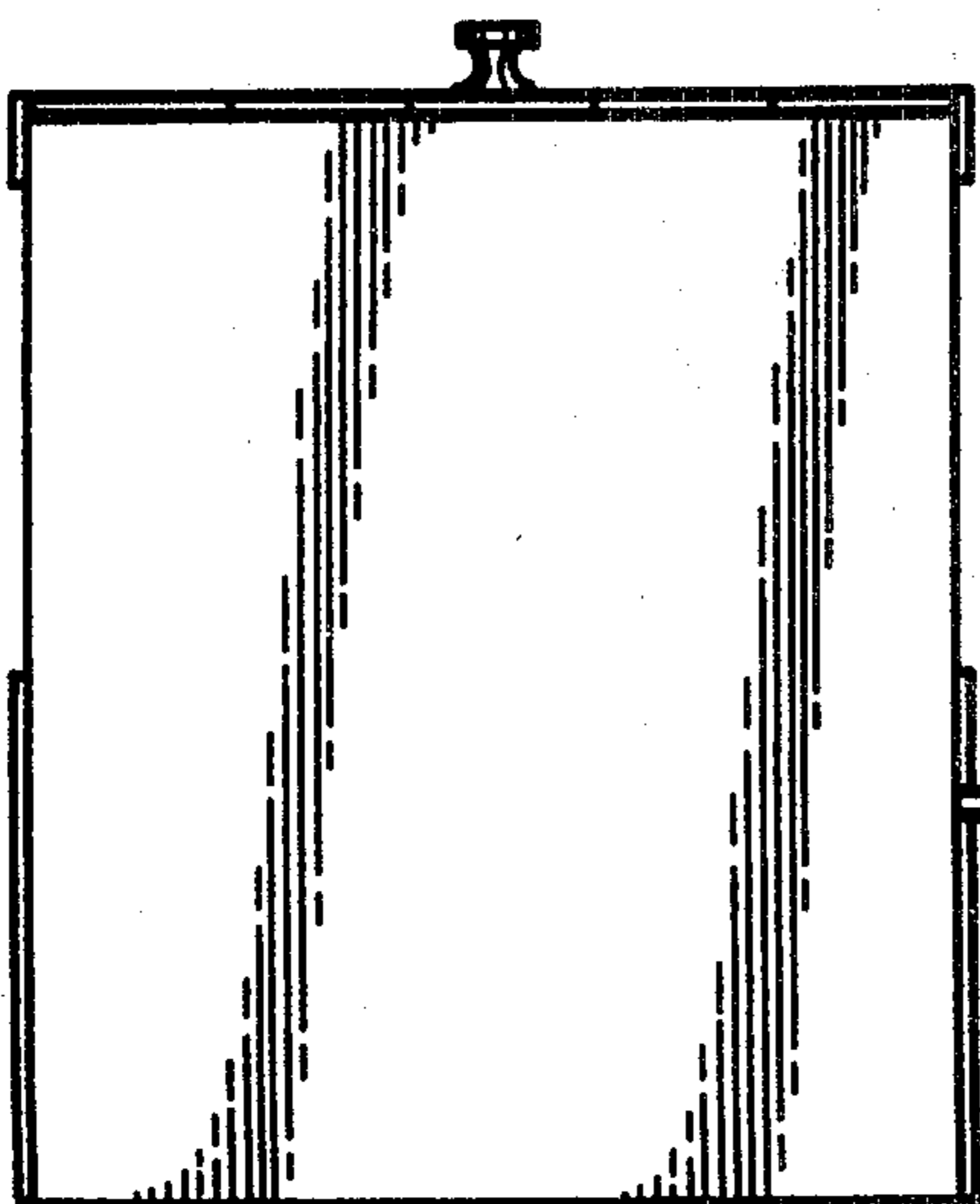


Fig. 2

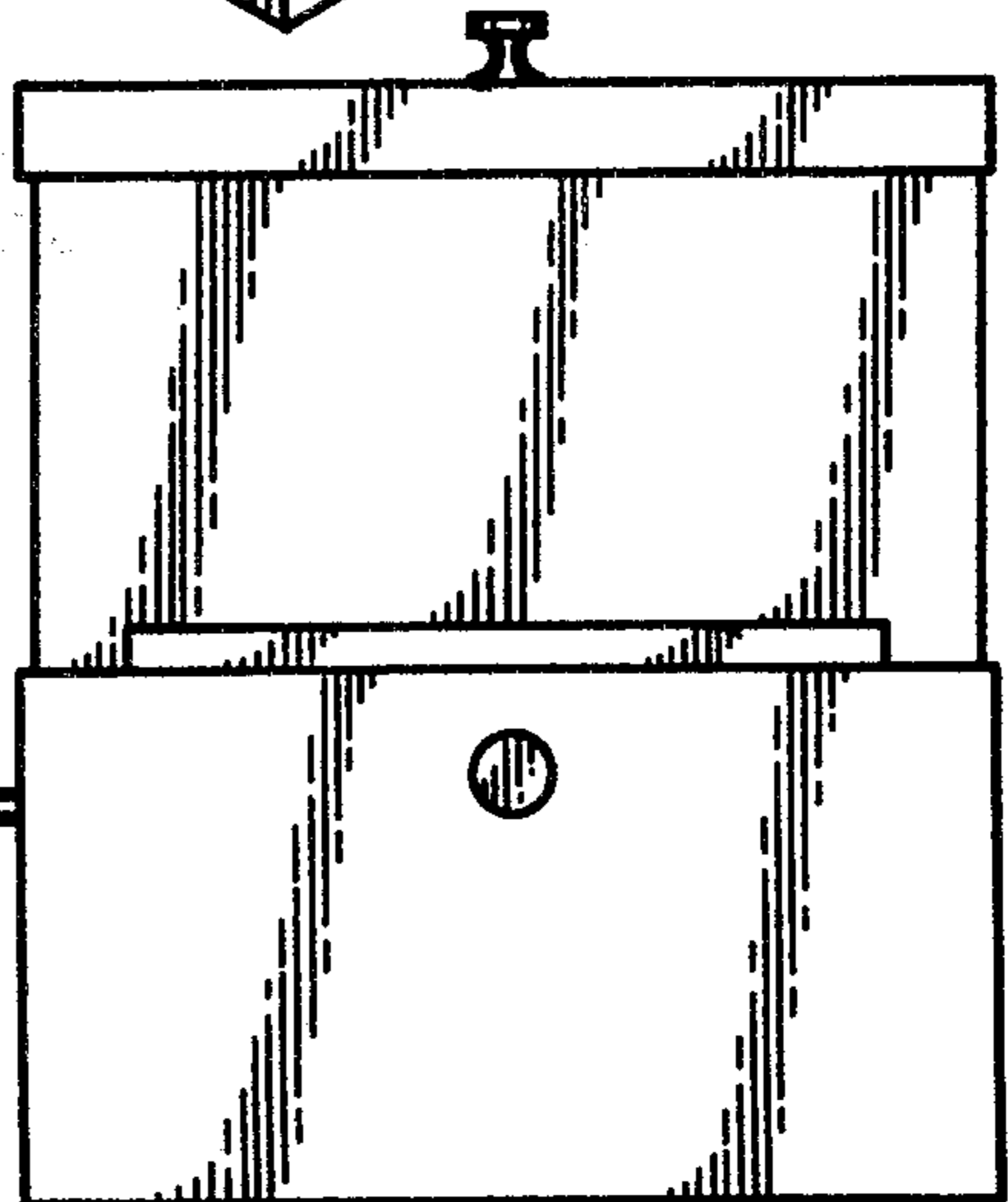


Fig. 3

Fig. 4

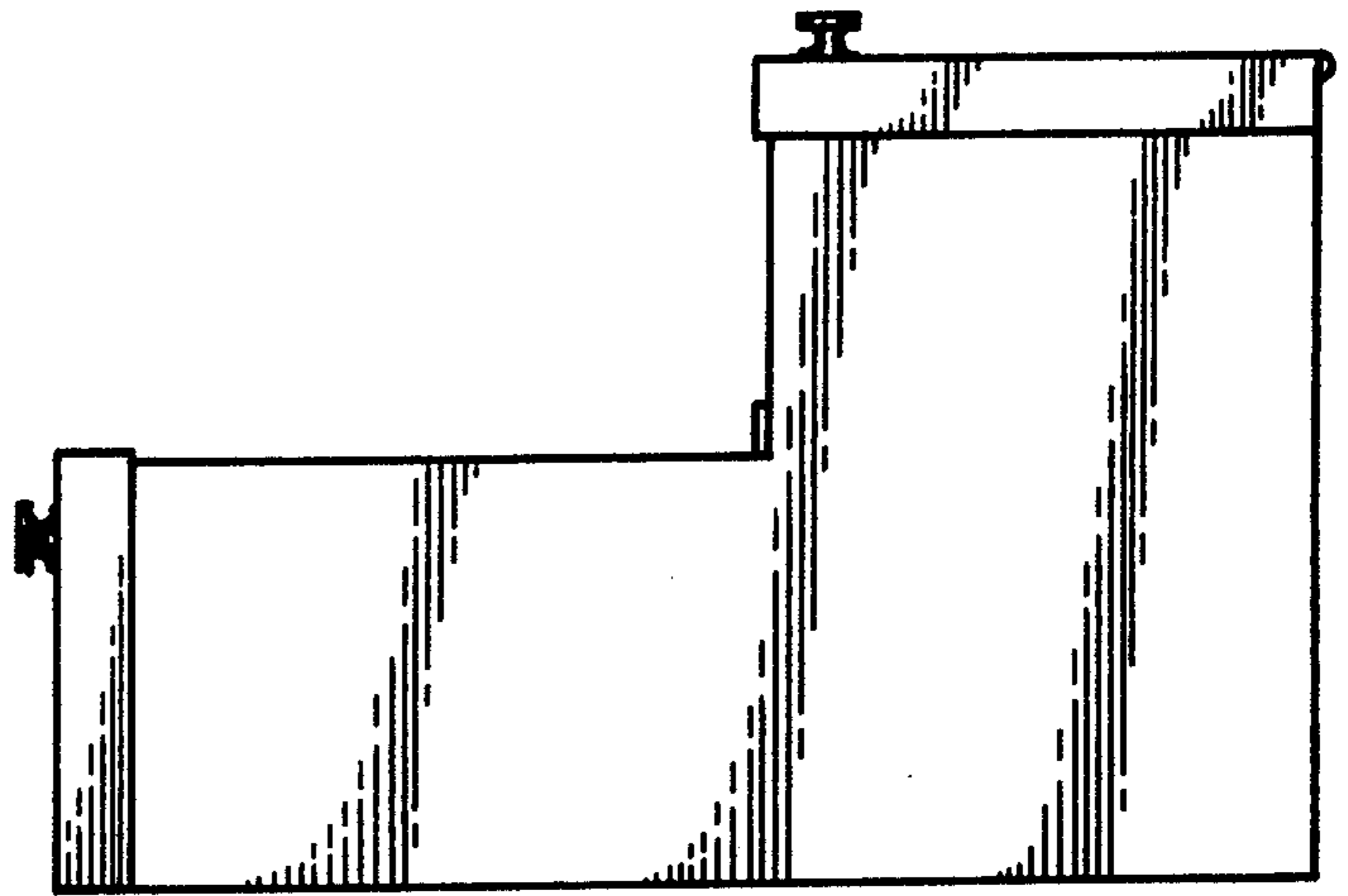


Fig. 5

