

[54] PET FEEDING TRAY

[76] Inventor: Keith T. Hageney, 3827 Belle Ave., Davenport, Iowa 52807

[**] Term: 14 Years

[21] Appl. No.: 762,180

[22] Filed: Aug. 5, 1985

[52] U.S. Cl. D30/13

[58] Field of Search D30/13-18; 119/51 R, 51.5, 52 R, 61

[56] References Cited

U.S. PATENT DOCUMENTS

D. 217,060	3/1970	Wilson	D30/16
D. 238,592	1/1976	Goldman et al.	D30/13
D. 241,255	8/1976	D'Angelo	D30/13
D. 274,660	7/1984	Williams	D30/13
2,659,345	11/1953	Herbert	119/61 X

2,845,896	8/1958	Copeland	119/61 X
3,121,419	2/1964	Gillespie	119/61 X
3,651,787	3/1972	Cooper	119/51 R
3,776,193	12/1973	Post, Sr.	119/51.5
4,044,723	8/1977	Fitzpatrick	119/61
4,389,976	6/1983	Novak	119/62

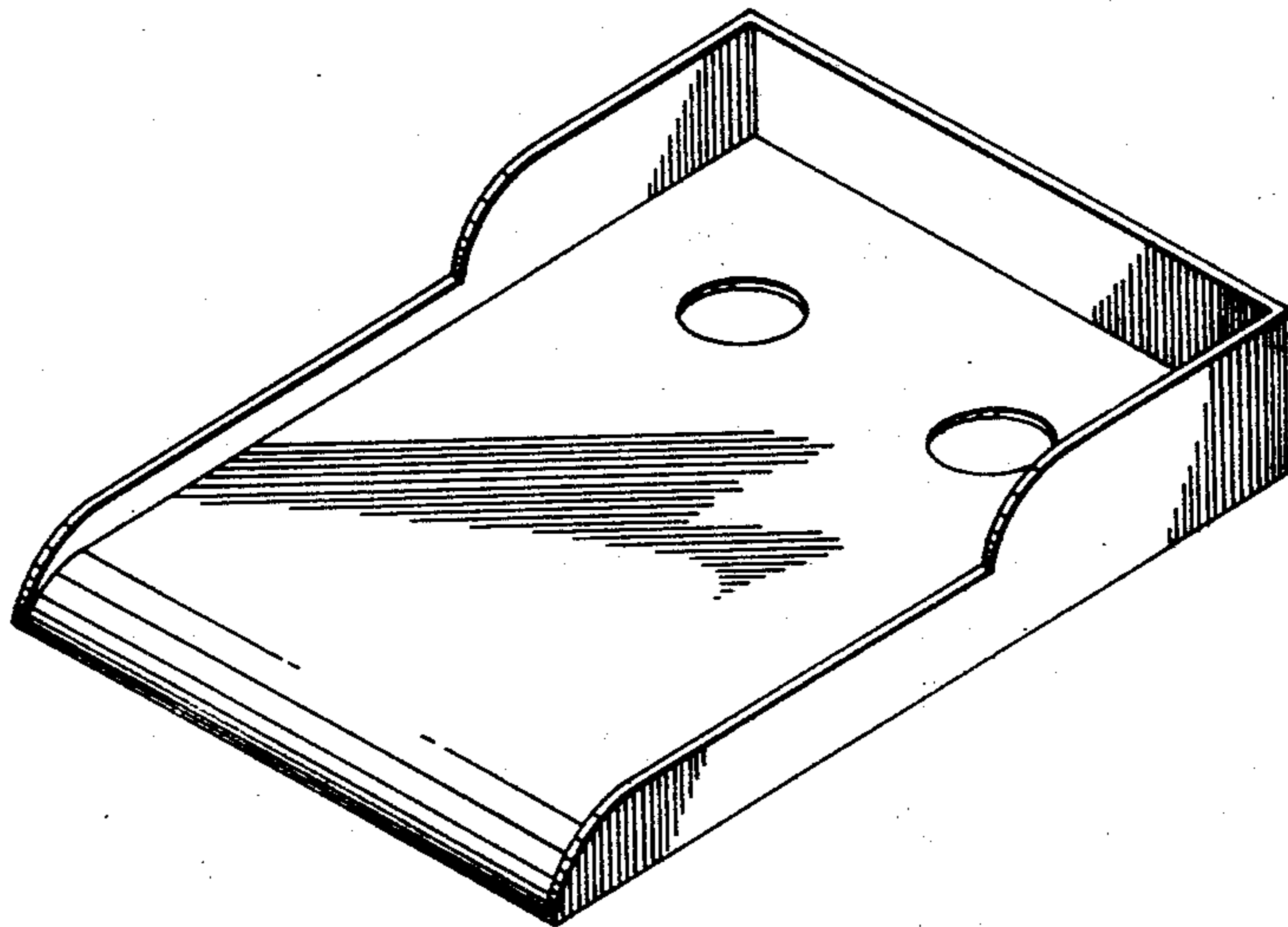
Primary Examiner—James R. Largen
Attorney, Agent, or Firm—Henderson & Sturm

[57] CLAIM

The ornamental design of a pet feeding tray, as shown.

DESCRIPTION

FIG. 1 is a perspective view taken from the top, front and right side of a pet feeding tray showing my new design;
FIG. 2 is a perspective view taken from the top, rear and left side thereof;
FIG. 3 is a right side elevational view thereof; and
FIG. 4 is a top plan view thereof.



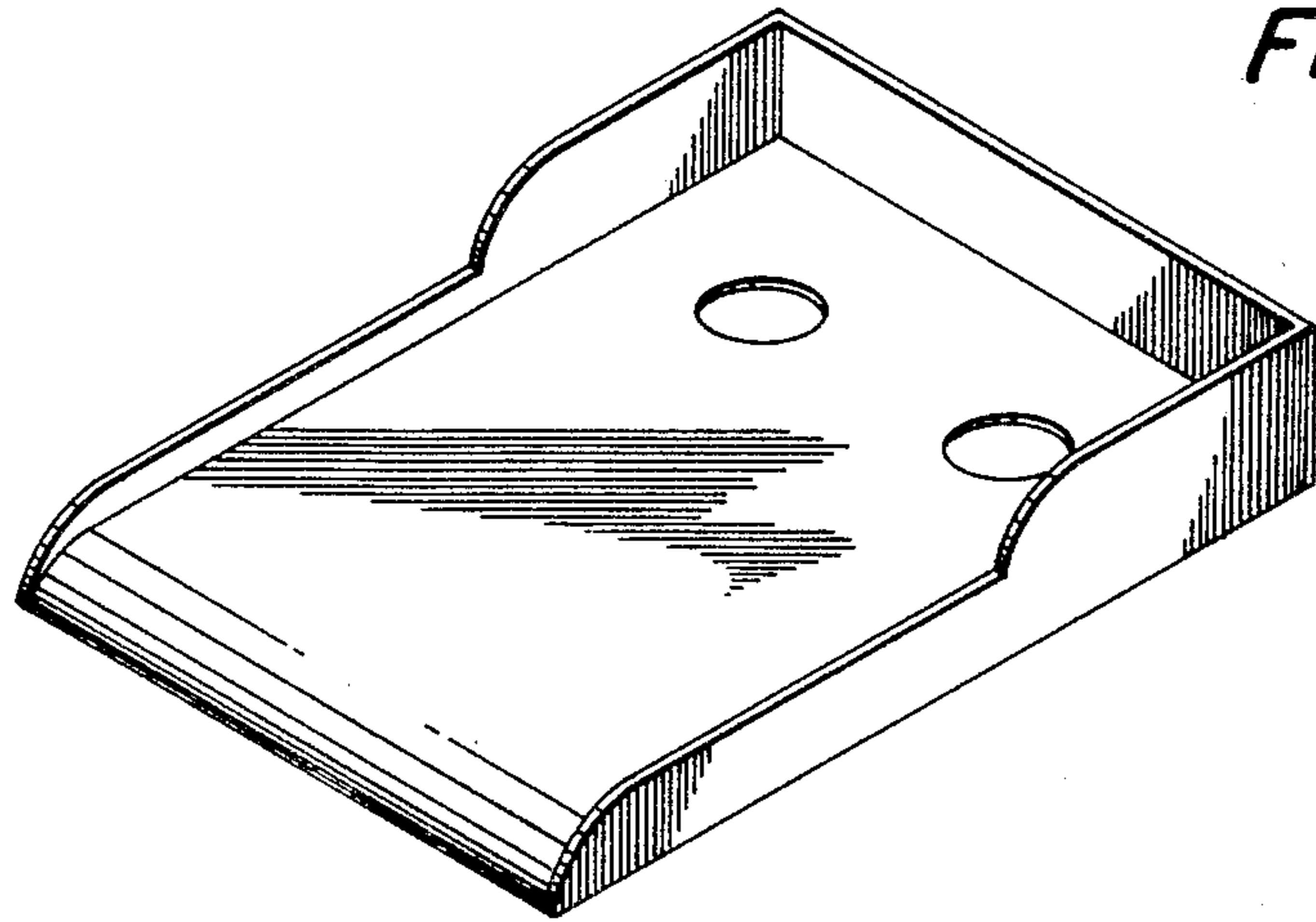


Fig. 1

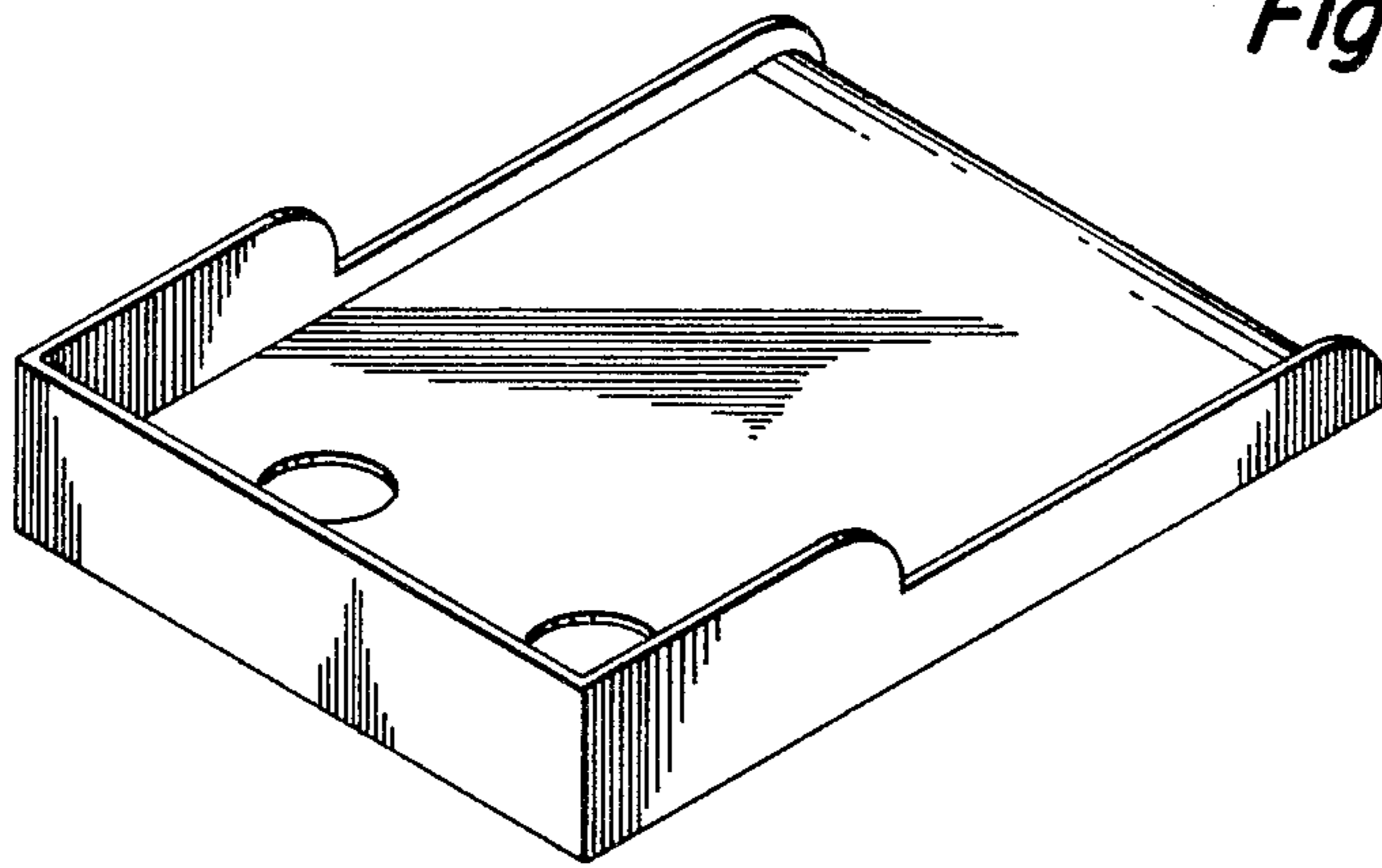


Fig. 2



Fig. 3

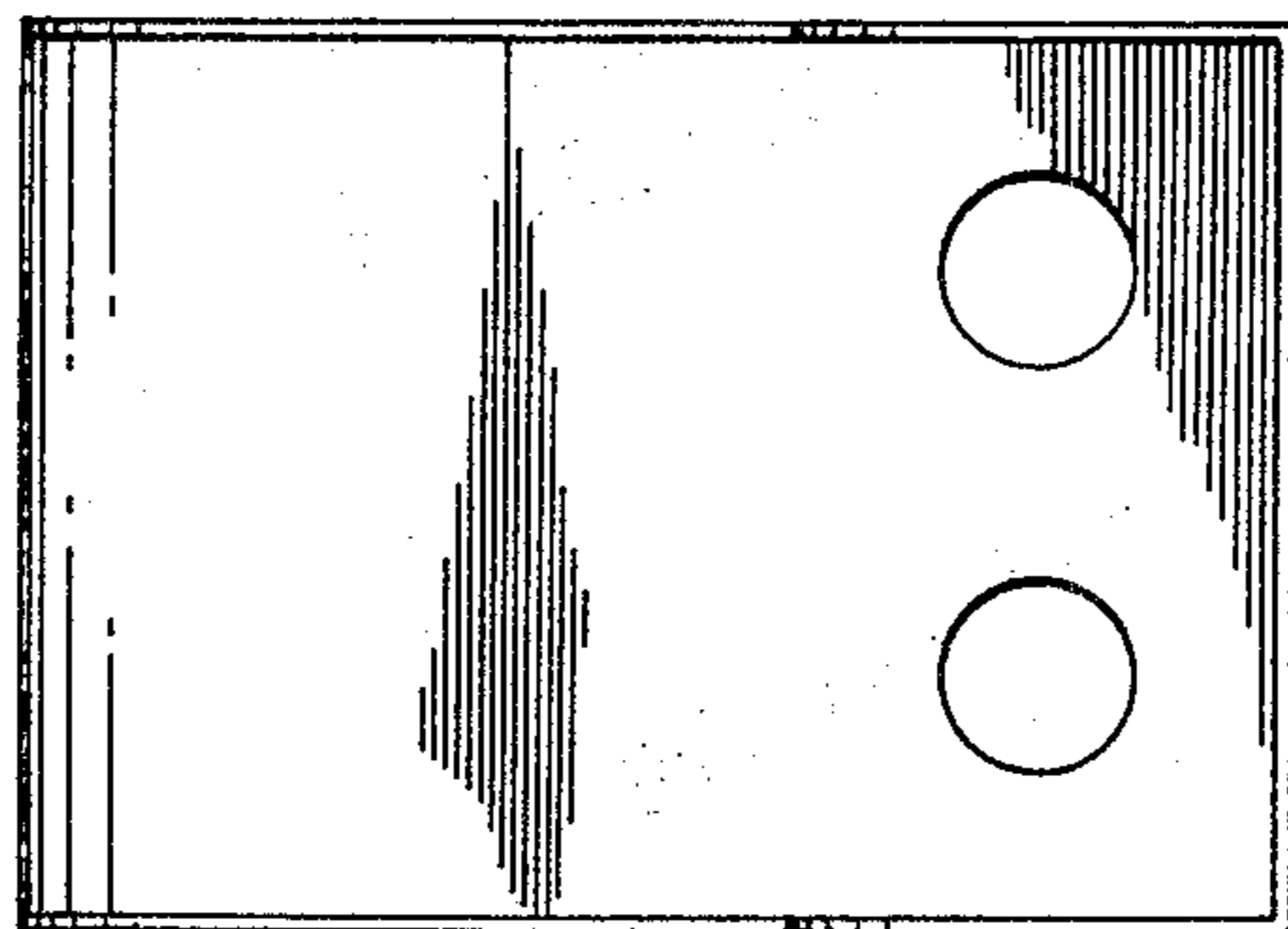


Fig. 4