

[54] HAIR DRYER

[75] Inventors: Kazuyoshi Yonezawa, Kadoma; Kuniharu Ichikawa; Yonosuke Iwai, both of Yawata, all of Japan

[73] Assignee: Matsushita Electric Works, Ltd., Japan

[**] Term: 14 Years

[21] Appl. No.: 707,898

[22] Filed: Mar. 4, 1985

[30] Foreign Application Priority Data

Sep. 11, 1984 [JP] Japan 59-37747
[52] U.S. Cl. D28/13; D28/16
[58] Field of Search D28/9-19; 34/96-101; 219/222, 223; 132/1 R, 7, 9

[56] References Cited

U.S. PATENT DOCUMENTS

D. 265,514 7/1982 Abe et al. D28/12
D. 272,101 1/1984 Abe D28/12
4,370,544 1/1983 Fujishima et al. D28/13 X
4,556,782 12/1985 Fujishima et al. 34/96 X

FOREIGN PATENT DOCUMENTS

283414 4/1967 Japan .
273168 8/1967 Japan .
284728 5/1968 Japan .

Primary Examiner—Louis S. Zarfes

Attorney, Agent, or Firm—Stevens, Davis, Miller & Mosher

[57] CLAIM

The ornamental design for a hair dryer, substantially as shown and described.

DESCRIPTION

FIG. 1 is a front elevational view of a hair dryer showing our new design, in which a slidable grip portion forming a part of the design is shown in its projected position for use of the hair dryer; FIG. 2 is a rear elevational view thereof; FIG. 3 is a top plan view thereof; FIG. 4 is a bottom plan view thereof; FIG. 5 is a left side elevational view thereof; FIG. 6 is a right side elevational view thereof; FIG. 7 is a transverse section taken on line A-A' of FIG. 1; FIG. 8 is a front elevational view of the hair dryer of FIG. 1 but with the grip portion shown in its retreated position for non-use of the hair dryer; FIG. 9 is a rear elevational view of the hair dryer of FIG. 8; FIG. 10 is a top plan view of the hair dryer of FIG. 8; FIG. 11 is a bottom plan view of the hair dryer of FIG. 8; FIG. 12 is a left side elevational view of the hair dryer of FIG. 8; FIG. 13 is a right side elevational view of the hair dryer of FIG. 8; and FIG. 14 is a transverse section taken on line B-B' of FIG. 8.

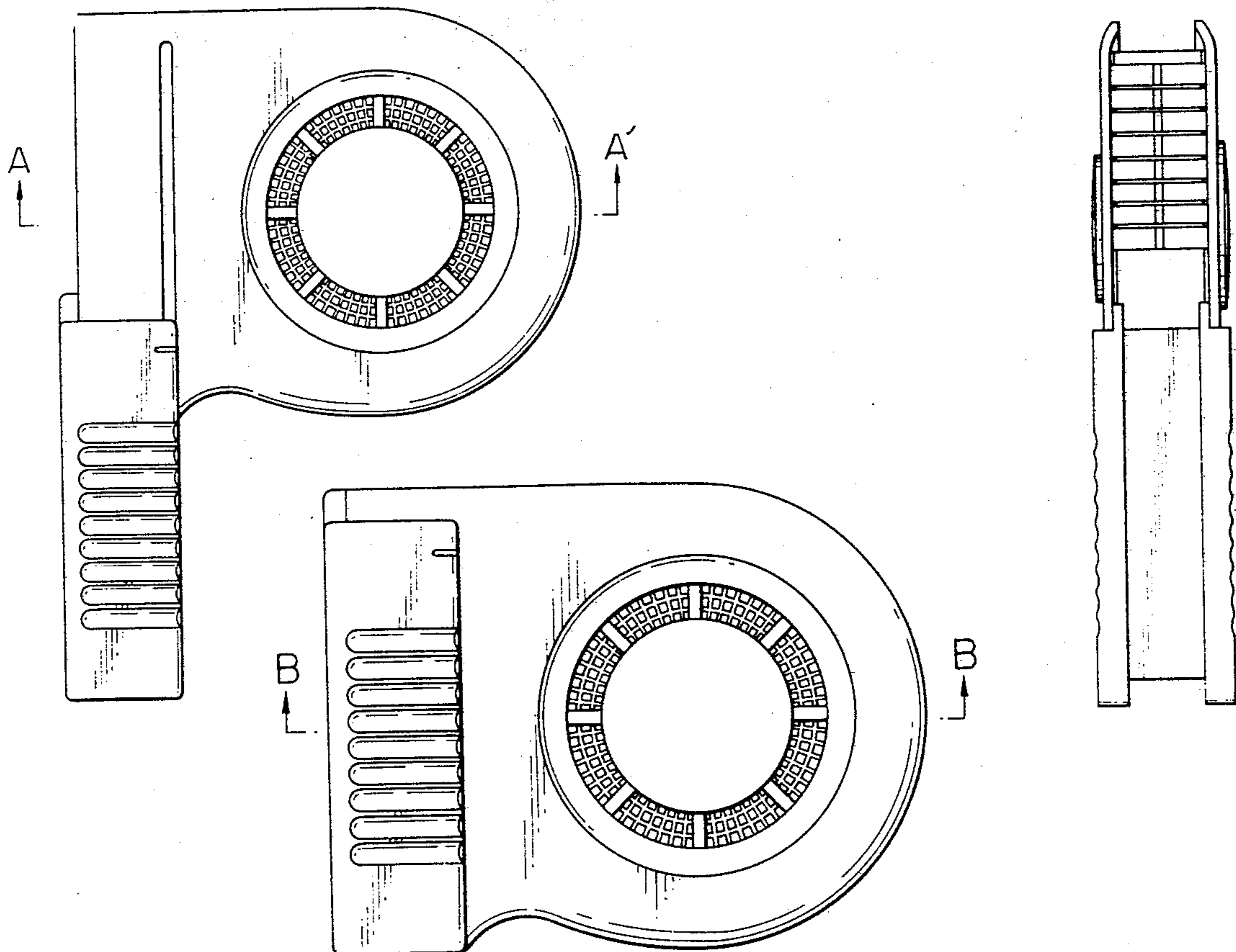


Fig. 1

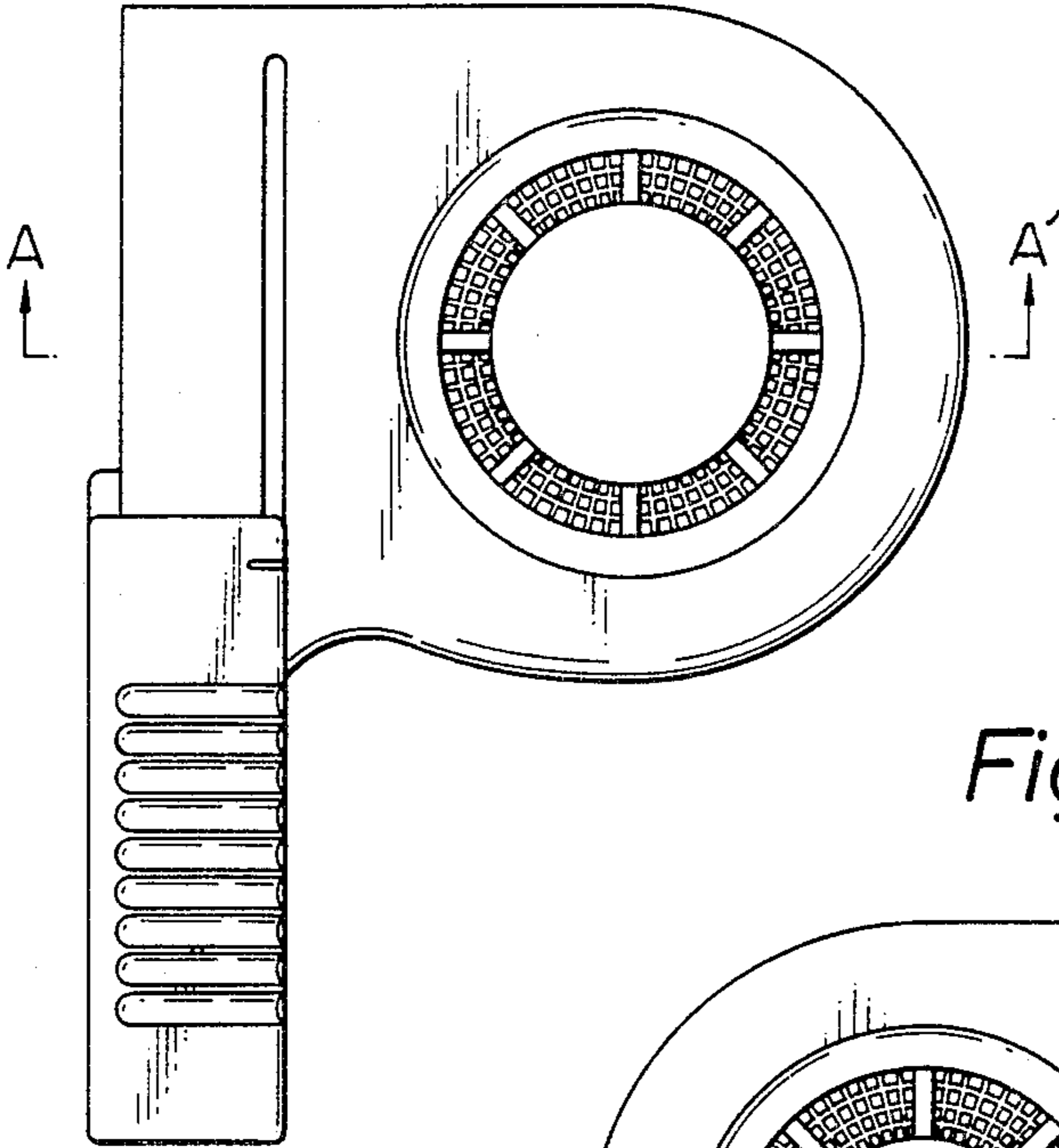


Fig. 2

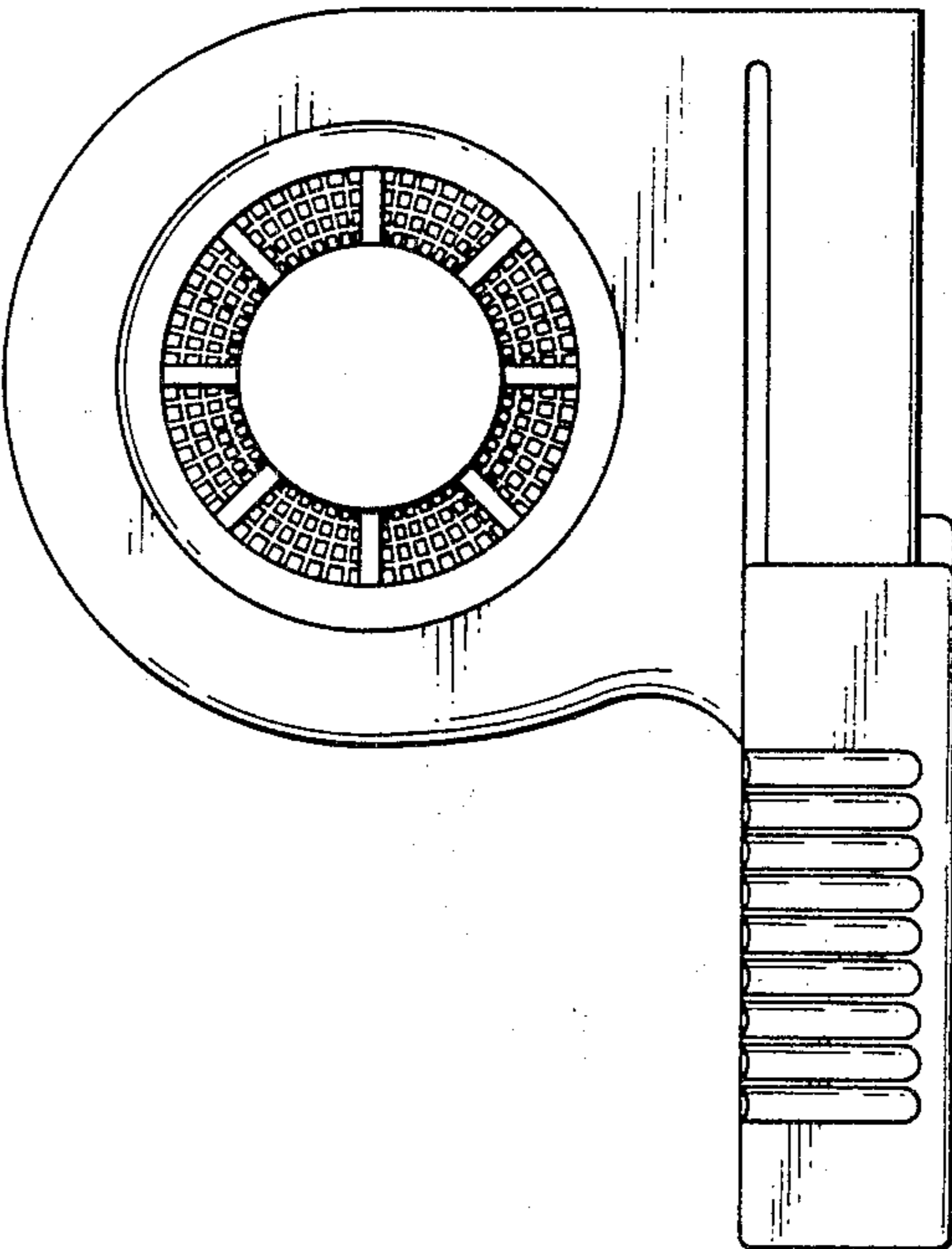


Fig. 3

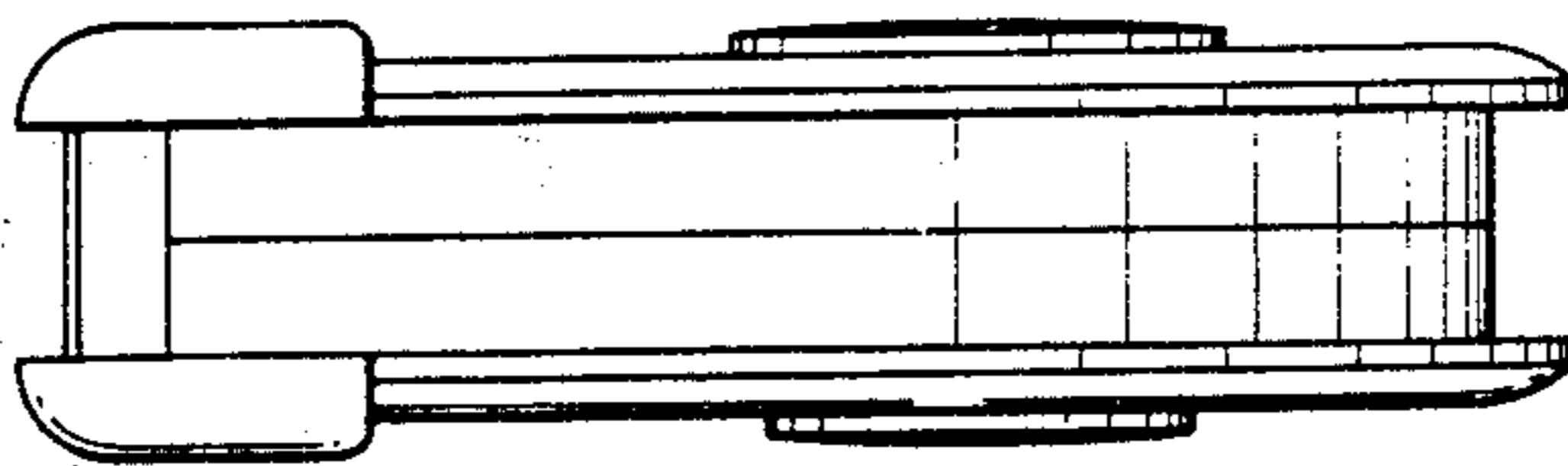


Fig. 4

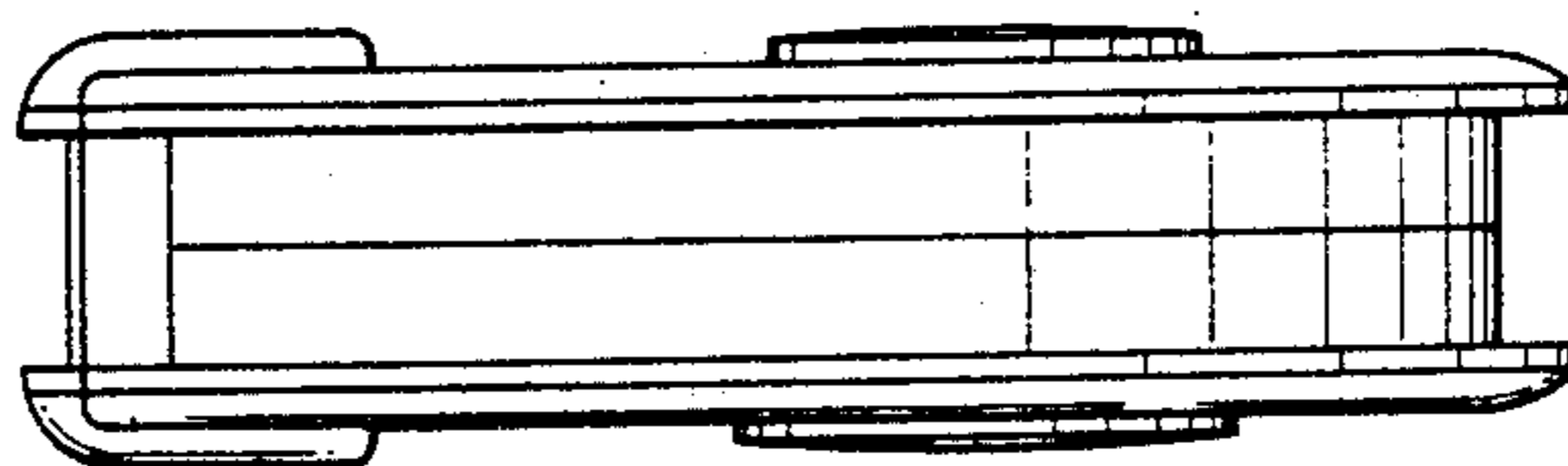


Fig. 5

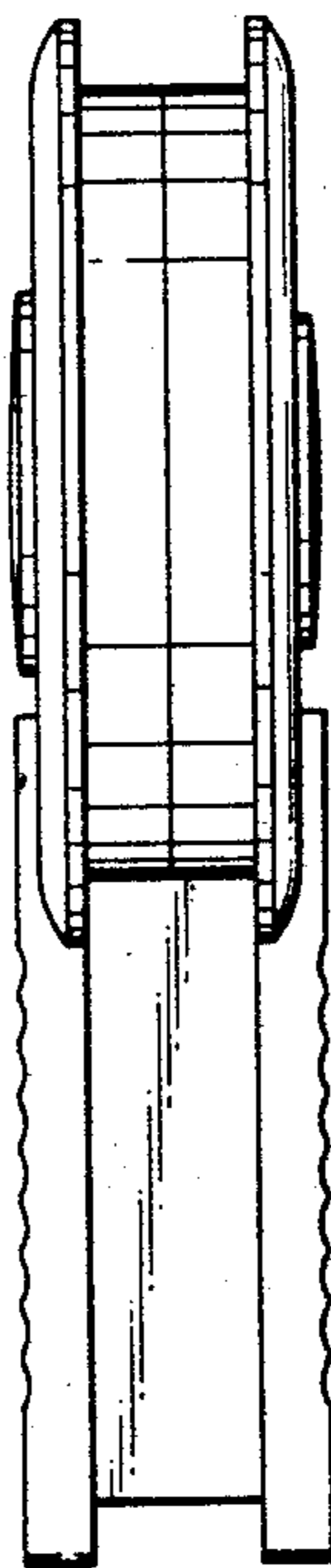


Fig. 6

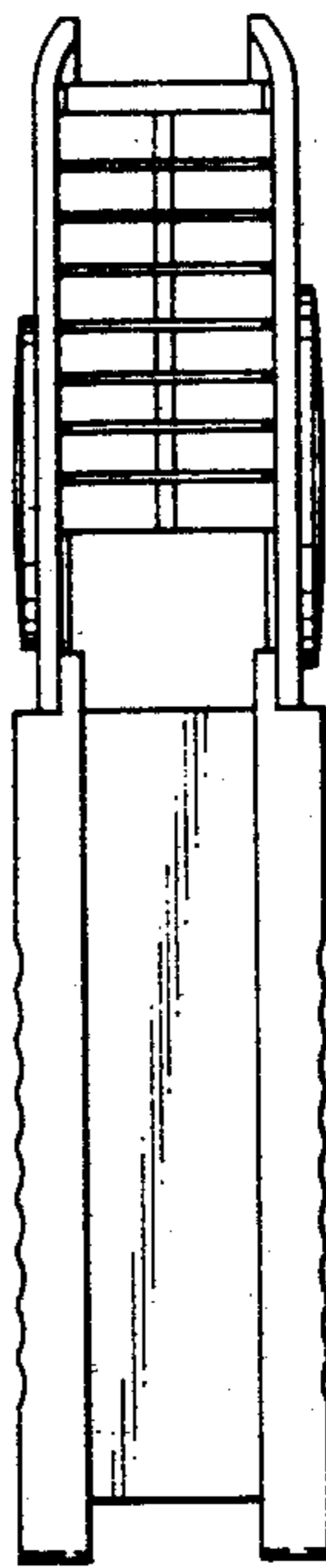


Fig. 7

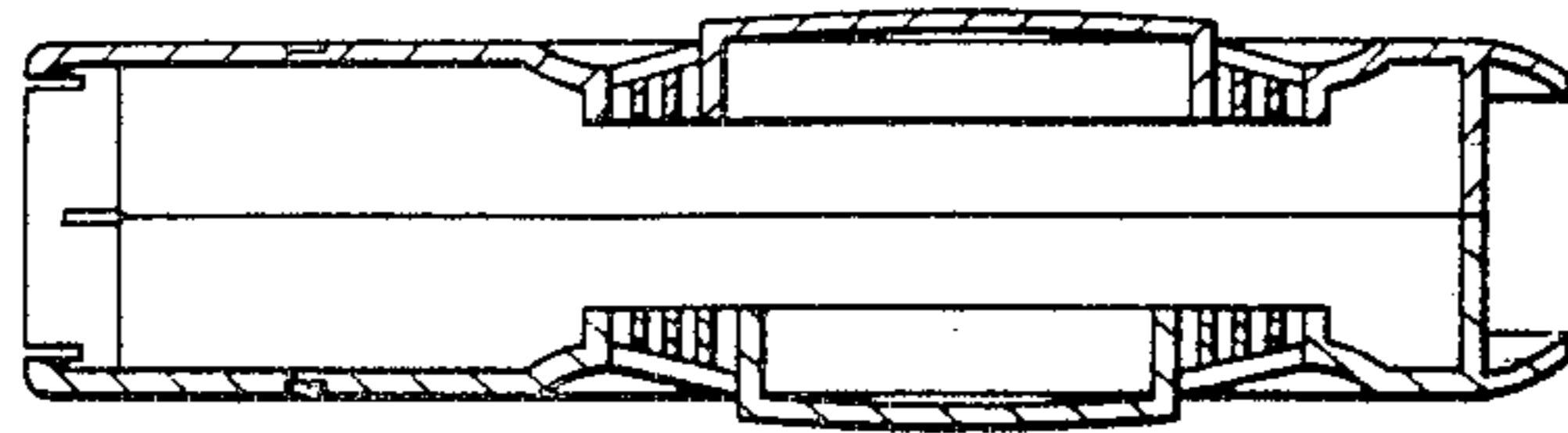


Fig. 8

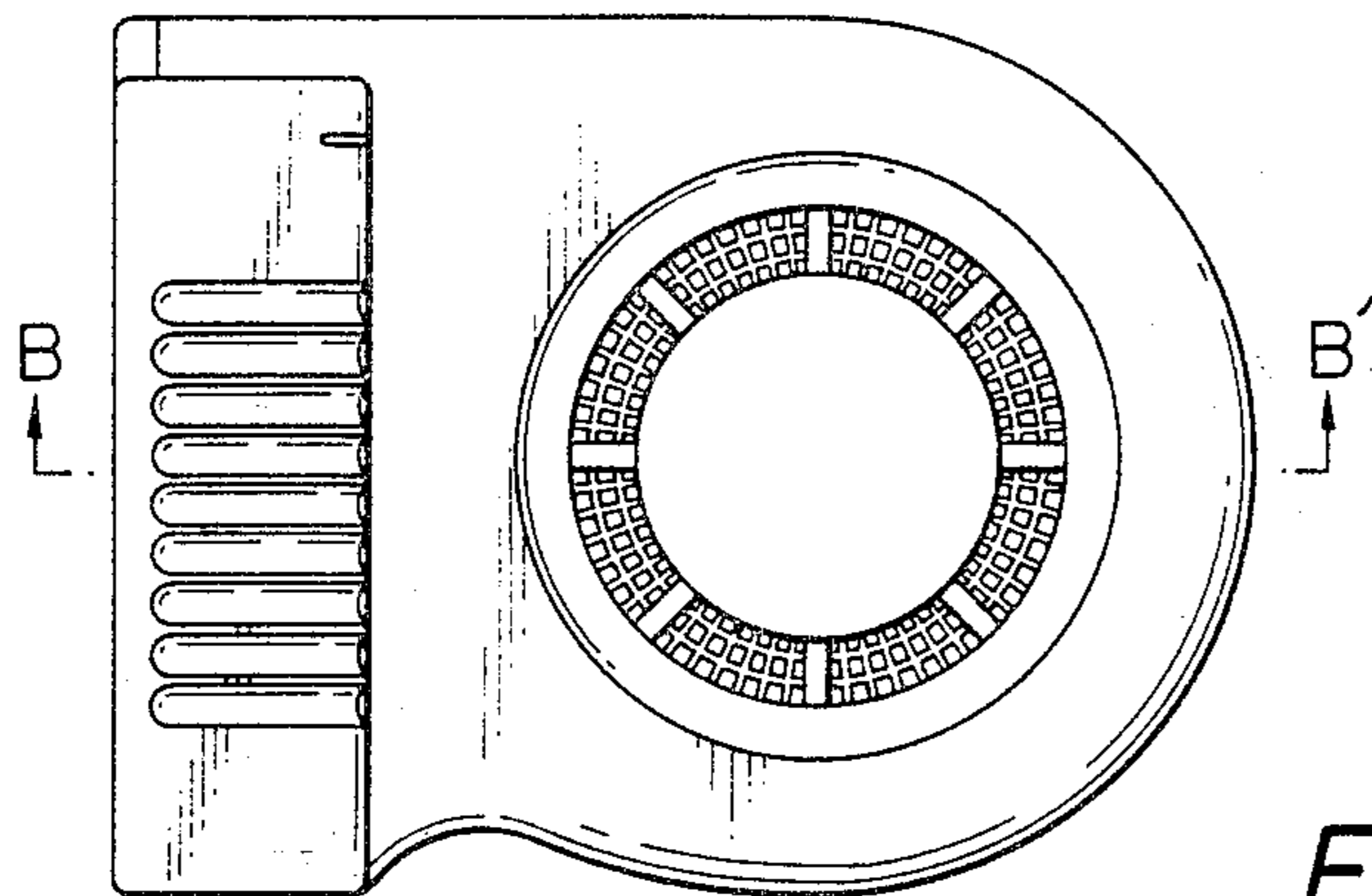


Fig. 9

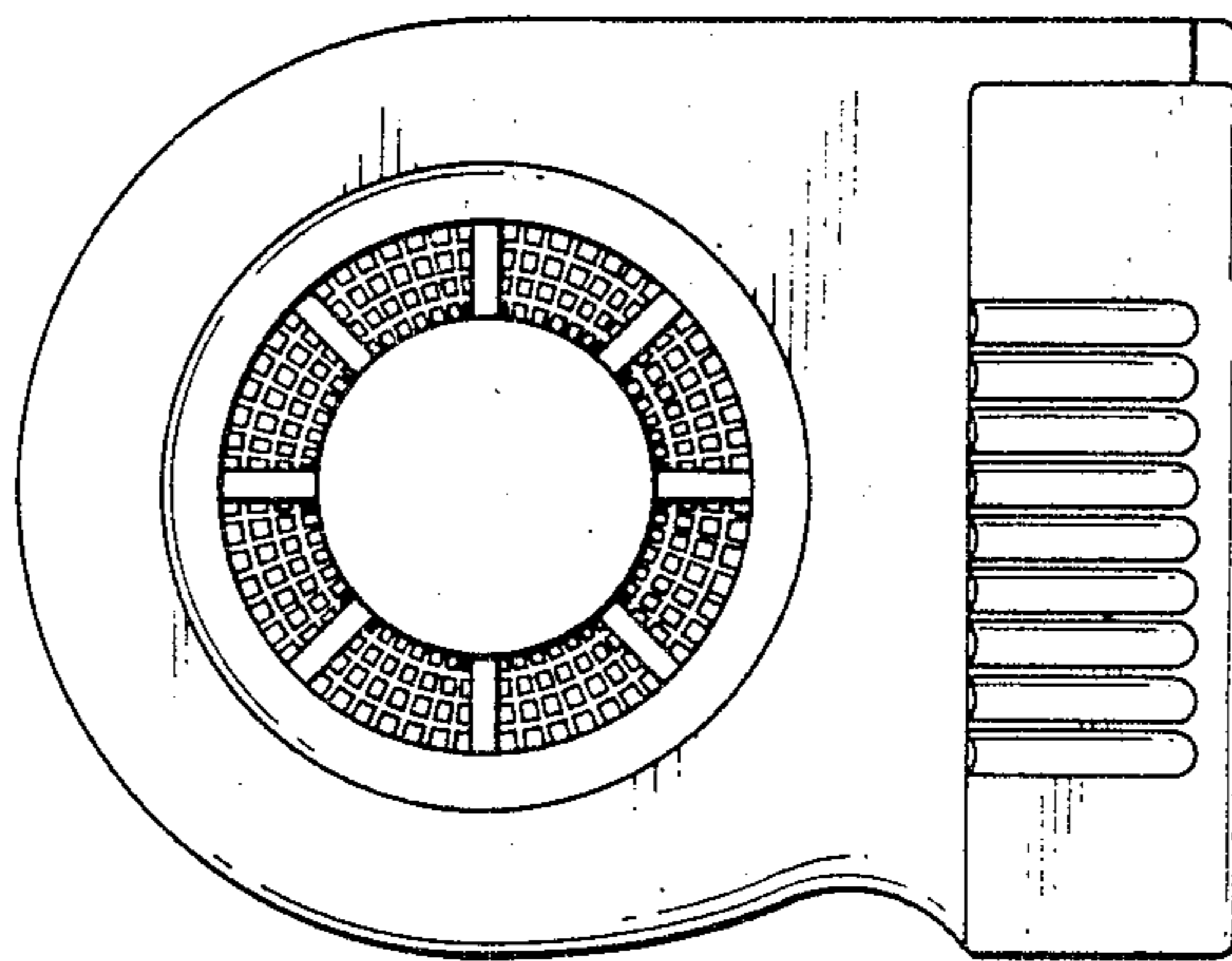


Fig. 10



Fig. 11

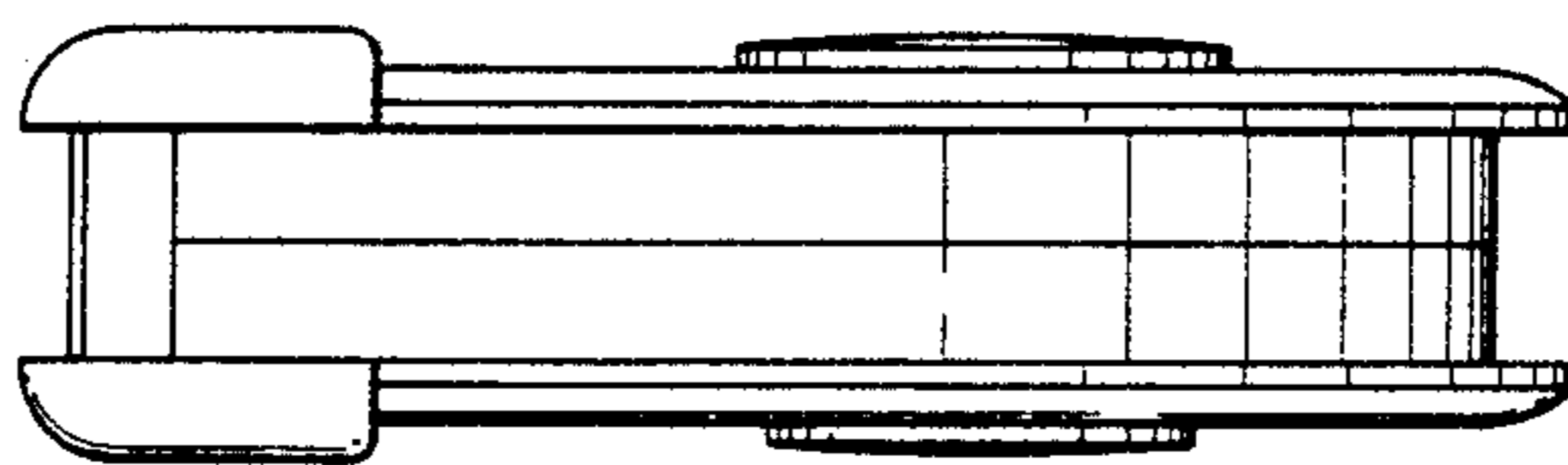


Fig. 12

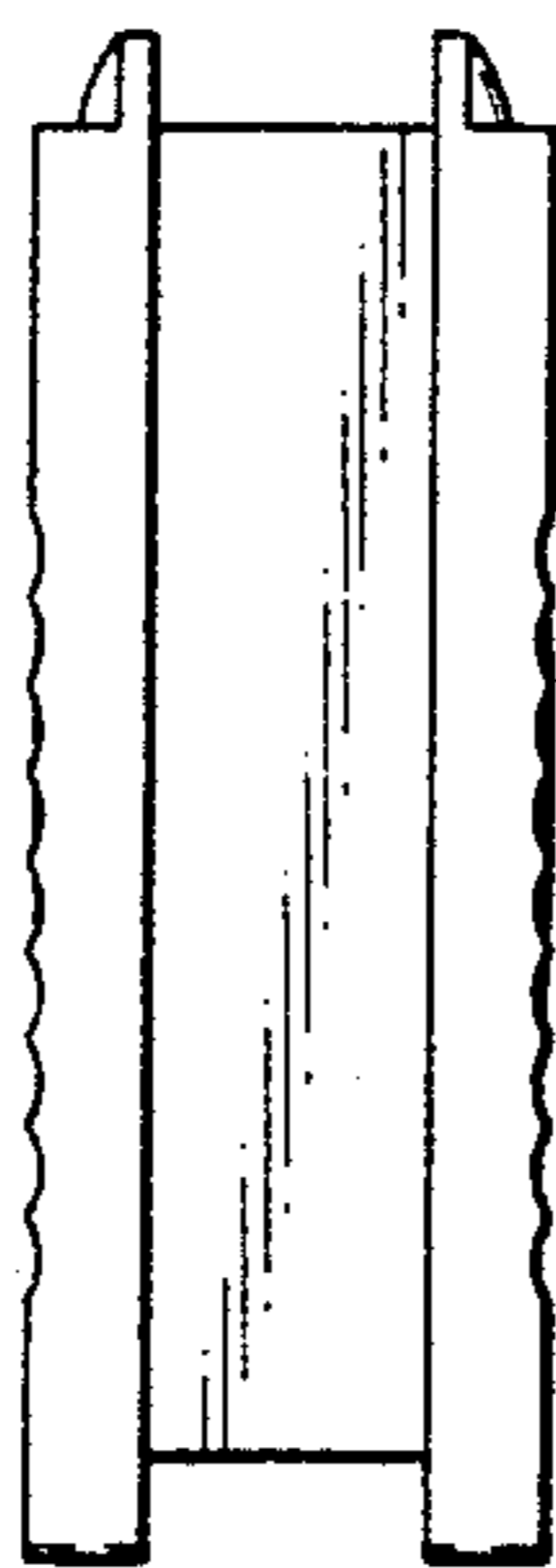


Fig. 13

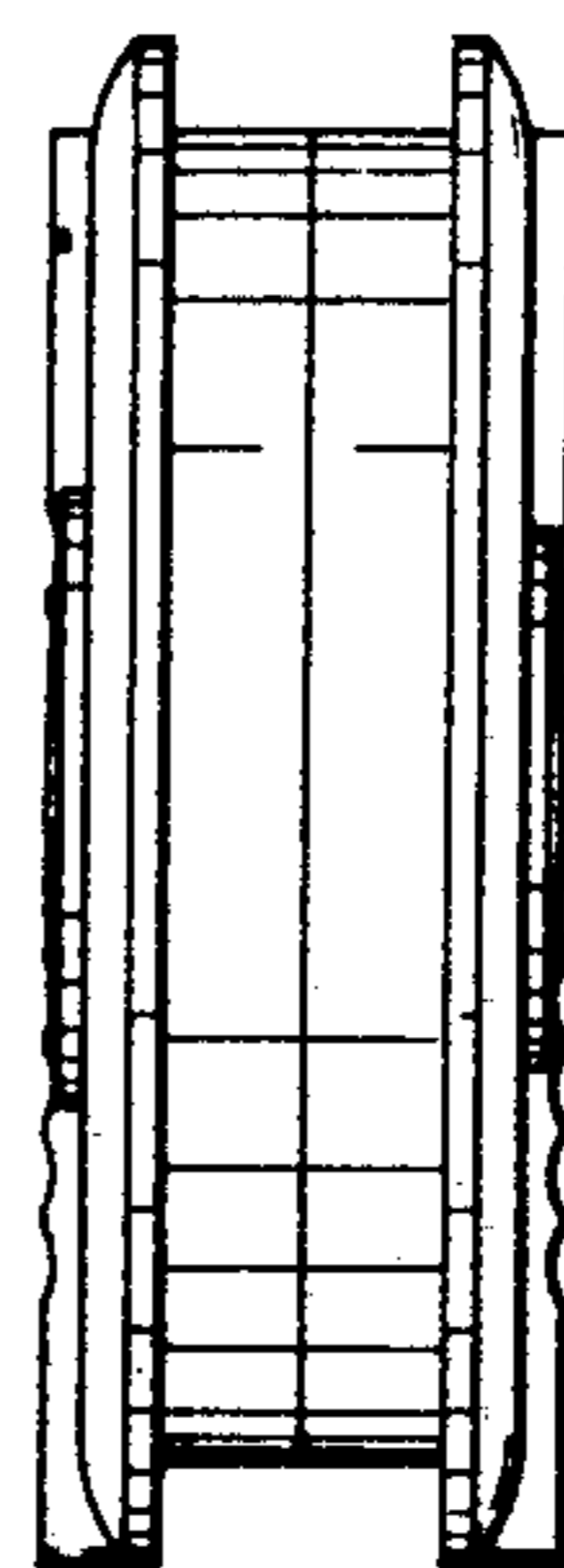


Fig. 14

