

[54] SUNTAN LOTION APPLICATOR

[75] Inventor: Douglas C. Harford, Richmond, Canada

[73] Assignee: Curtex of Canada Ltd., Richmond, Canada

[**] Term: 14 Years

[21] Appl. No.: 708,045

[22] Filed: Mar. 4, 1985

[52] U.S. Cl. D28/7; D7/47; D7/138; D7/140; D28/59

[58] Field of Search D28/4, 5, 7, 10, 51, D28/59; D24/36, 41, 63; 132/88.5, 88.7, DIG. 2; 128/67, 355

[56] References Cited

U.S. PATENT DOCUMENTS

- D. 29,731 11/1898 Morgan D24/63
- D. 75,501 6/1928 Leyne D28/7

- D. 143,105 12/1945 Zabel et al. D7/47
- D. 186,752 11/1959 Dean D28/59
- 2,295,847 9/1942 Hume D24/63 X
- 3,154,418 10/1964 Lovell et al. D7/140 X

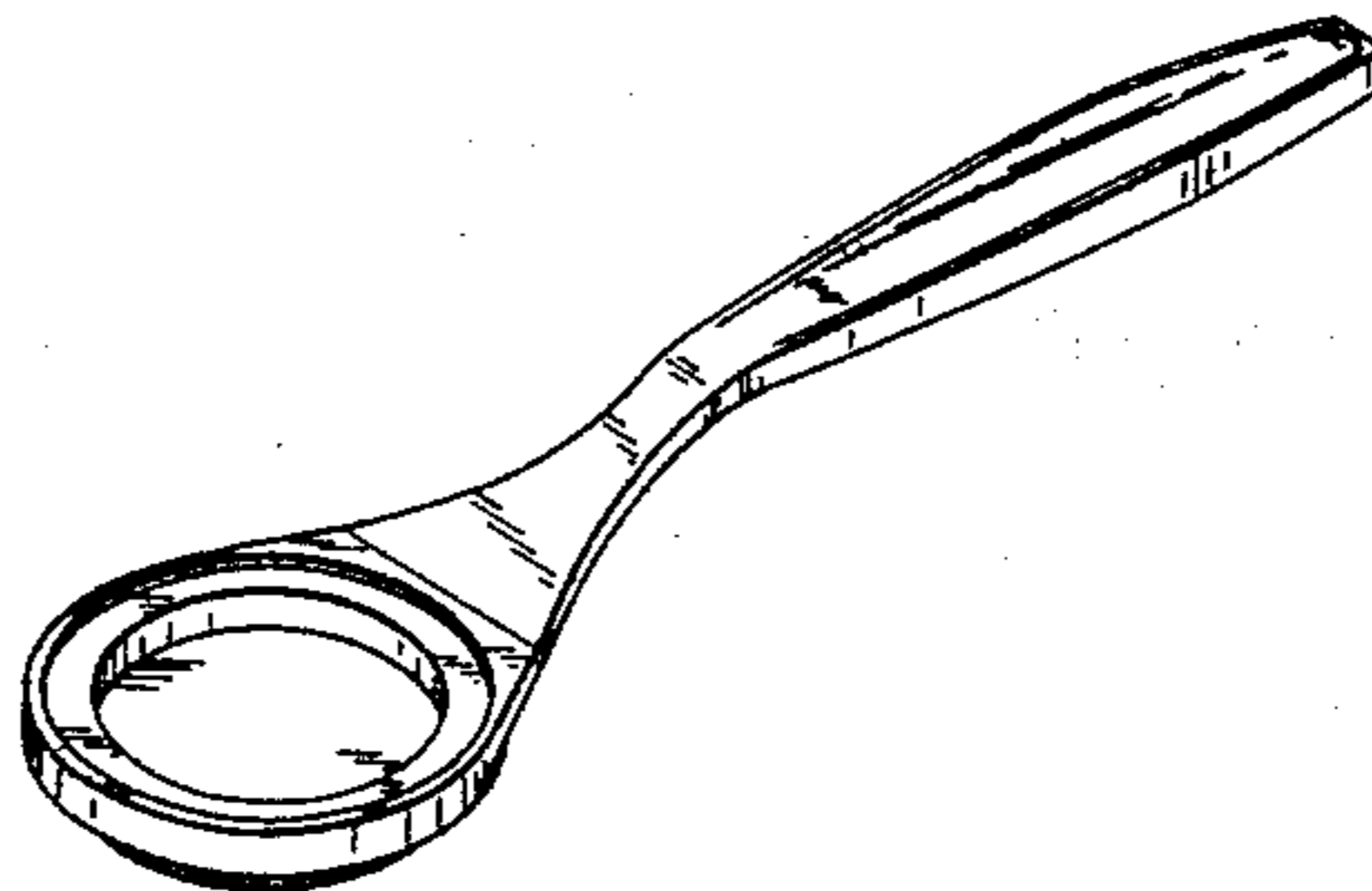
Primary Examiner—Louis S. Zarfes
Attorney, Agent, or Firm—Barrigar & Oyen

[57] CLAIM

The ornamental design for suntan lotion applicator, substantially as shown and described.

DESCRIPTION

FIG. 1 is a perspective view of a suntan lotion applicator showing my new design;
FIG. 2 is a top view thereof;
FIG. 3 is a front end view thereof;
FIG. 4 is a rear end view thereof;
FIG. 5 is a left hand side elevation thereof;
FIG. 6 is a bottom view thereof; and
FIG. 7 is a right hand side elevation thereof in a position inverted from that in FIG. 5.



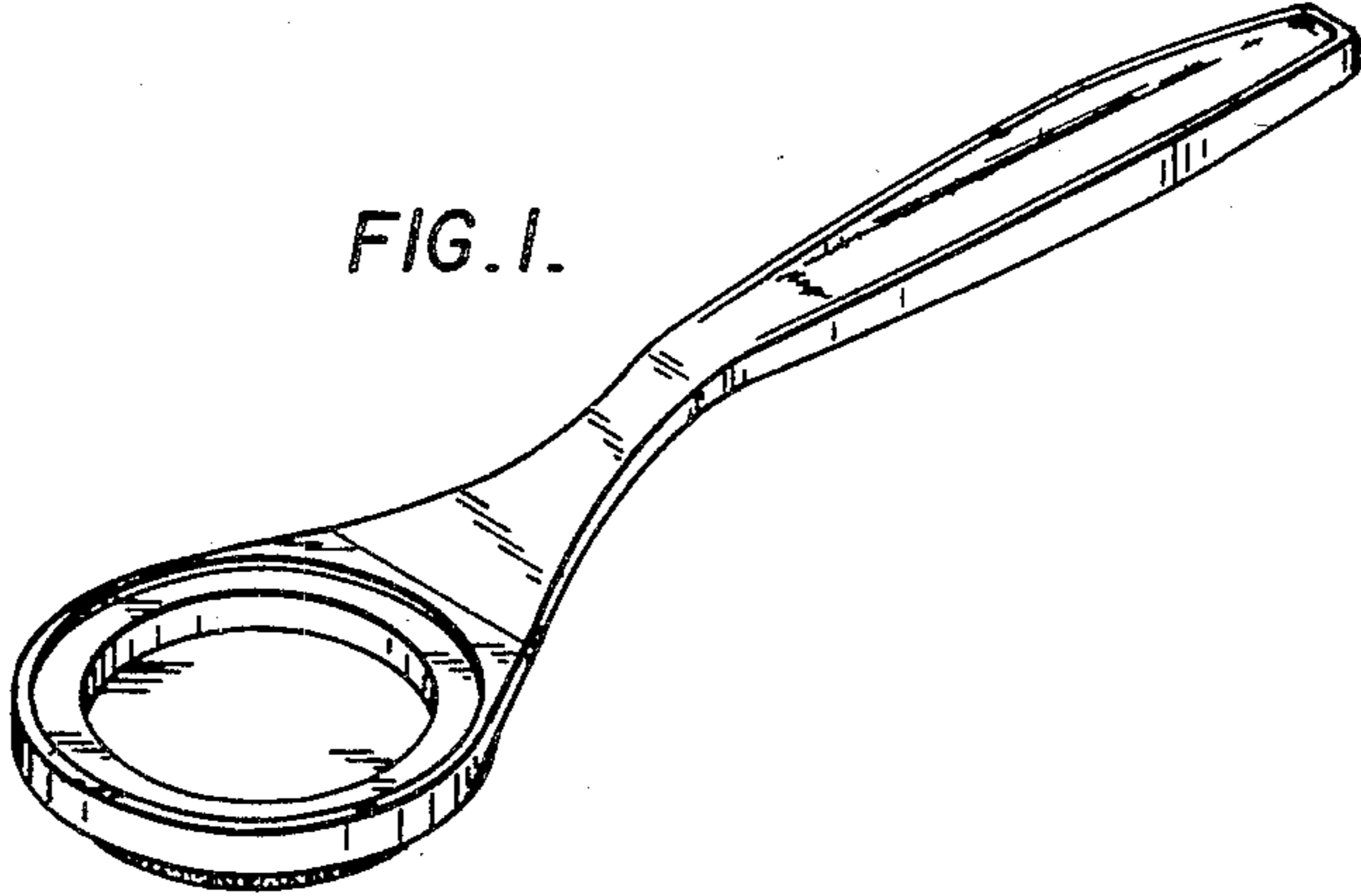


FIG. 3.

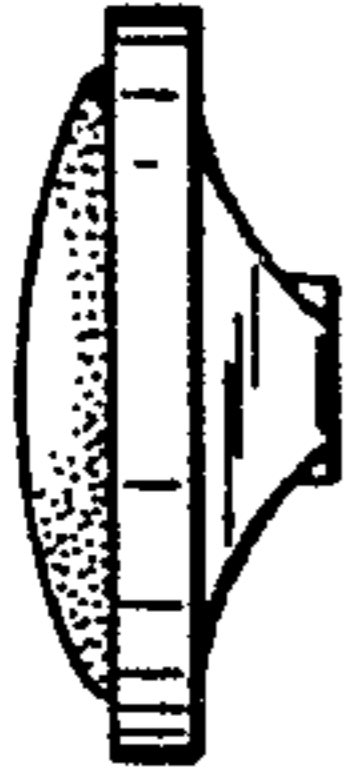


FIG. 2.

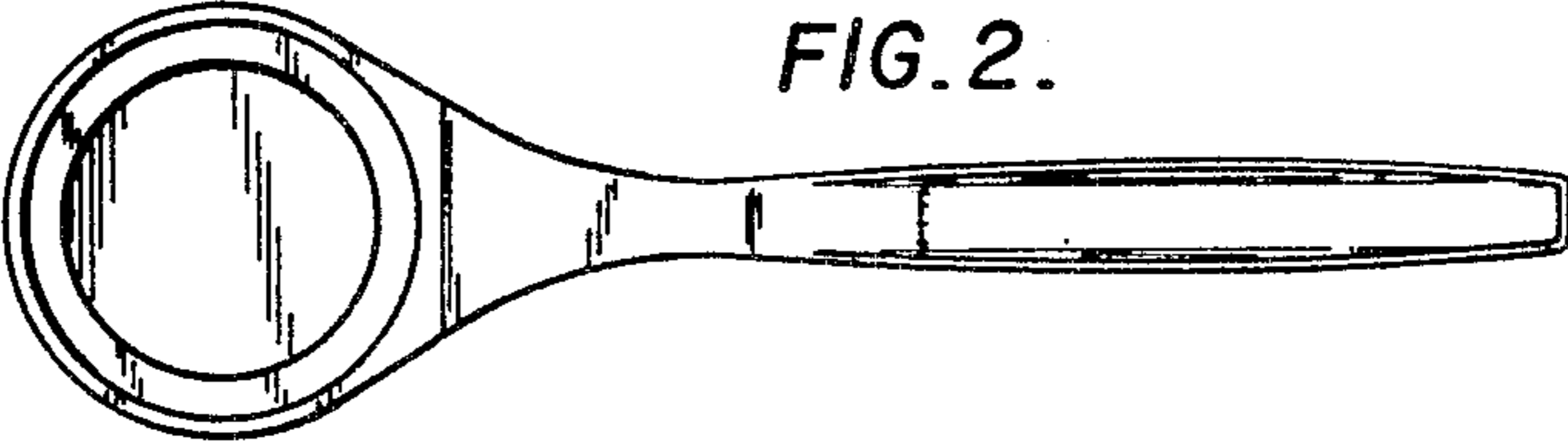


FIG. 4.



FIG. 5.

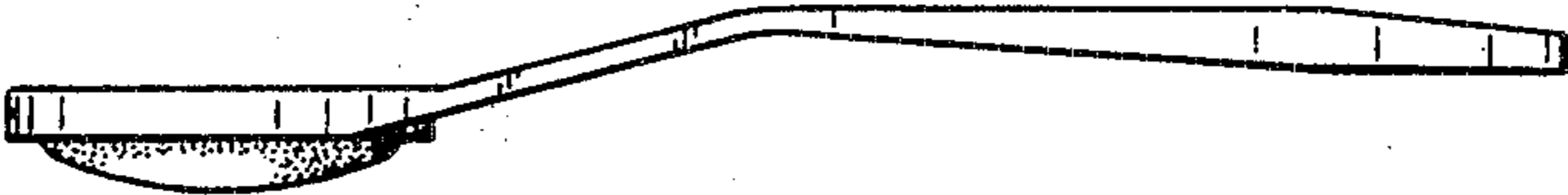


FIG. 6.

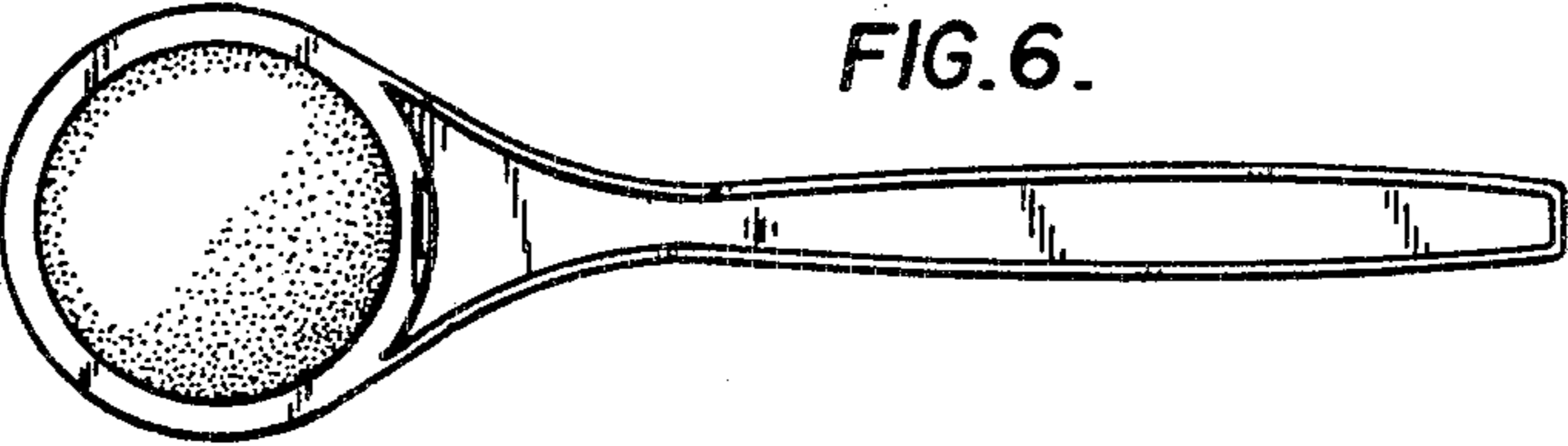


FIG. 7.

