

[54] COMBINED AUXILIARY LIGHT AND COVER THEREFOR

[75] Inventor: Matsuo Ichikawa, Takasaki, Japan

[73] Assignee: Ichikawa Press Industry Co., Ltd., Japan

[\*\*] Term: 14 Years

[21] Appl. No.: 675,016

[22] Filed: Nov. 26, 1984

[52] U.S. Cl. .... D26/28

[58] Field of Search ..... D26/28-36, D26/139; 362/61, 80, 81, 82, 83, 269, 275, 362, 309, 311, 267, 427, 375

[56] References Cited

U.S. PATENT DOCUMENTS

D. 256,057	7/1980	Ichikawa	.....	D26/29
D. 258,692	3/1981	Ozeki	.....	D26/28
D. 271,426	11/1983	Yabata	.....	D26/29
4,442,478	4/1984	Stansbury	.....	362/80 X

Primary Examiner—Susan J. Lucas

Attorney, Agent, or Firm—Lowe, Price, LeBlanc, Becker & Shur

[57] CLAIM

The ornamental design for a combined auxiliary light and cover therefor, as shown and described.

DESCRIPTION

FIG. 1 is an exploded front perspective view of the combined auxiliary light and cover therefor showing my new design;

FIG. 2 is a rear perspective view thereof with the cover omitted for purposes of disclosure;

FIG. 3 is a side elevational view thereof with the cover omitted for purposes of disclosure;

FIG. 4 is a top plan view thereof with the cover omitted for purposes of disclosure;

FIG. 5 is a front perspective view of the auxiliary light and cover in assembled condition;

FIG. 6 is a front elevational view thereof on an enlarged scale with the cover omitted for purposes of disclosure; and

FIG. 7 is a back elevational view thereof on an enlarged scale with the cover omitted for purposes of disclosure.

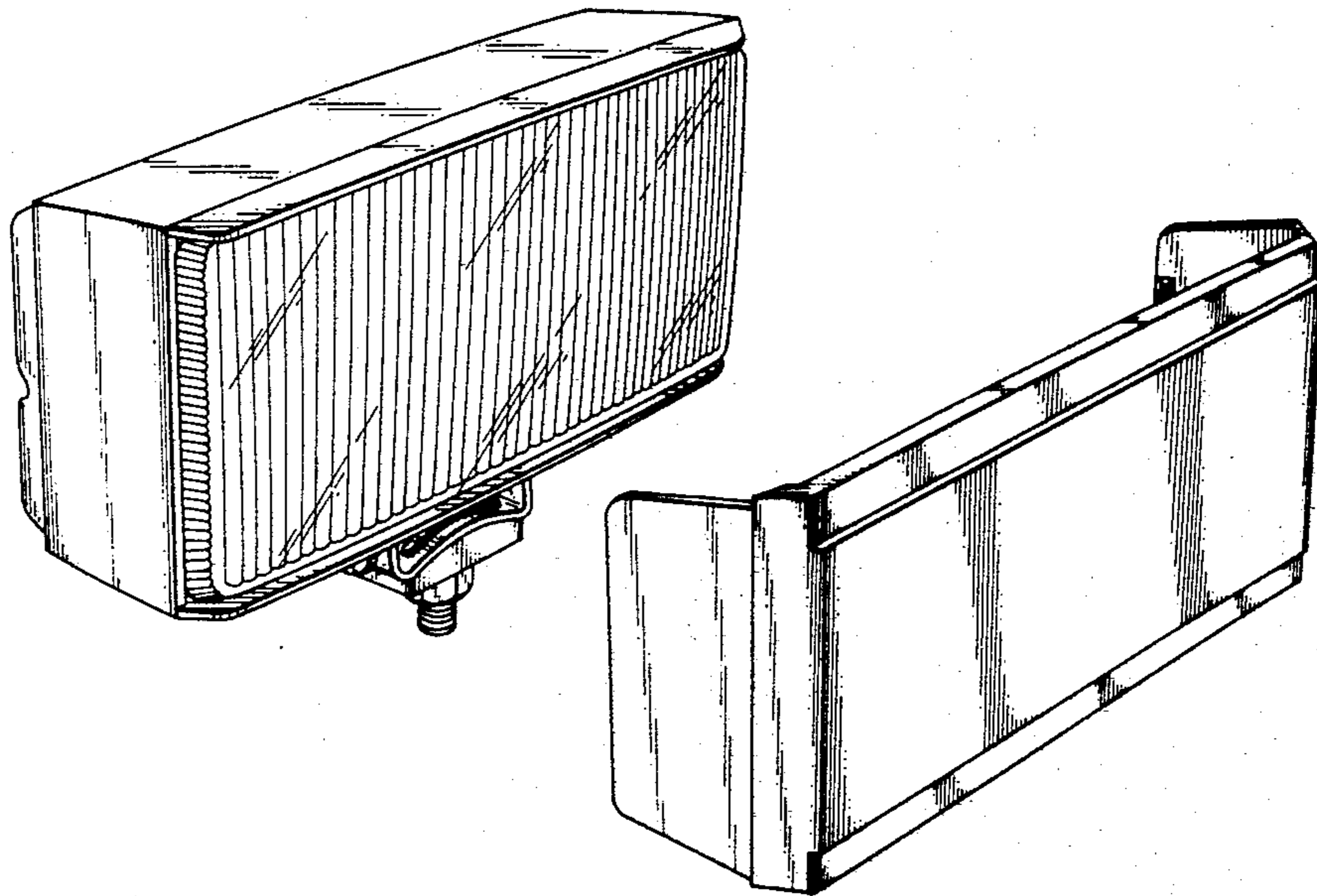


FIG. 1

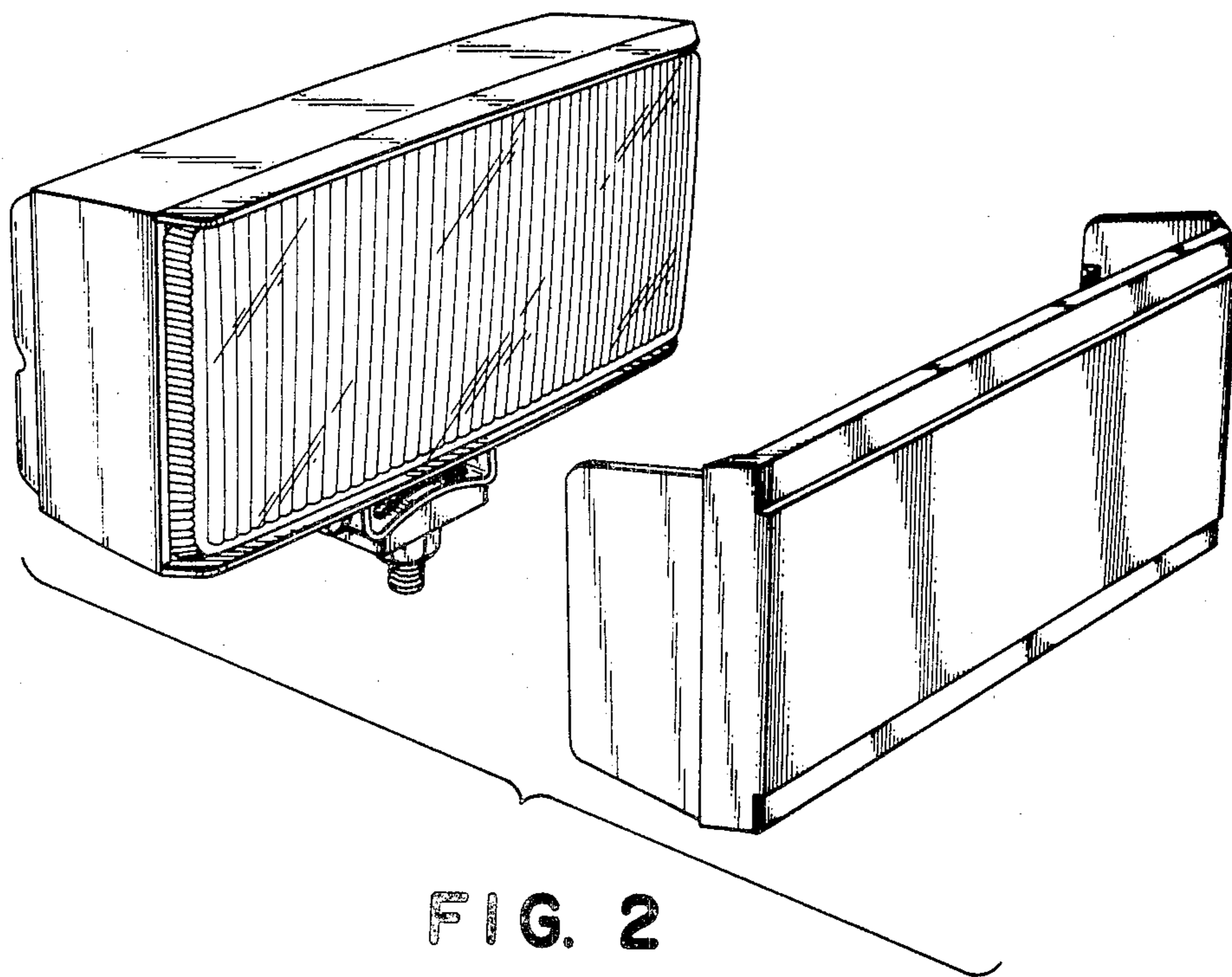


FIG. 2

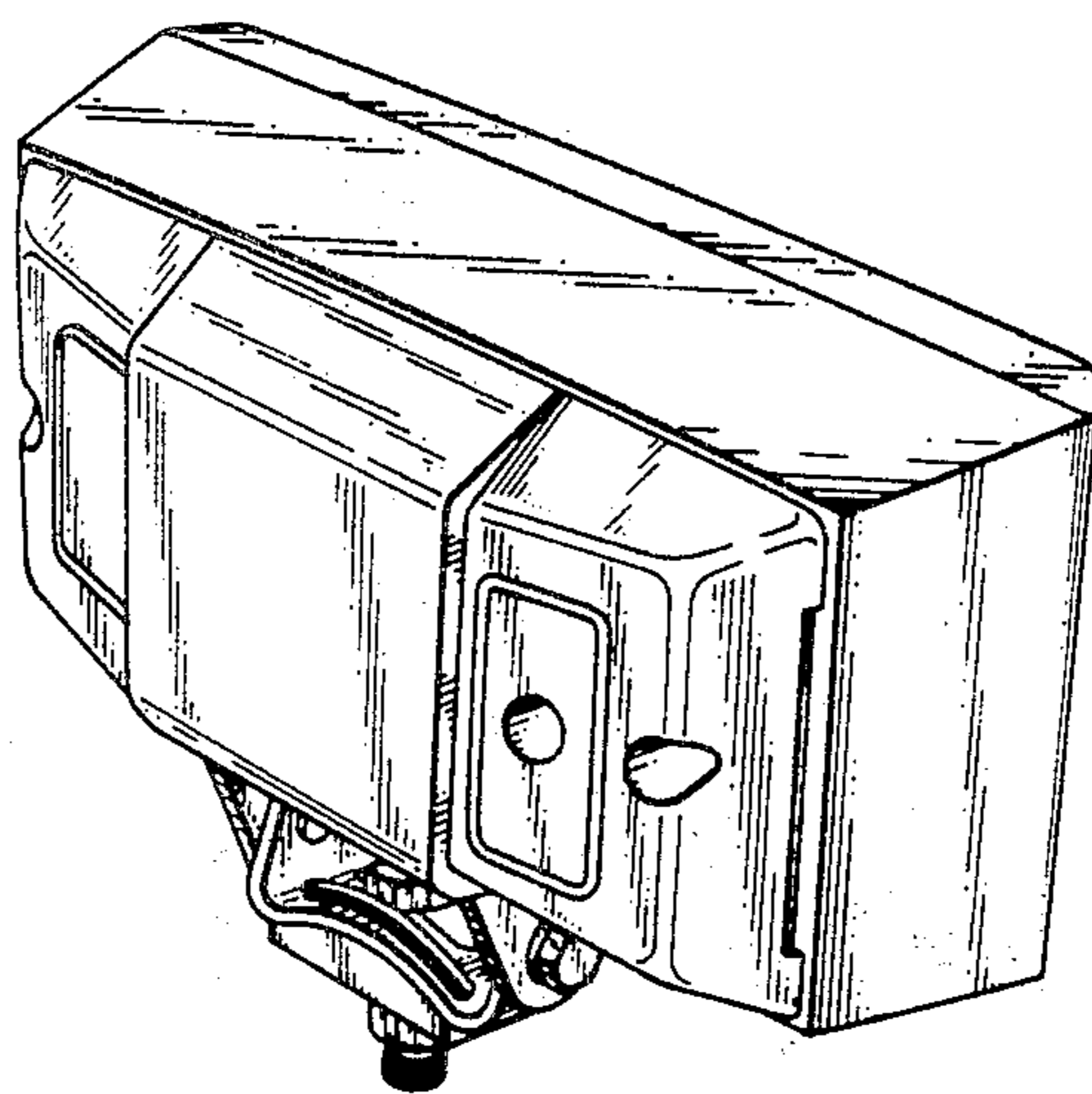


FIG. 3

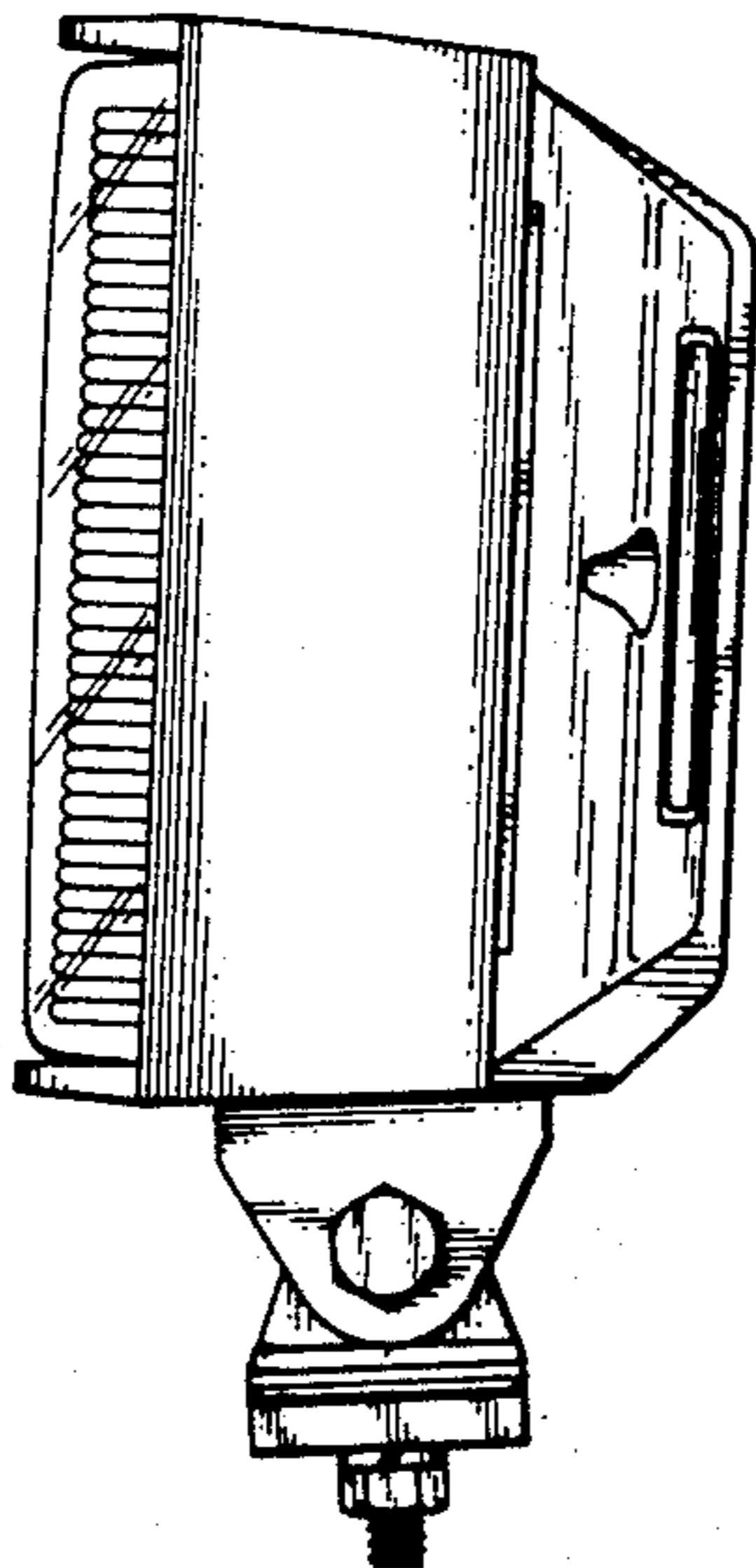


FIG. 4

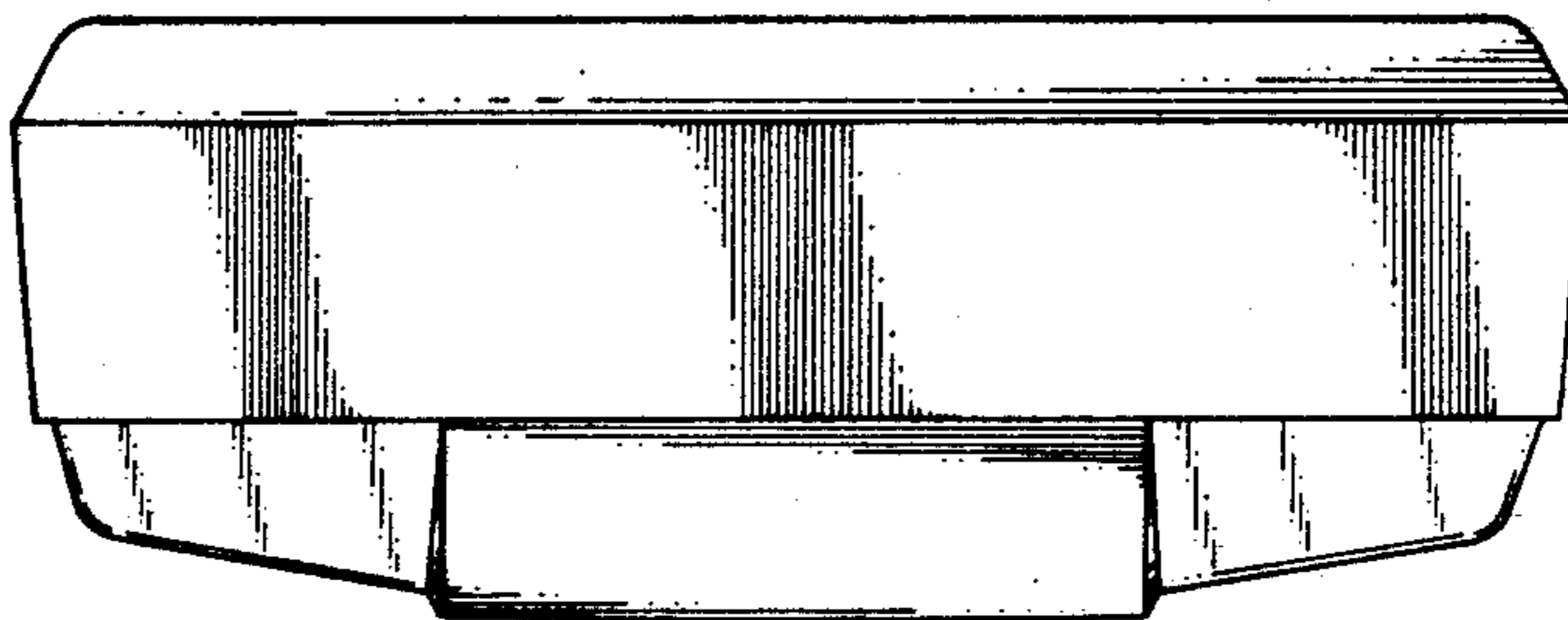
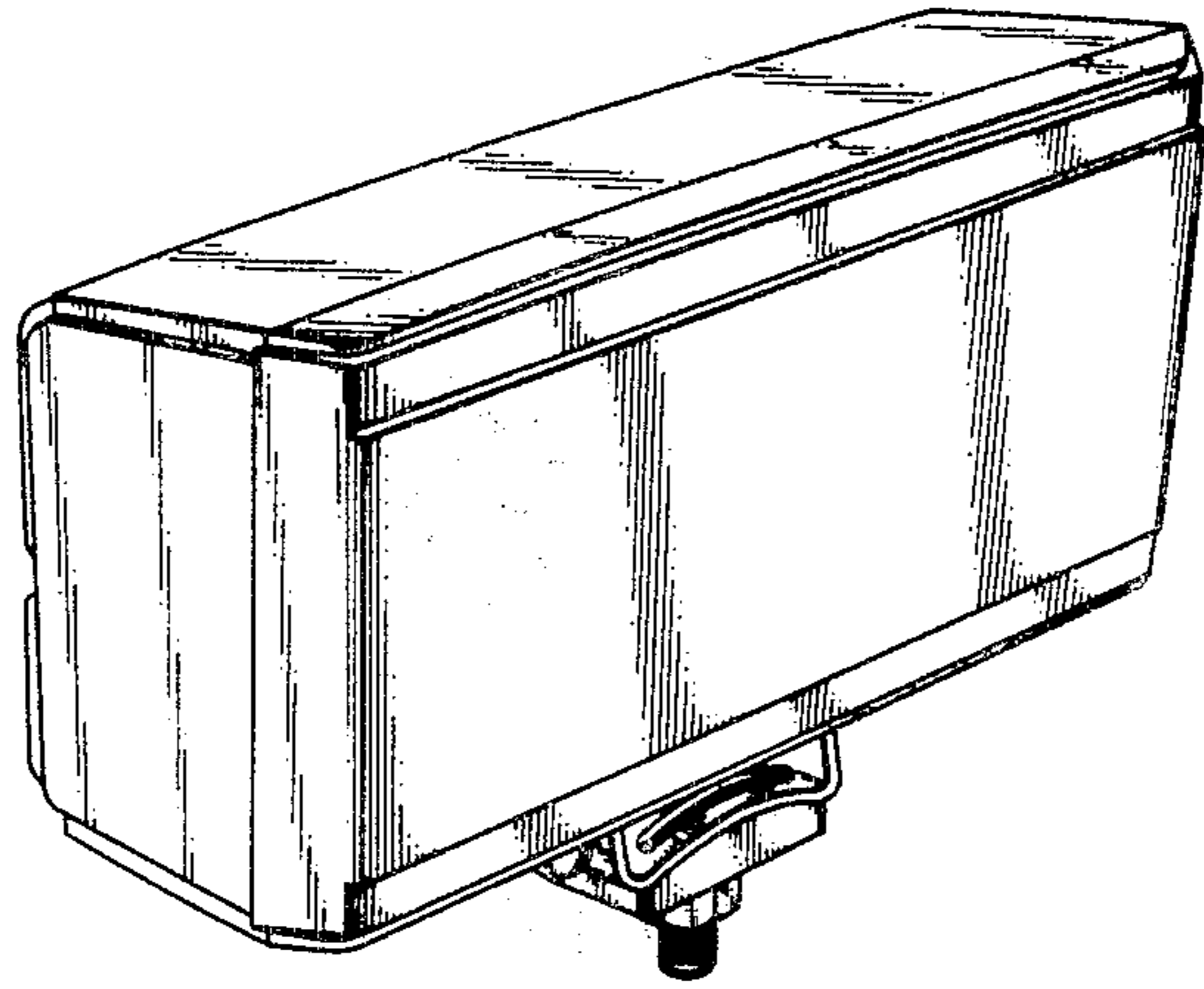


FIG. 5



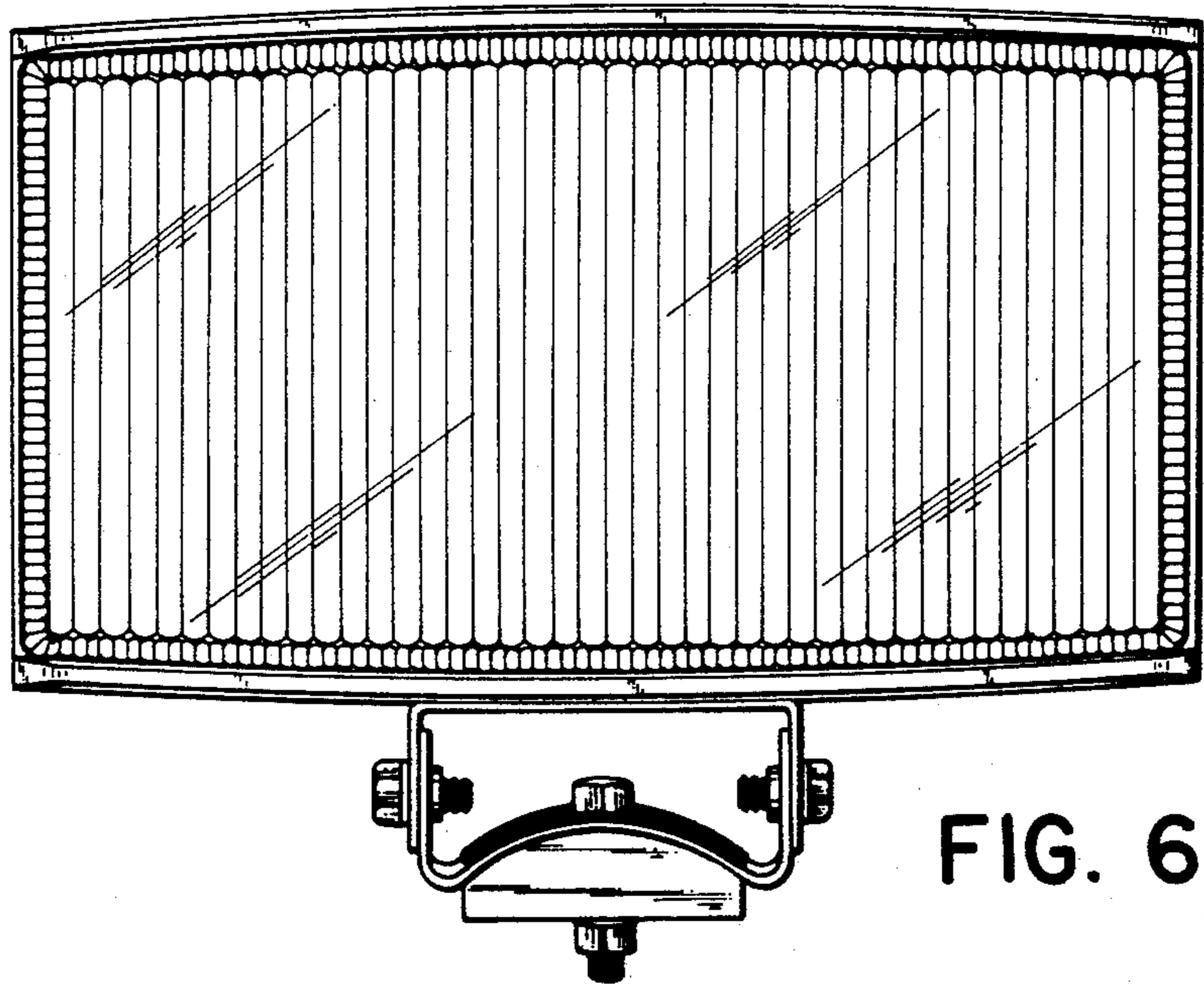


FIG. 6

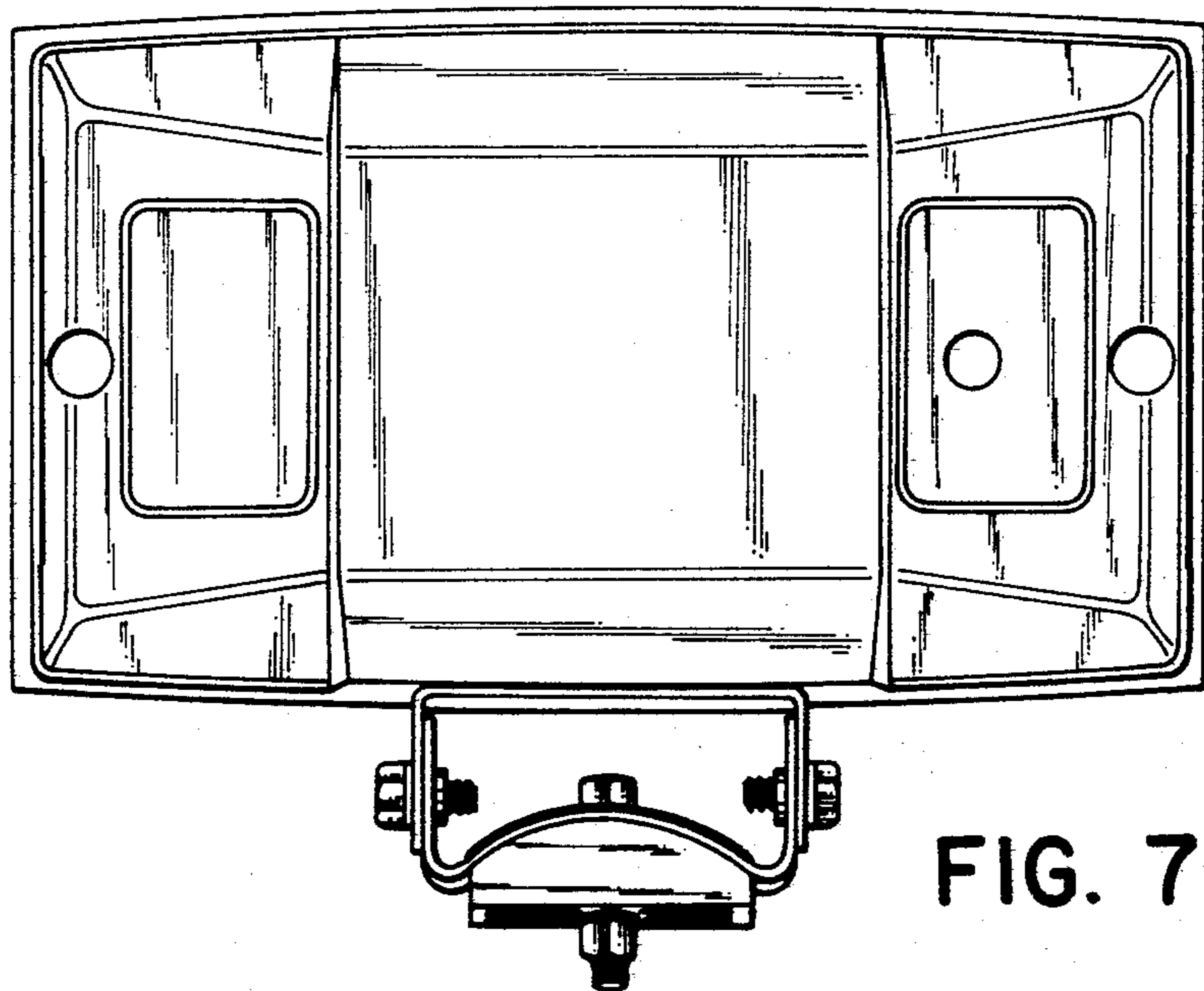


FIG. 7