

[54] DENTAL GAUGE

[76] Inventor: Robert P. Berger, 4421 Rochelle Pl., Encino, Calif. 91316

[**] Term: 14 Years

[21] Appl. No.: 667,630

[22] Filed: Nov. 2, 1984

[52] U.S. Cl. D24/10; D10/64

[58] Field of Search D24/4-5, D24/10-16; D10/70, 64, 73; 433/72-76; 33/168 R; D8/15

[56] References Cited

U.S. PATENT DOCUMENTS

D. 247,452	3/1978	Kitay	D10/70 X
D. 266,434	10/1982	Kowalski	D8/15 X
1,860,174	5/1932	Cronk	D10/64 X
4,047,303	9/1977	Ziofsky et al.	433/72

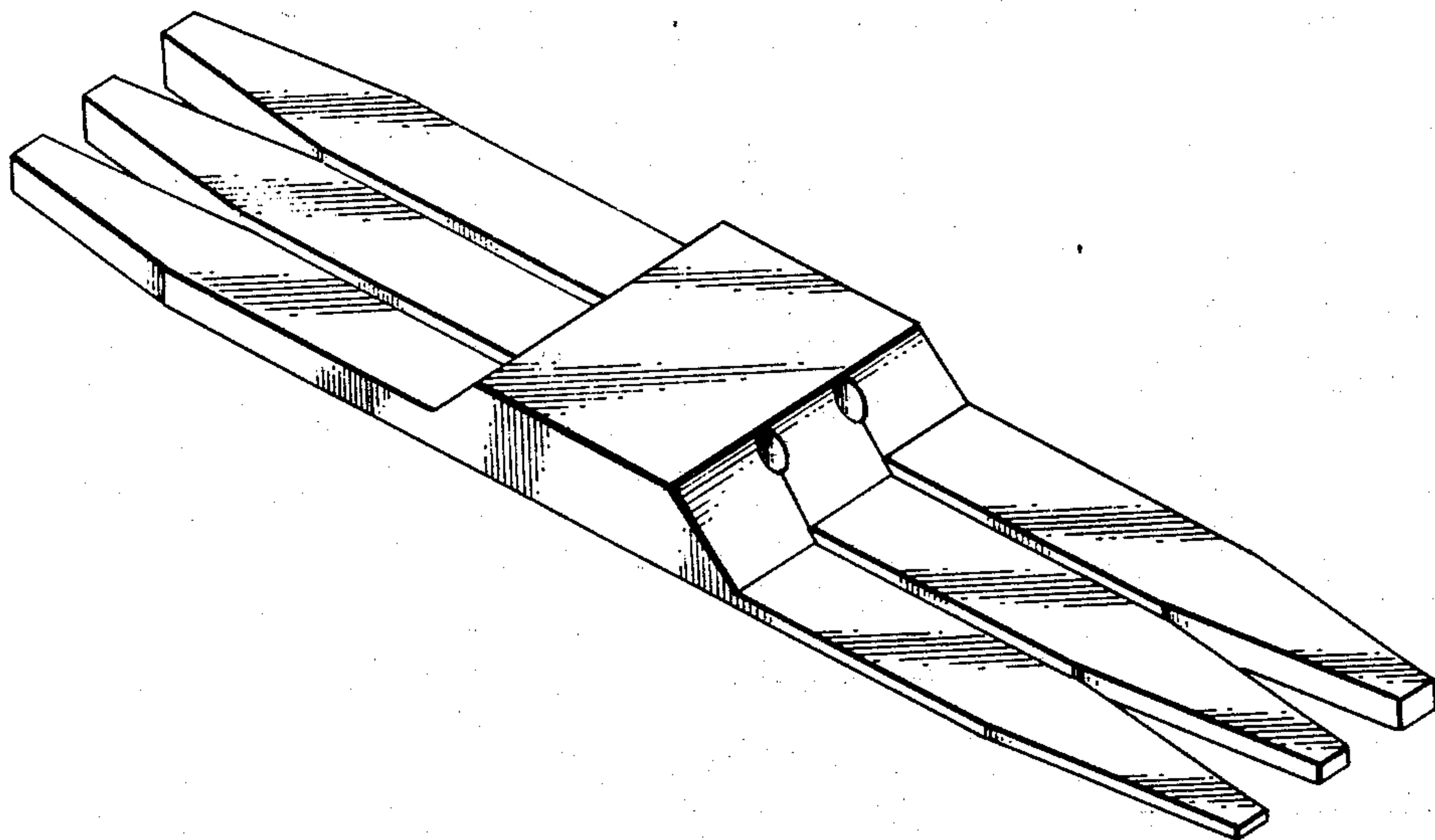
Primary Examiner—Wallace R. Burke
Assistant Examiner—Brian N. Vinson
Attorney, Agent, or Firm—Allan M. Shapiro

[57] CLAIM

The ornamental design for a dental gauge, substantially as shown.

DESCRIPTION

FIG. 1 is a perspective view of a dental gauge, showing my new design;
FIG. 2 is a top plan view thereof;
FIG. 3 is a bottom plan view thereof;
FIG. 4 is a side elevational view thereof as seen from the top of FIG. 2;
FIG. 5 is a side elevational view thereof as seen from the bottom of FIG. 2;
FIG. 6 is an end elevational view thereof as seen from the right of FIG. 4; and
FIG. 7 is an end elevational view thereof as seen from the right of FIG. 5.



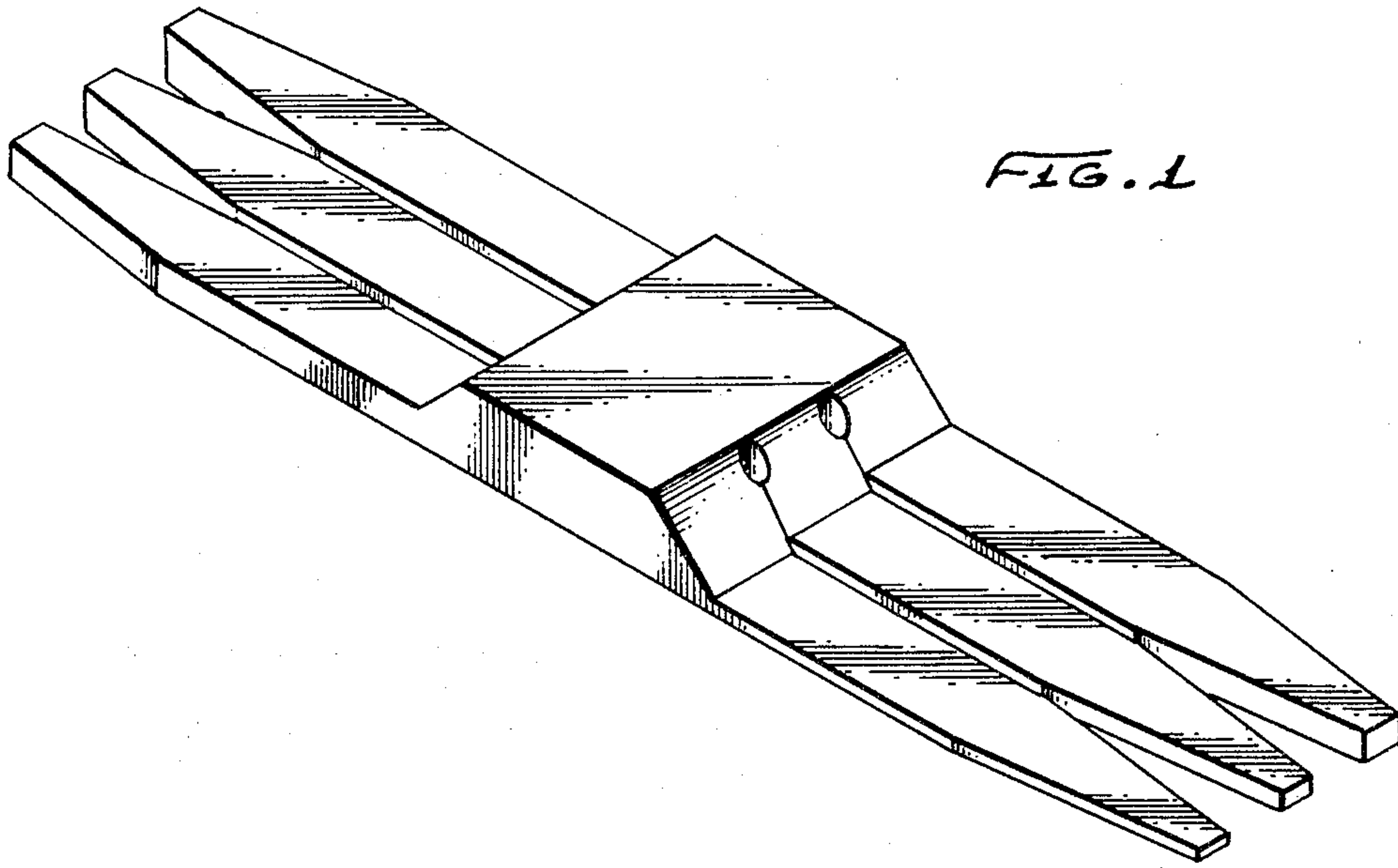


FIG. 2

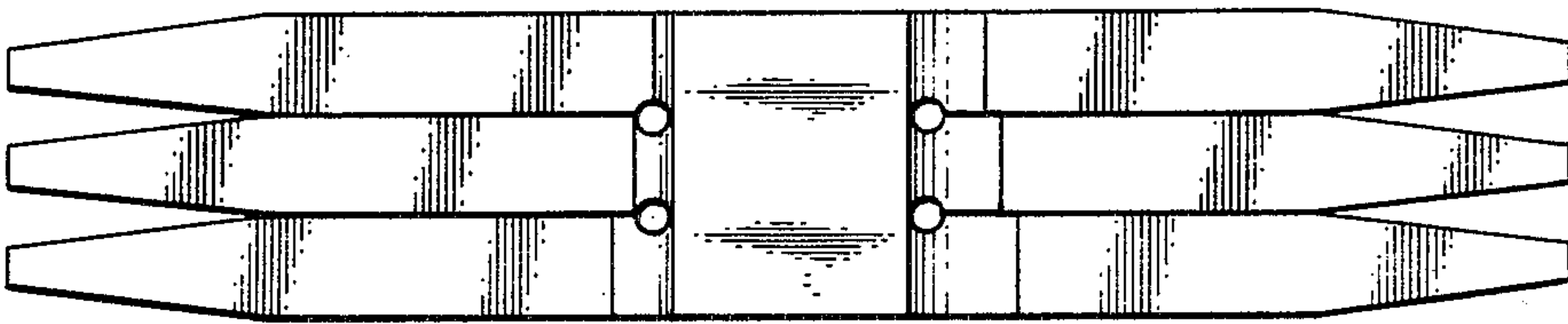


FIG. 3

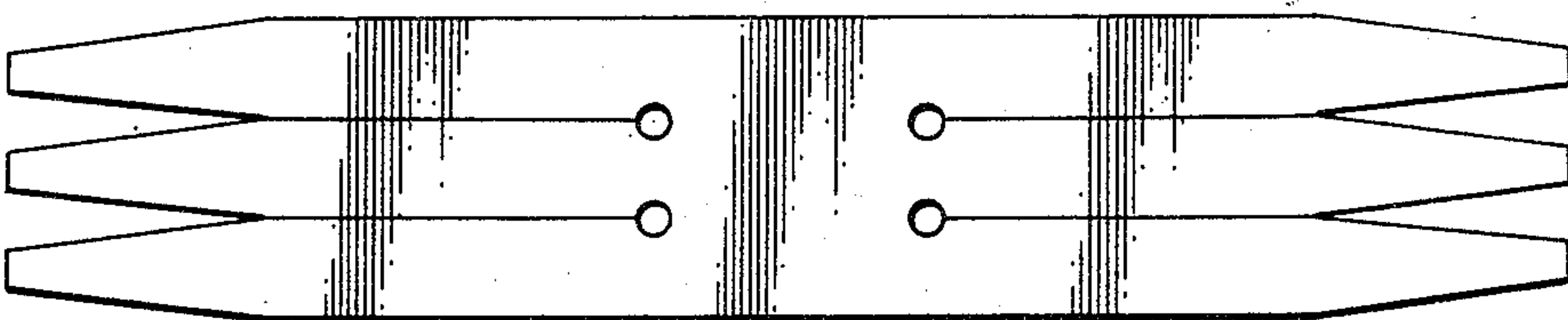


FIG. 4



FIG. 5

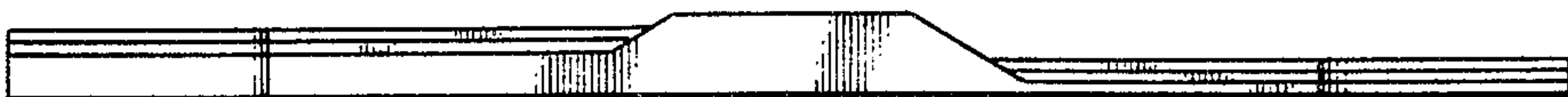


FIG. 6



FIG. 7

