

[54] SPRINKLER HEAD HOUSING
[75] Inventor: Barry F. Byrne, Killarney Heights, Australia
[73] Assignee: Wormald International Limited, Crows Nest, Australia

[**] Term: 14 Years

[21] Appl. No.: 568,412

[22] Filed: Jan. 5, 1984

[30] Foreign Application Priority Data

Jul. 5, 1983 [AU] Australia 4310/83
[52] U.S. Cl. D23/6
[58] Field of Search D23/6-9;
239/373, 391, 502, 524, 562, 201

[56] References Cited

U.S. PATENT DOCUMENTS

D. 212,091 8/1968 Cloud D23/7

D. 217,767 6/1970 Harness D23/7
D. 222,674 11/1971 Engel D23/7
D. 275,416 9/1984 Clivio et al. D23/7
1,942,395 1/1934 Bersted 239/391
3,015,448 1/1962 Hurless D23/7 X
3,249,309 5/1966 Blackhall 239/524

Primary Examiner—Wallace R. Burke
Assistant Examiner—Brian N. Vinson
Attorney, Agent, or Firm—Sandler & Greenblum

[57] CLAIM

The ornamental design for a sprinkler head housing, as shown.

DESCRIPTION

FIG. 1 is a top perspective view of a concealing cap for sealing-mounted fire sprinkler heads showing my new design;
FIG. 2 is a top plan view thereof;
FIG. 3 is a front elevation thereof;
FIG. 4 is a bottom plan view thereof; and
FIG. 5 is a rear elevation thereof.

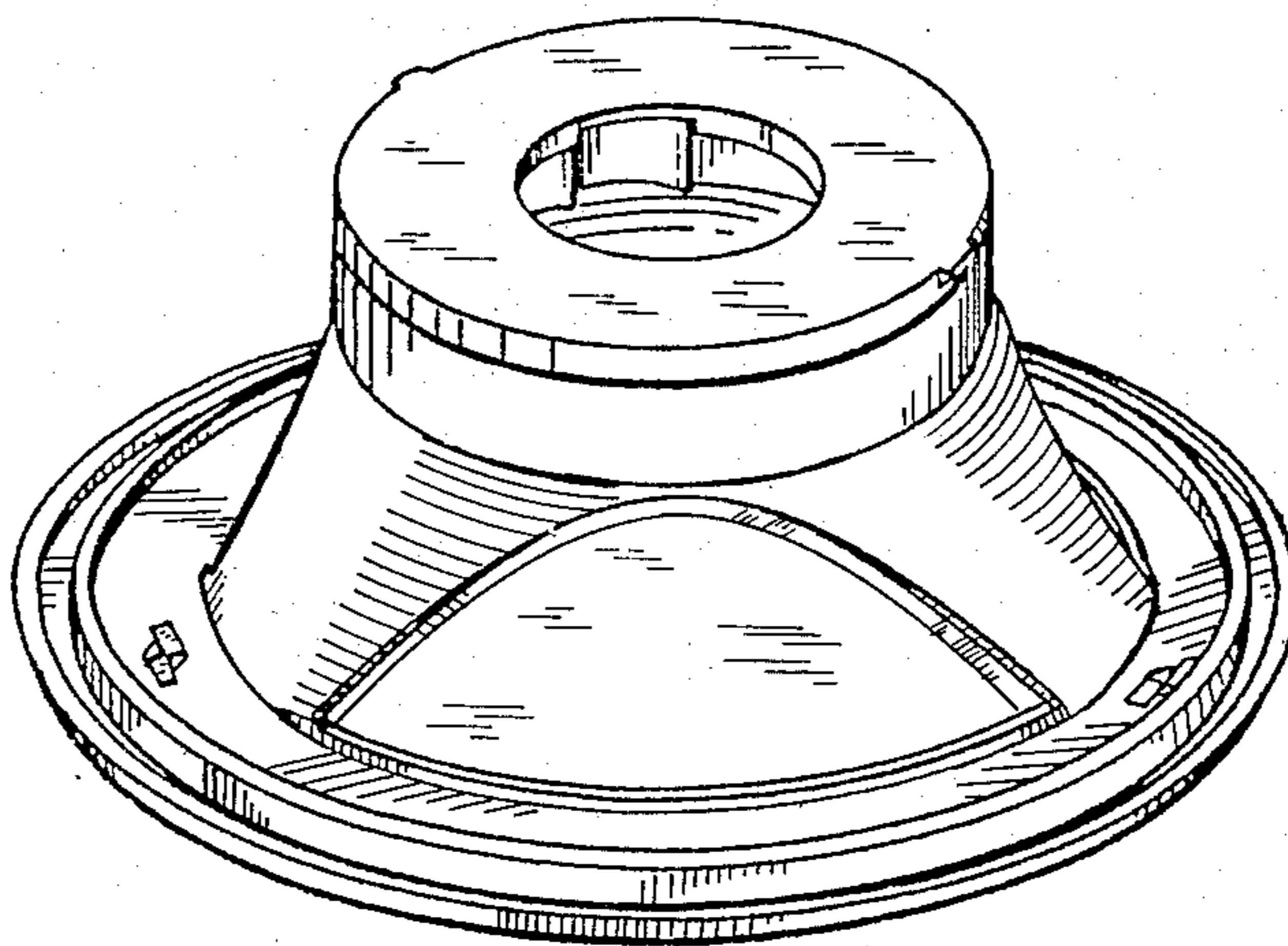


FIG. 1.

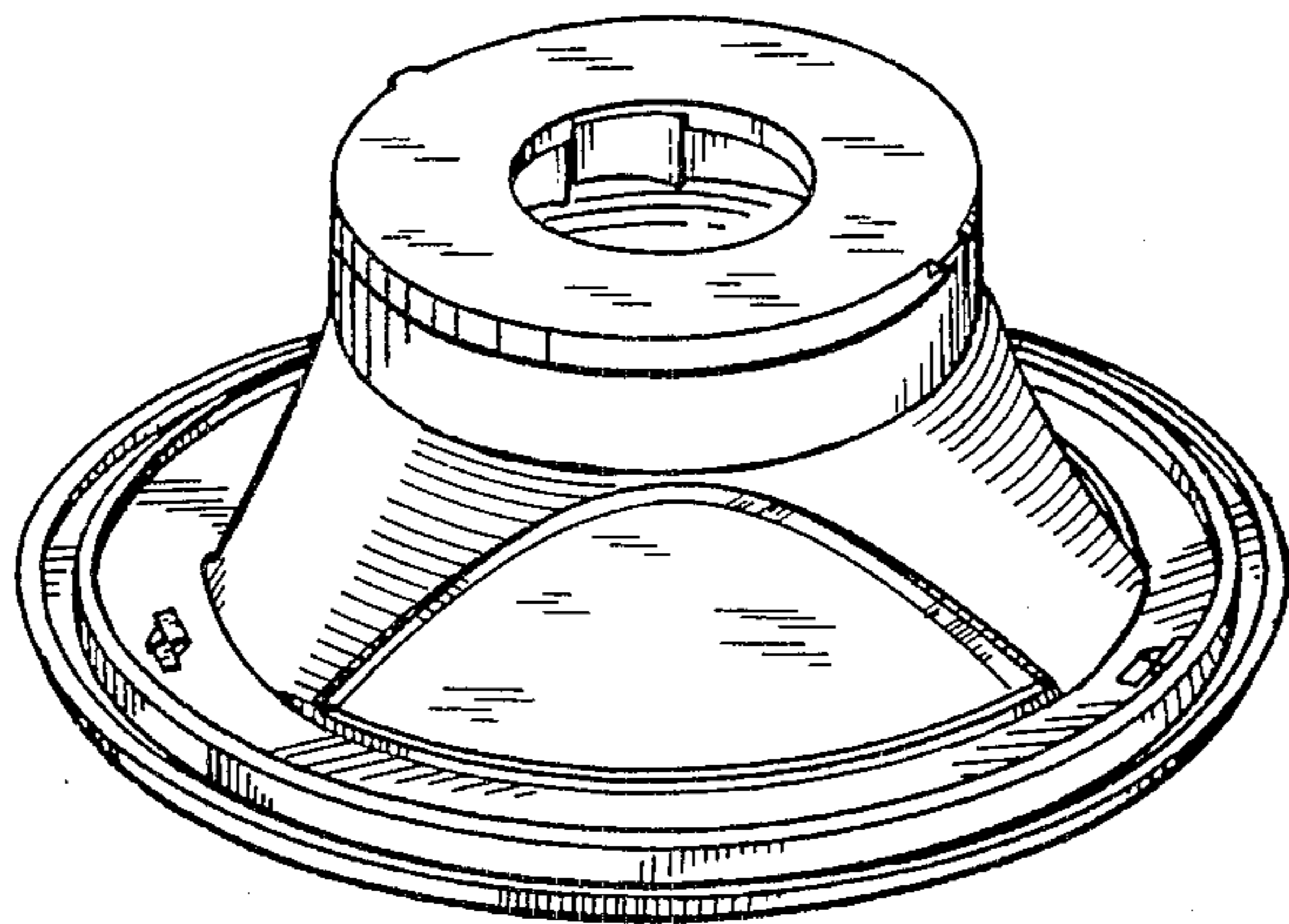


FIG. 2.

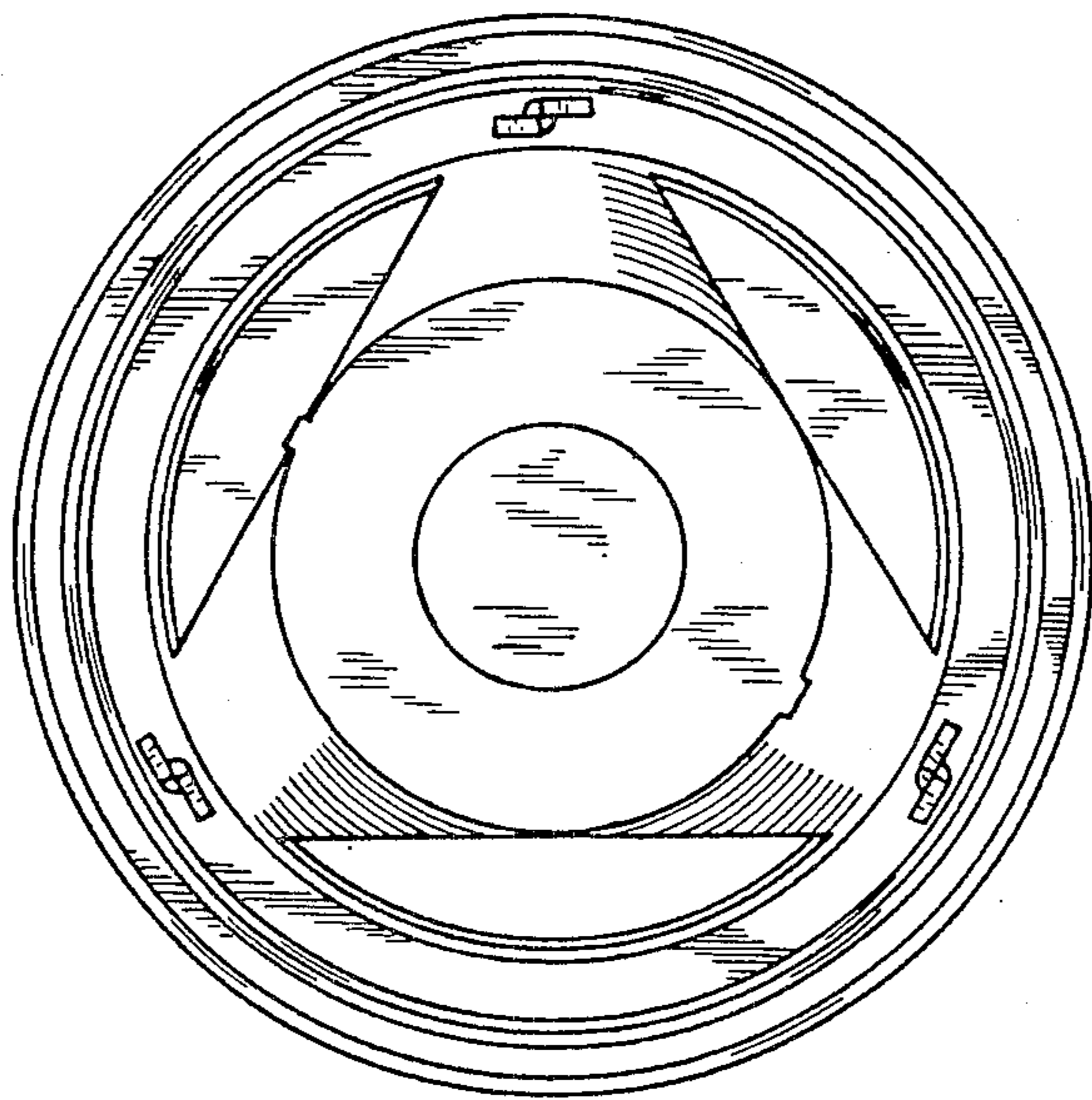


FIG. 3.

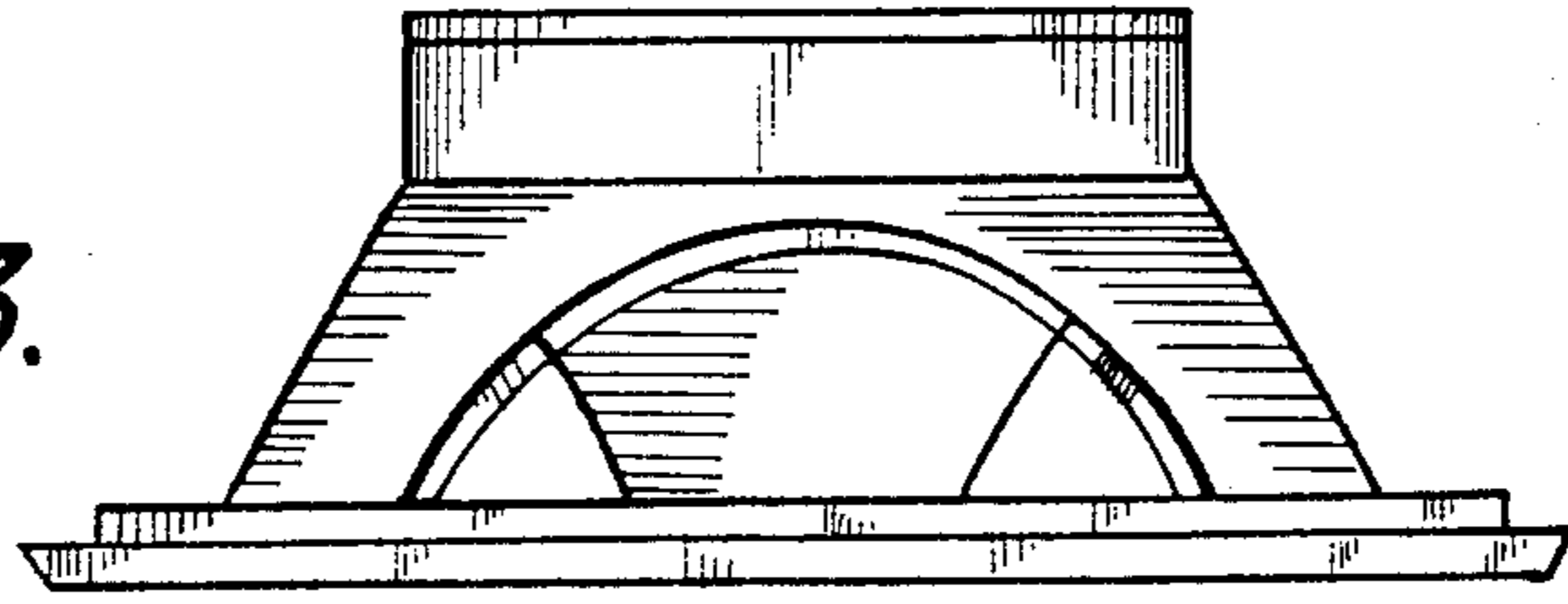


FIG. 4.

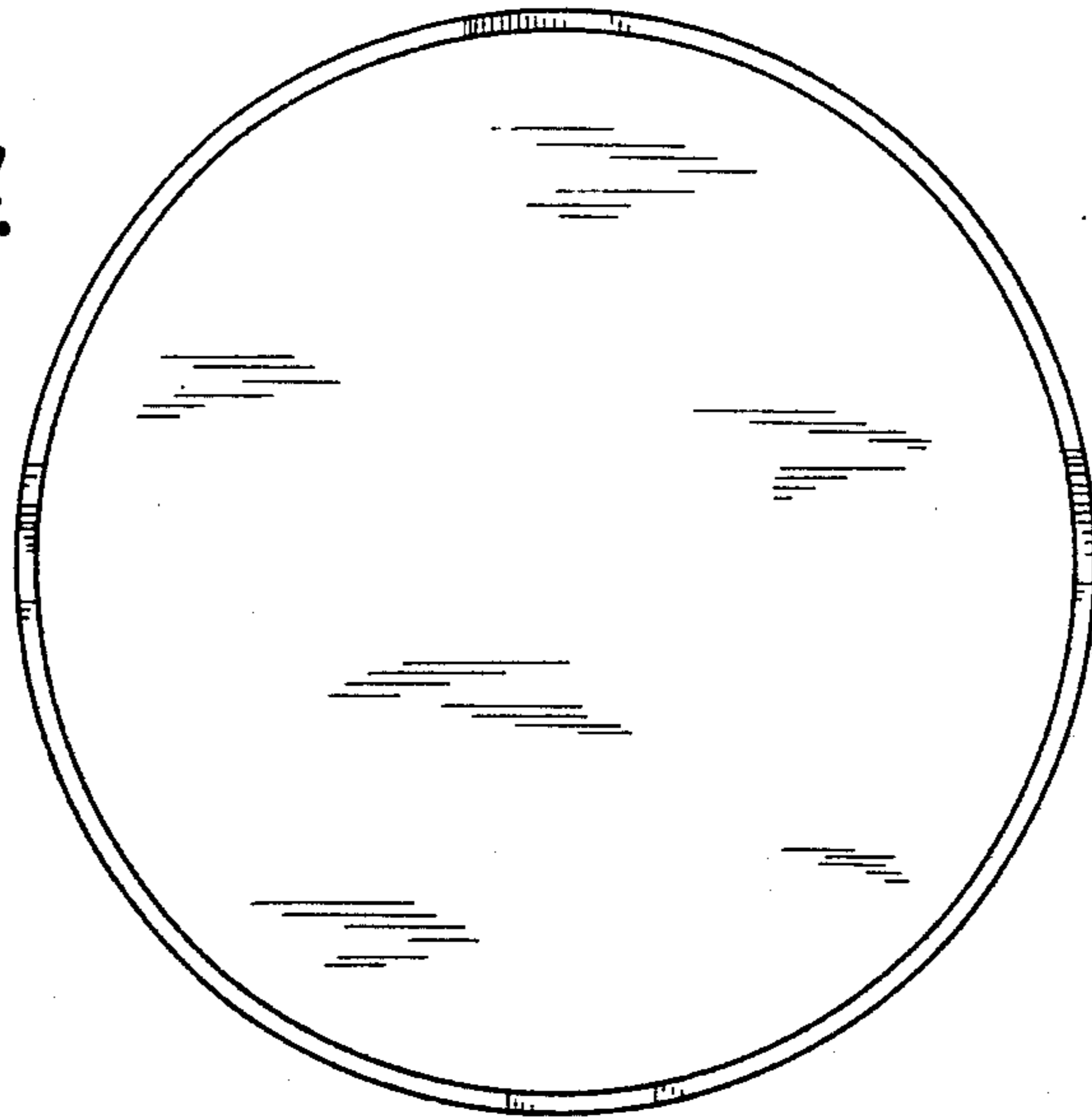


FIG. 5.

