

[54] PLAYGROUND ROTATING SWING

[76] Inventor: Karen K. S. Forester, 2025 Stone Rd., Wylie, Tex. 75098

[**] Term: 14 Years

[21] Appl. No.: 654,850

[22] Filed: Sep. 26, 1984

[52] U.S. Cl. D21/248; D21/246

[58] Field of Search D21/242-248; 272/49, 33 R, 89

[56] References Cited

U.S. PATENT DOCUMENTS

D. 193,195	7/1962	Ahrens	D21/248
3,119,612	1/1964	Whitson	272/49
3,127,169	3/1964	Guihan	272/49

OTHER PUBLICATIONS

Playthings, Jan., 1960, p. 125, Space Trainer.

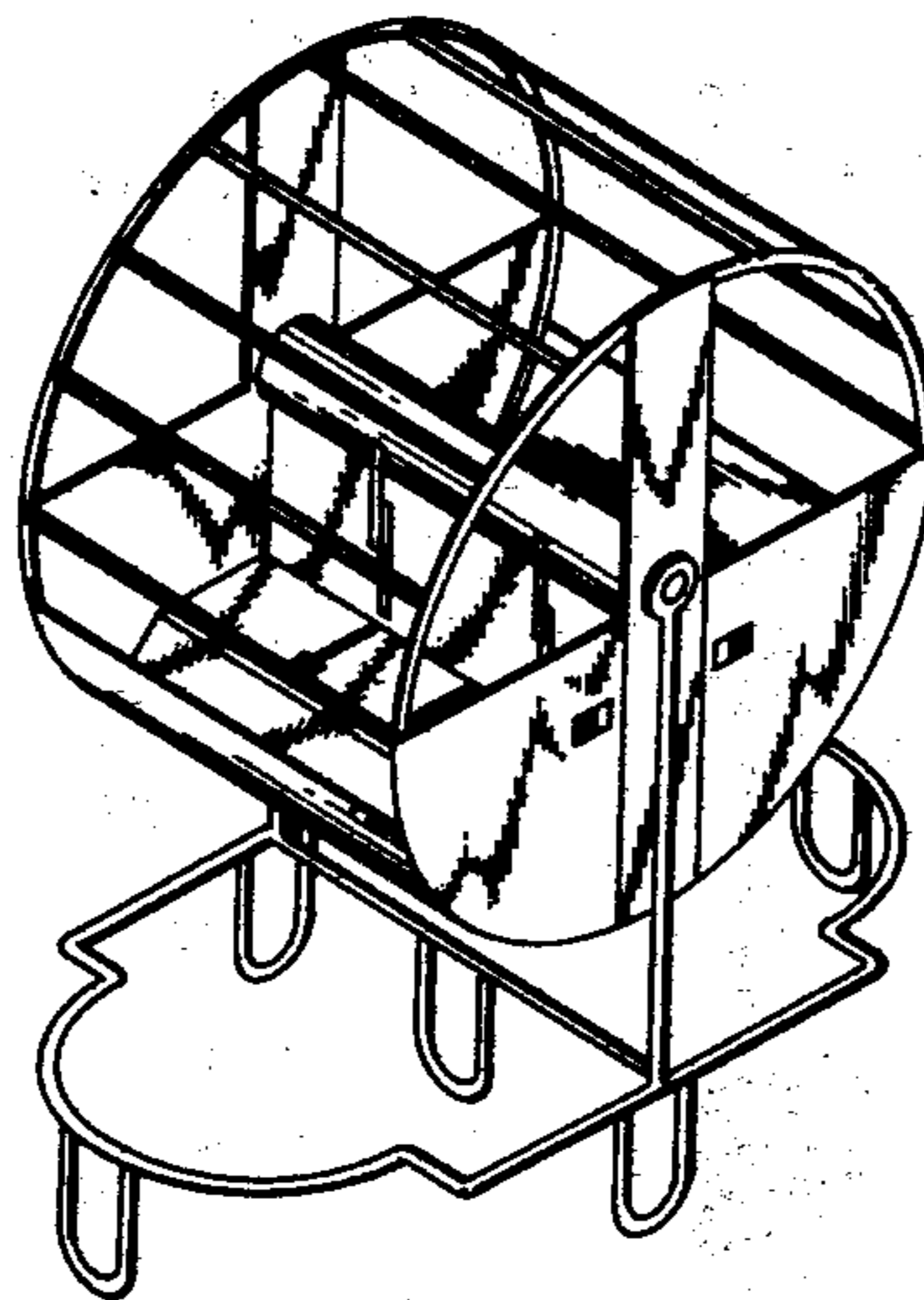
Primary Examiner—Melvin B. Feifer
Attorney, Agent, or Firm—Don Ferrell

[57] CLAIM

The ornamental design for playground rotating swing, as shown and described.

DESCRIPTION

FIG. 1 is a perspective view of a playground rotating swing showing my new design; FIG. 2 is a side elevation view thereof; FIG. 3 is an end elevation view thereof; FIG. 4 is a top plan view thereof; and FIG. 5 is a bottom plan view thereof.



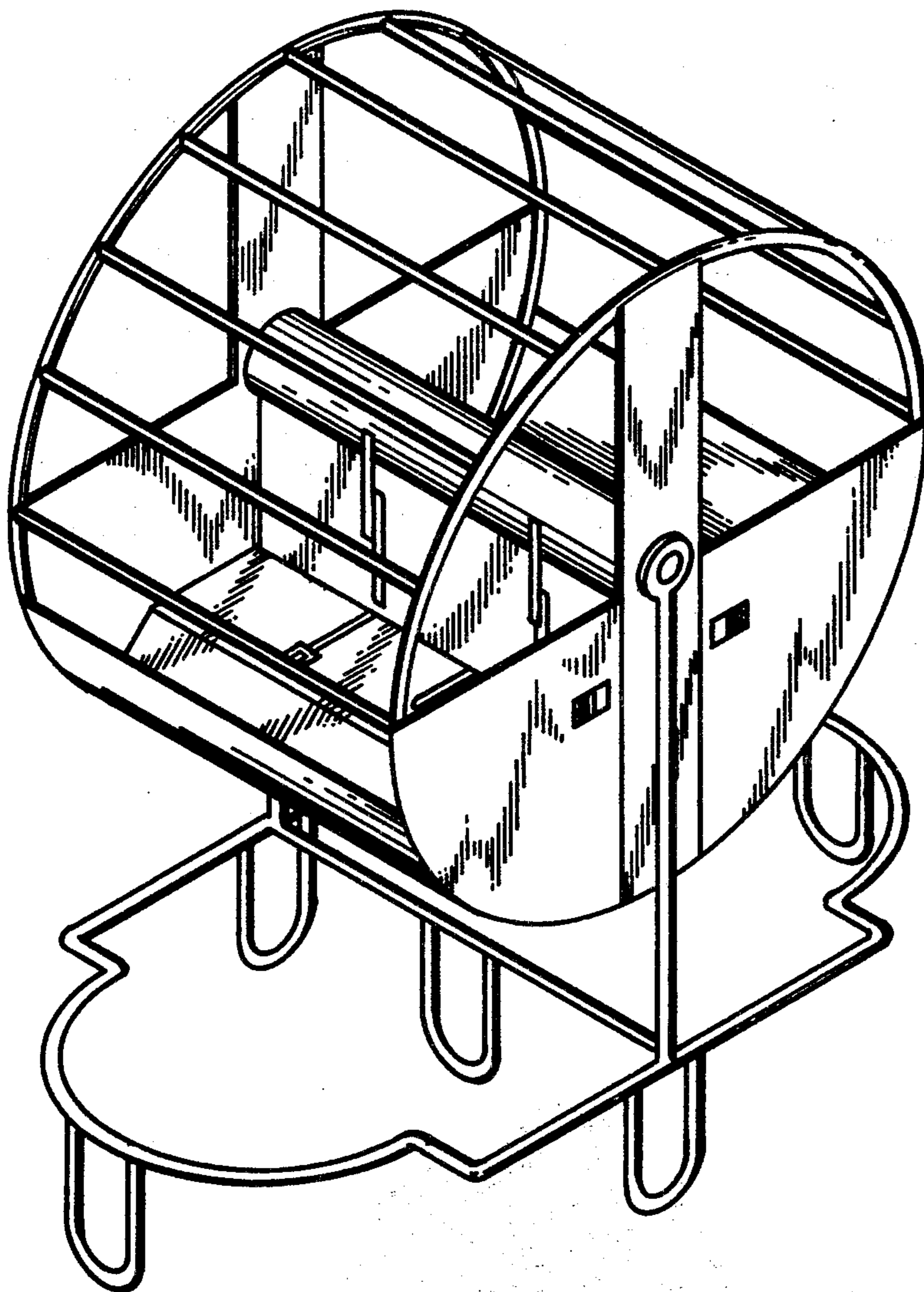


Fig. 1

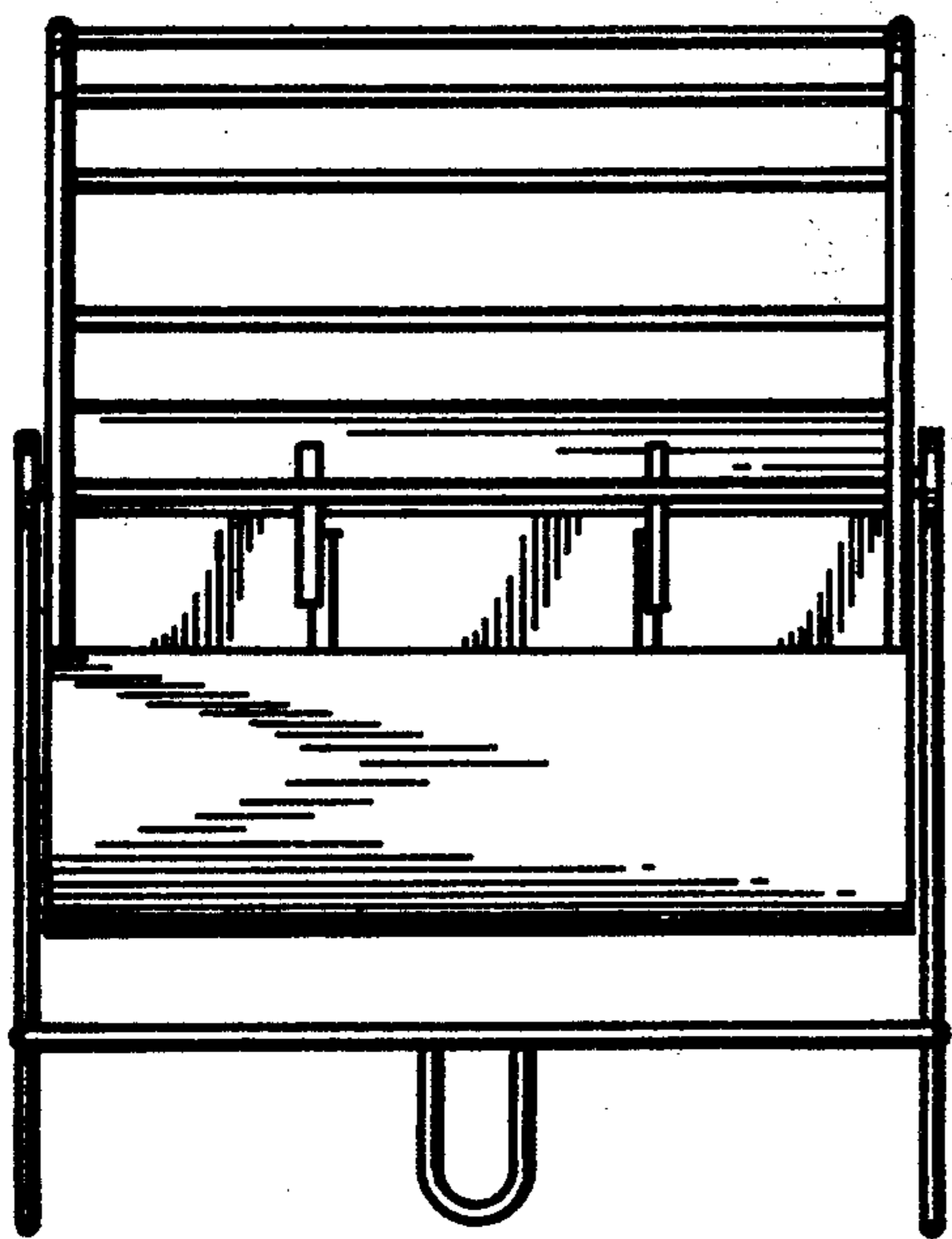


Fig. 2

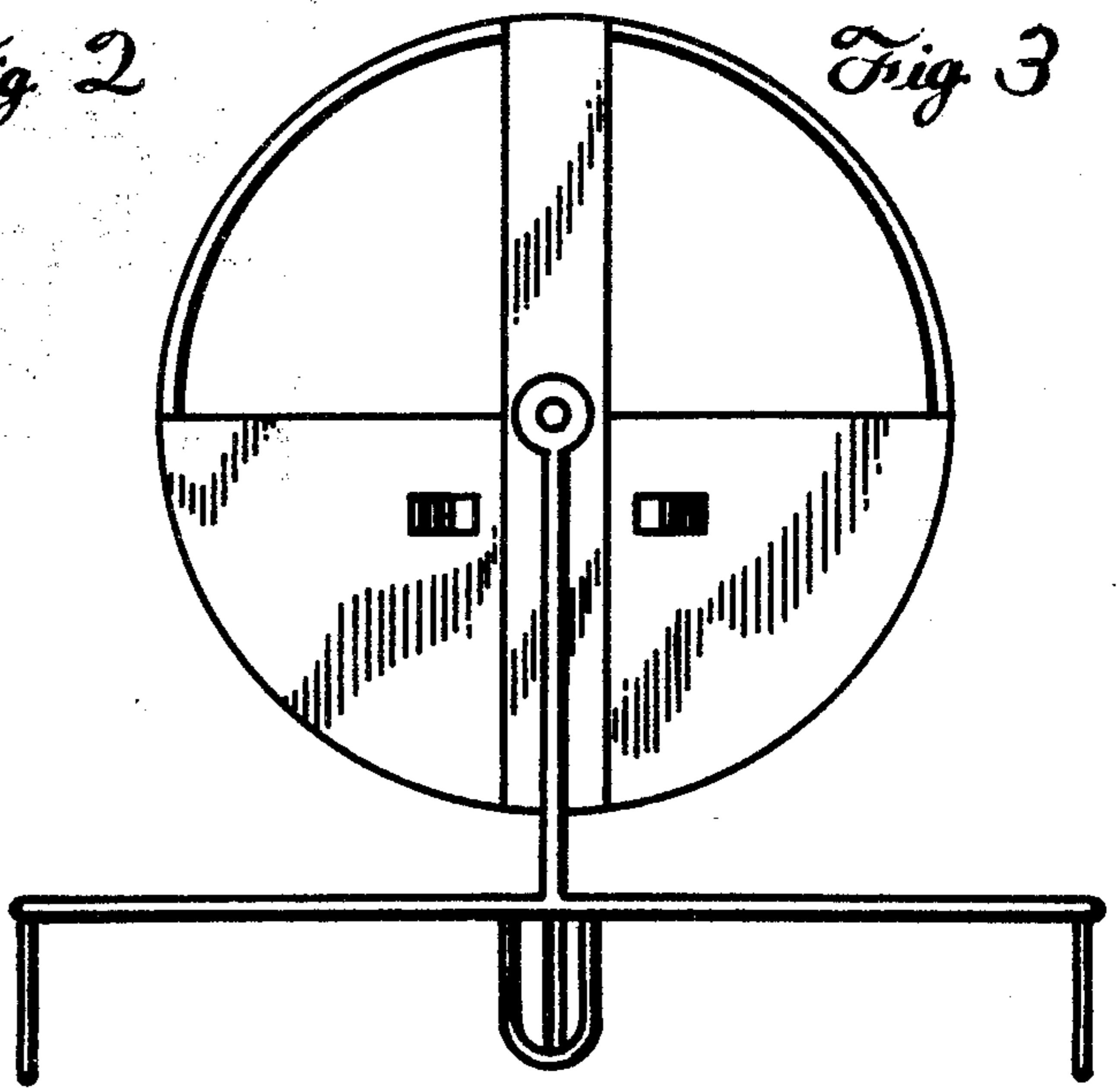


Fig. 3

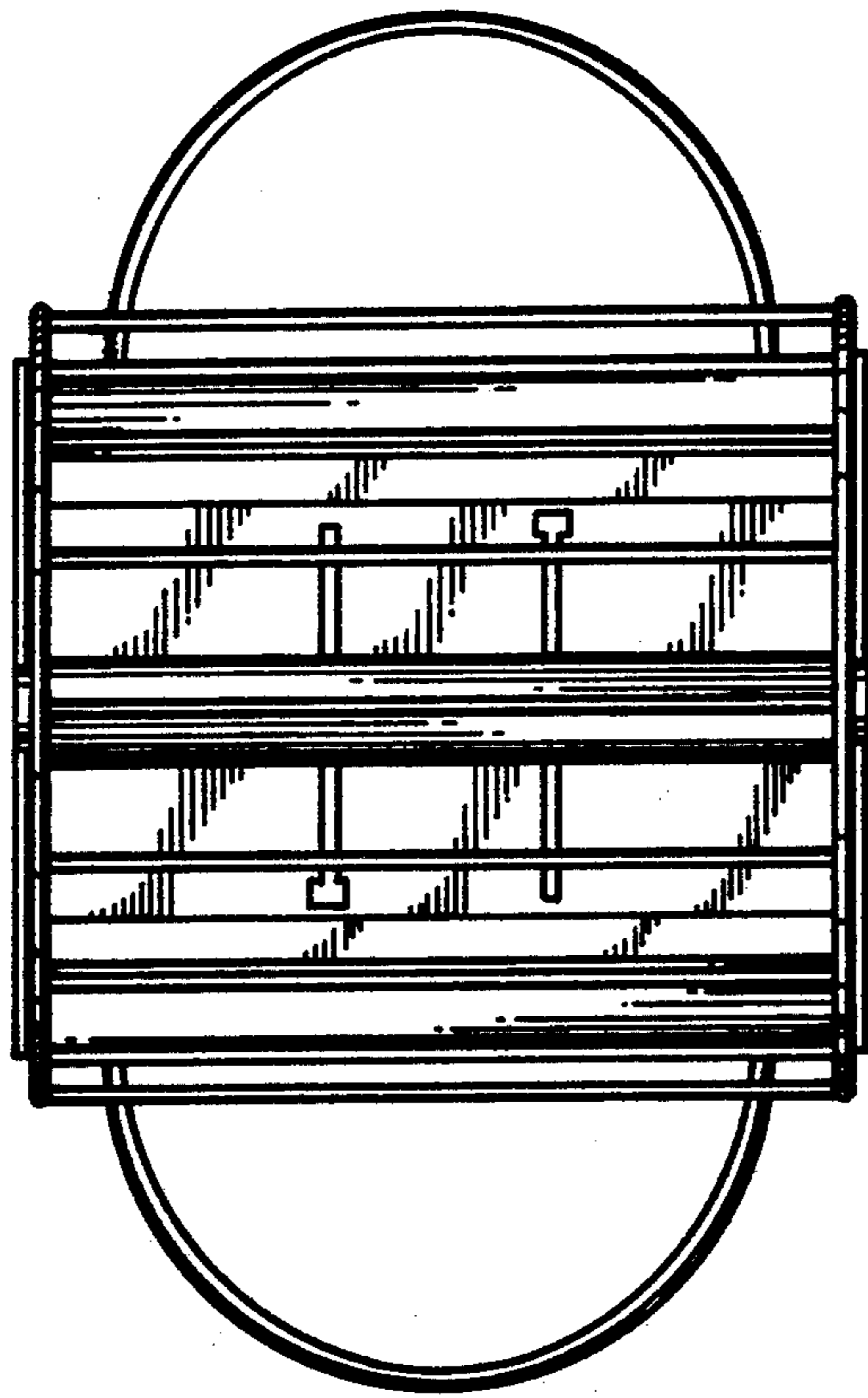


Fig. 4

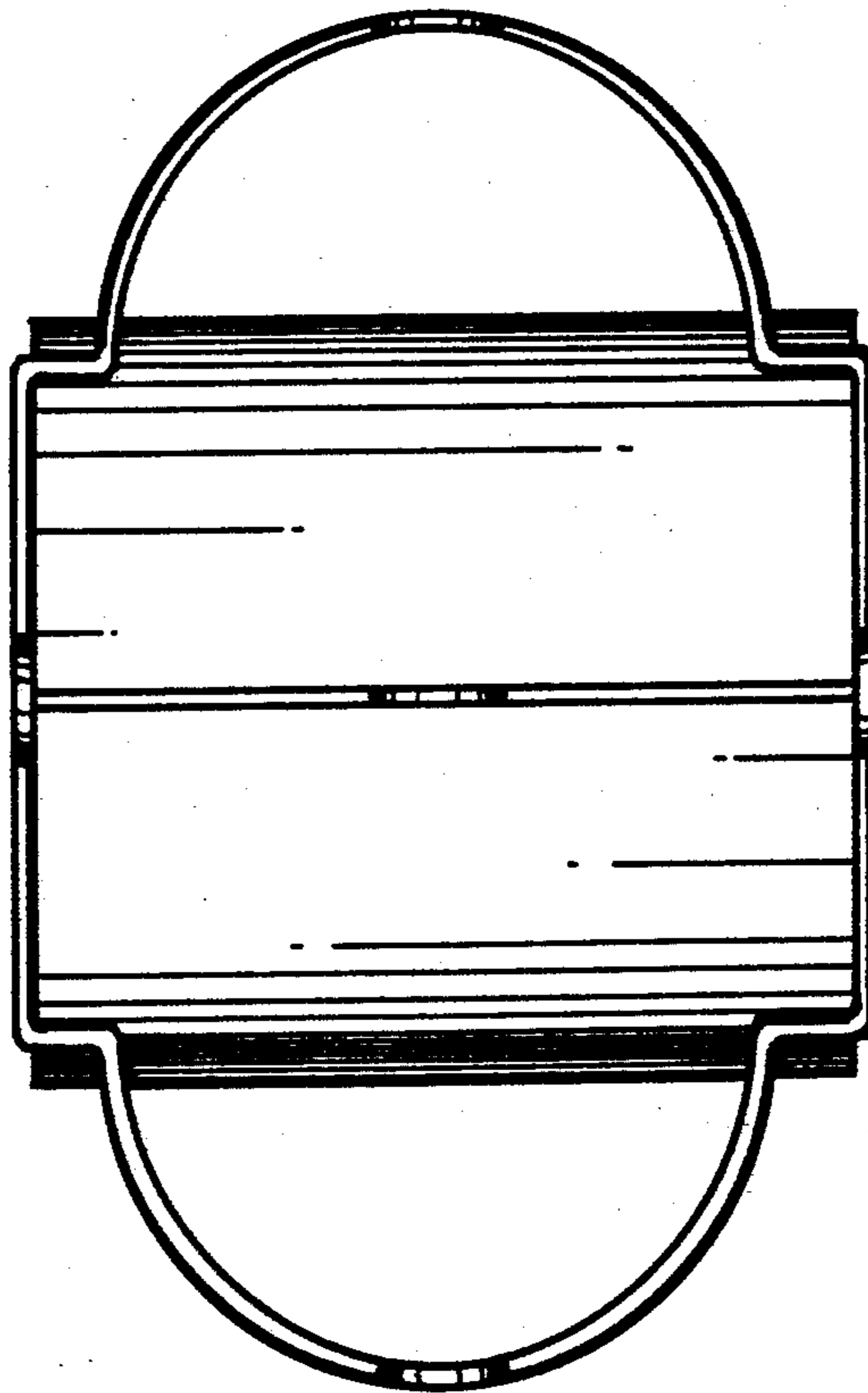


Fig. 5