

[54] **PORTABLE STAND FOR A VOLLEYBALL NET OR THE LIKE**

[76] **Inventor: Amos N. Bender, Rte. One, Cumberland, Wis. 54829**

[**] **Term: 14 Years**

[21] **Appl. No.: 859,211**

[22] **Filed: May 1, 1986**

[52] **U.S. Cl. D21/199**

[58] **Field of Search D21/199; 273/411, 29 B, 273/29 BB**

[56] **References Cited**

U.S. PATENT DOCUMENTS

4,030,733 6/1977 Merrihew et al. 273/29 BB
4,135,716 1/1979 Ginsburg 273/411

FOREIGN PATENT DOCUMENTS

2644376 4/1978 Fed. Rep. of Germany ... 273/29 BB
613623 10/1979 Switzerland 273/29 B
403184 12/1933 United Kingdom 273/29 BB

Primary Examiner—Melvin B. Feifer
Attorney, Agent, or Firm—Merchant, Gould, Smith, Edell, Welter & Schmidt

[57] **CLAIM**

The ornamental design for a portable stand for a volleyball net or the like, as shown and described.

DESCRIPTION

FIG. 1 is a perspective view generally viewed from above of a portable stand for a volleyball net or the like showing my design;

FIG. 2 is a top plan view of my design disclosed in FIG. 1;

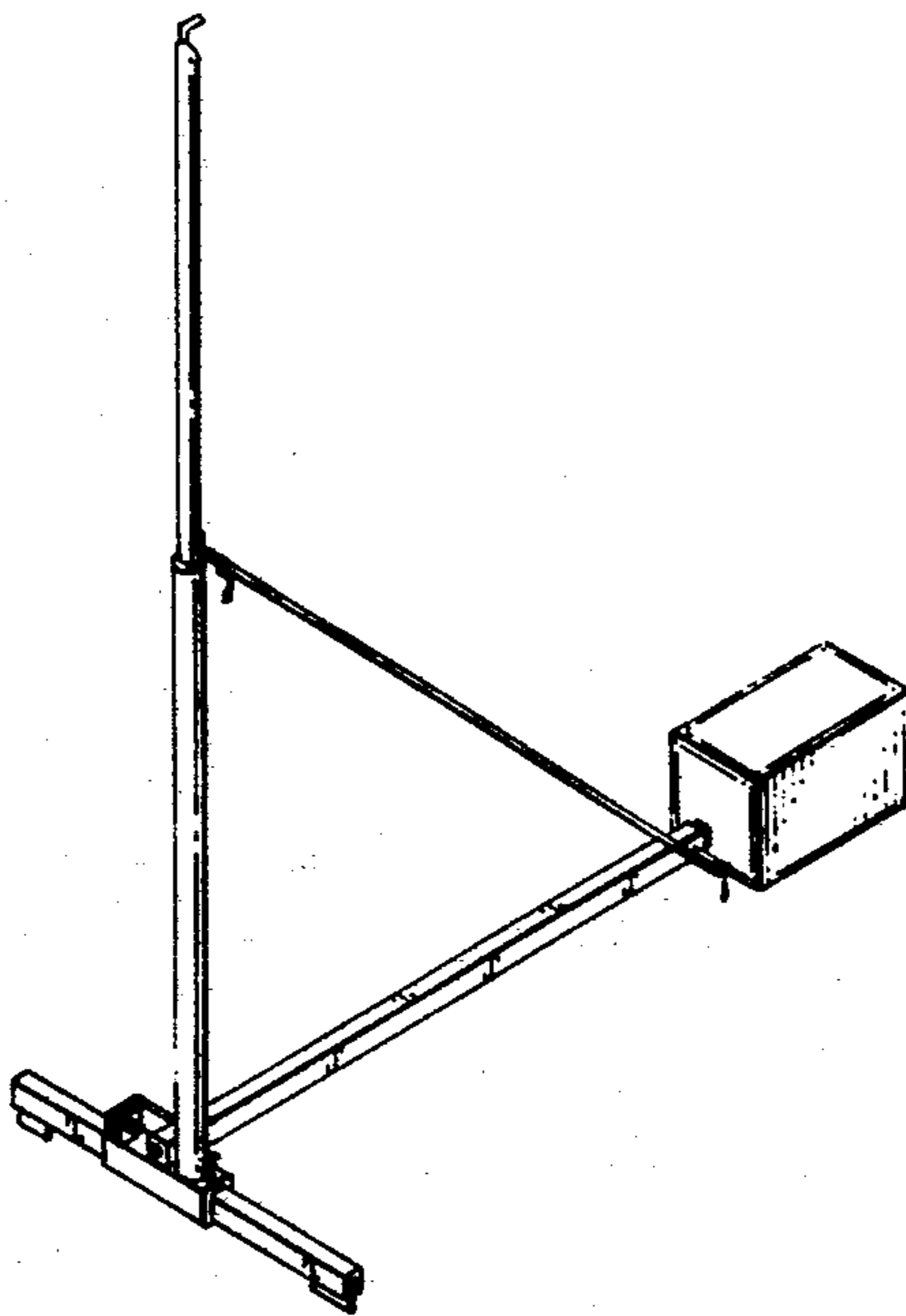
FIG. 3 is a bottom plan view of my design disclosed in FIG. 1;

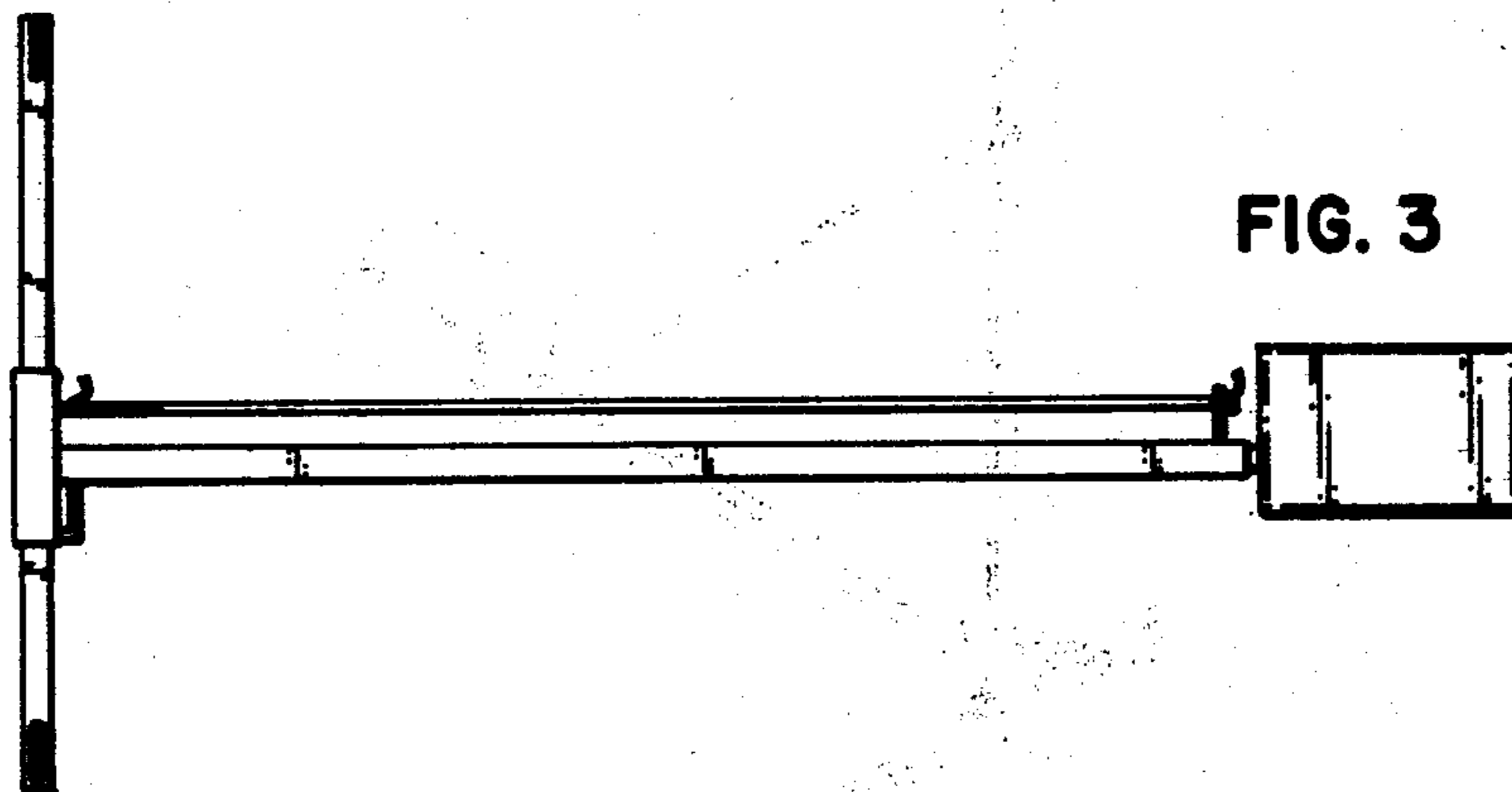
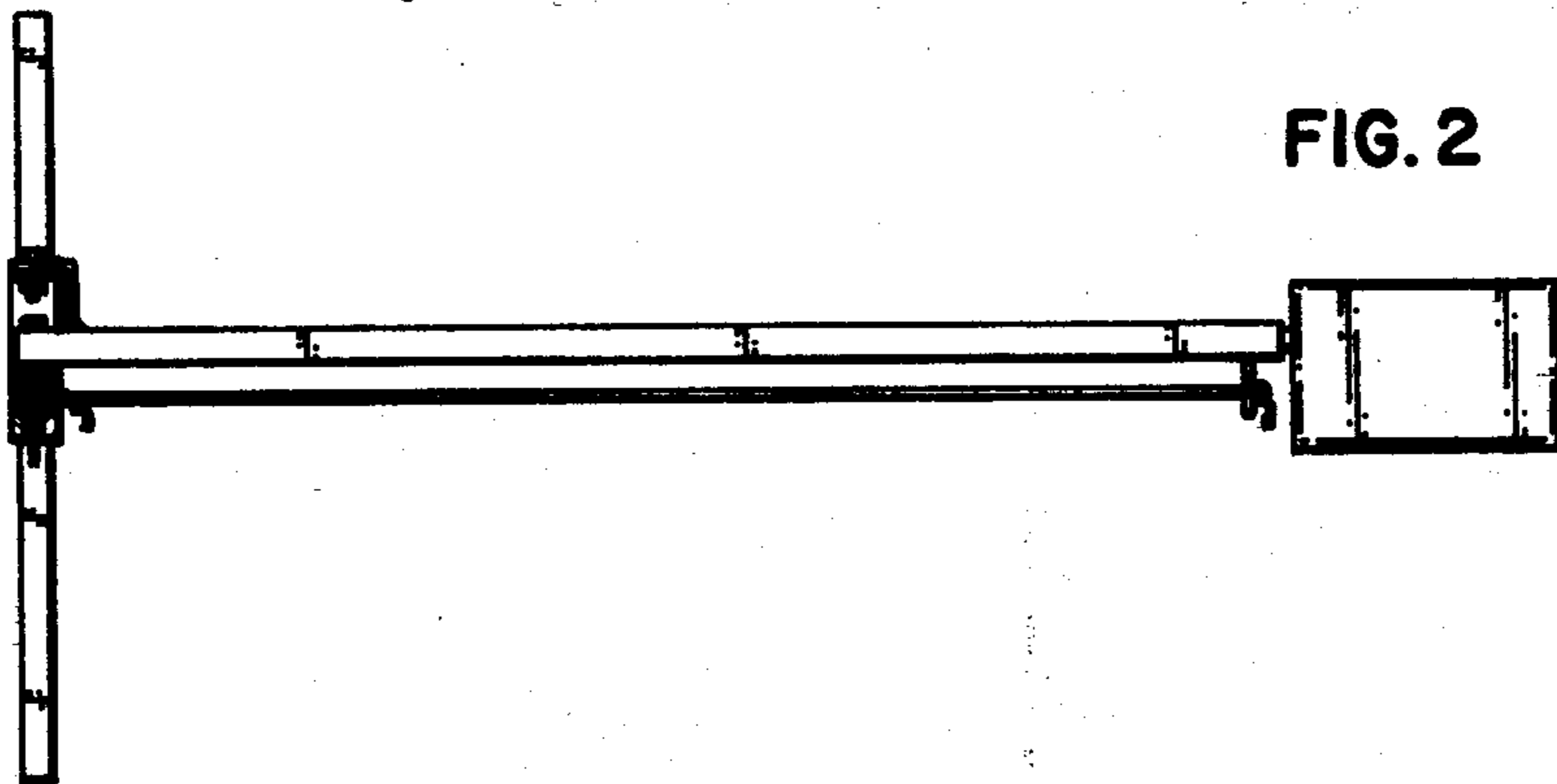
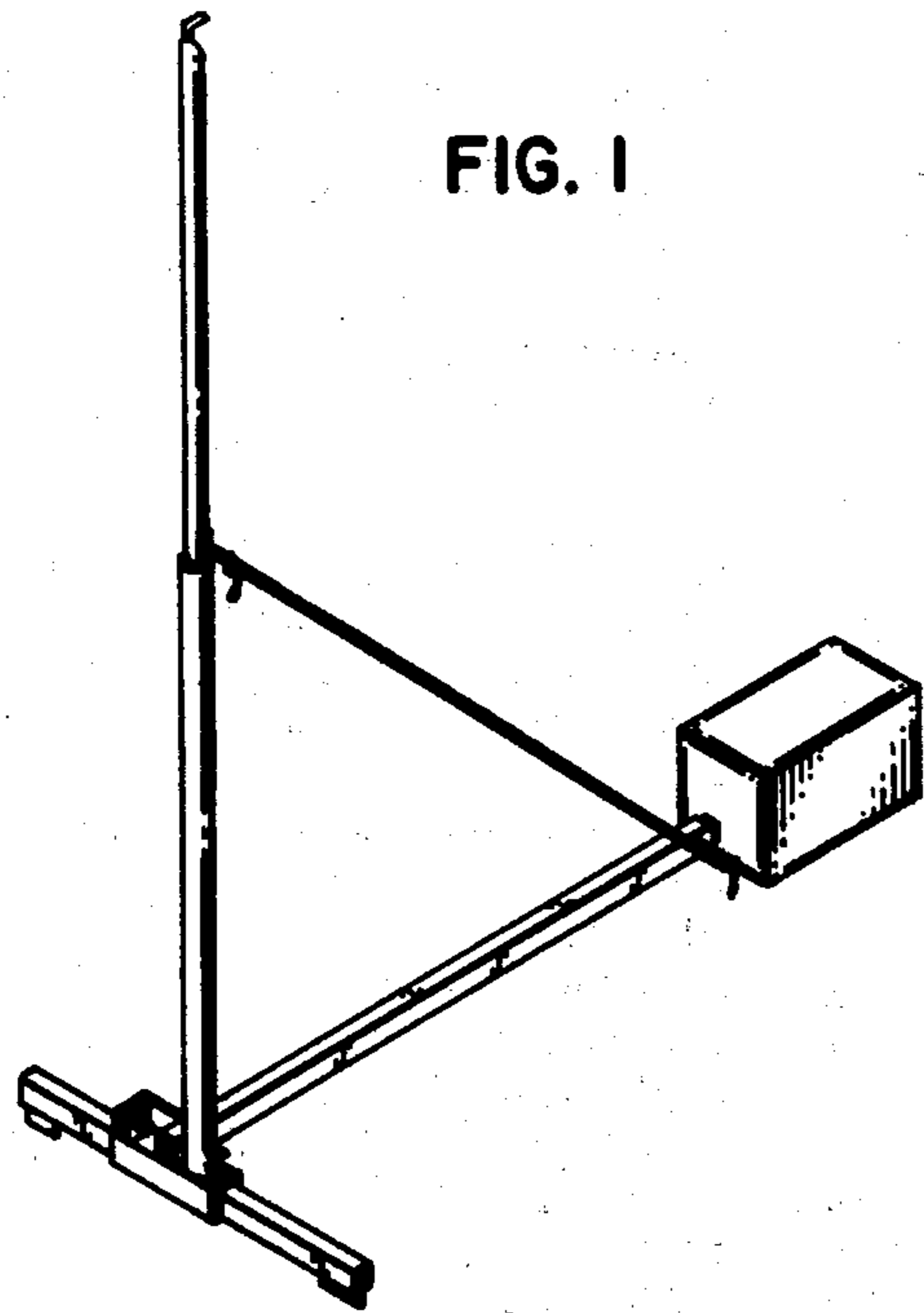
FIG. 4 is a left side elevational view of my design disclosed in FIG. 1;

FIG. 5 is a right side elevational view of my design disclosed in FIG. 1;

FIG. 6 is a front elevational view of my design disclosed in FIG. 1; and

FIG. 7 is a back elevational view of my design disclosed in FIG. 1.





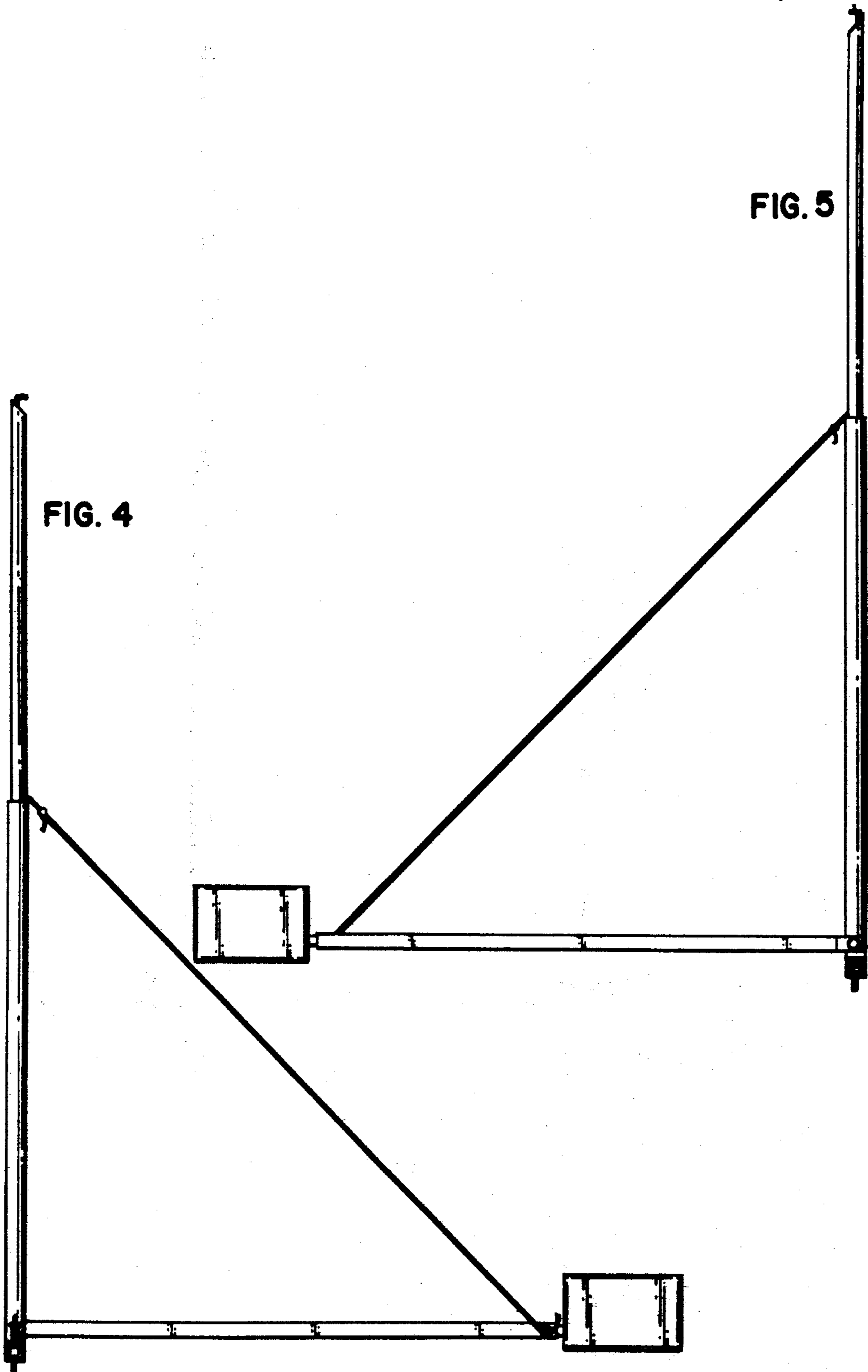


FIG. 4

FIG. 5

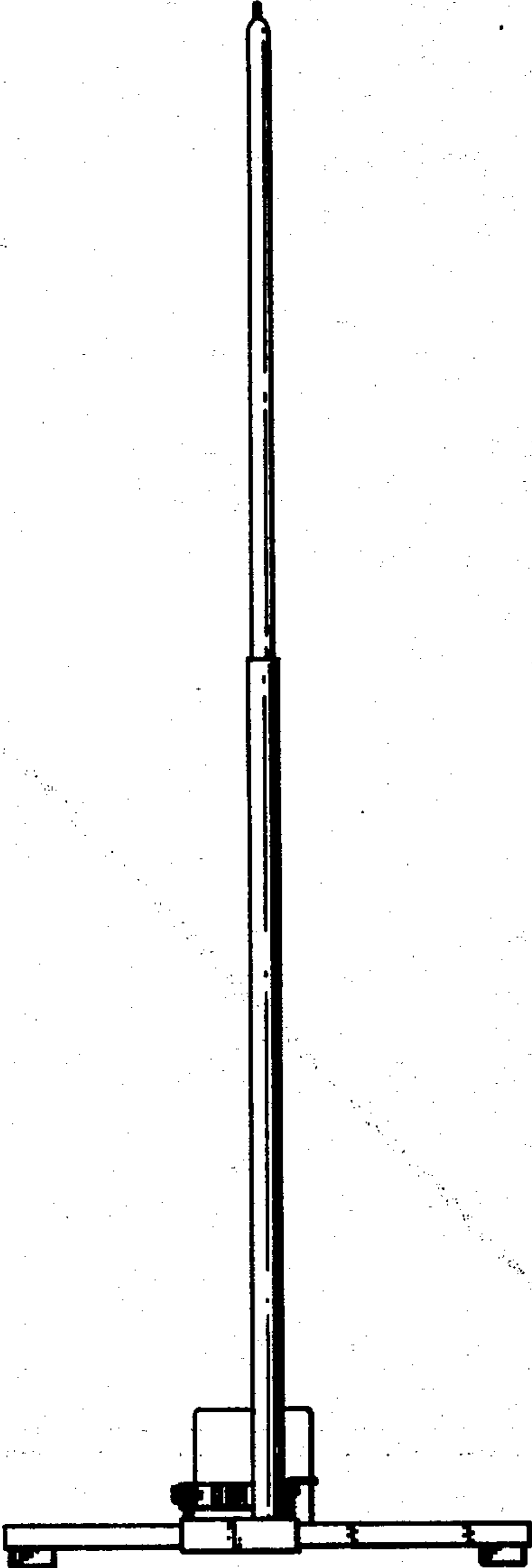


FIG. 6

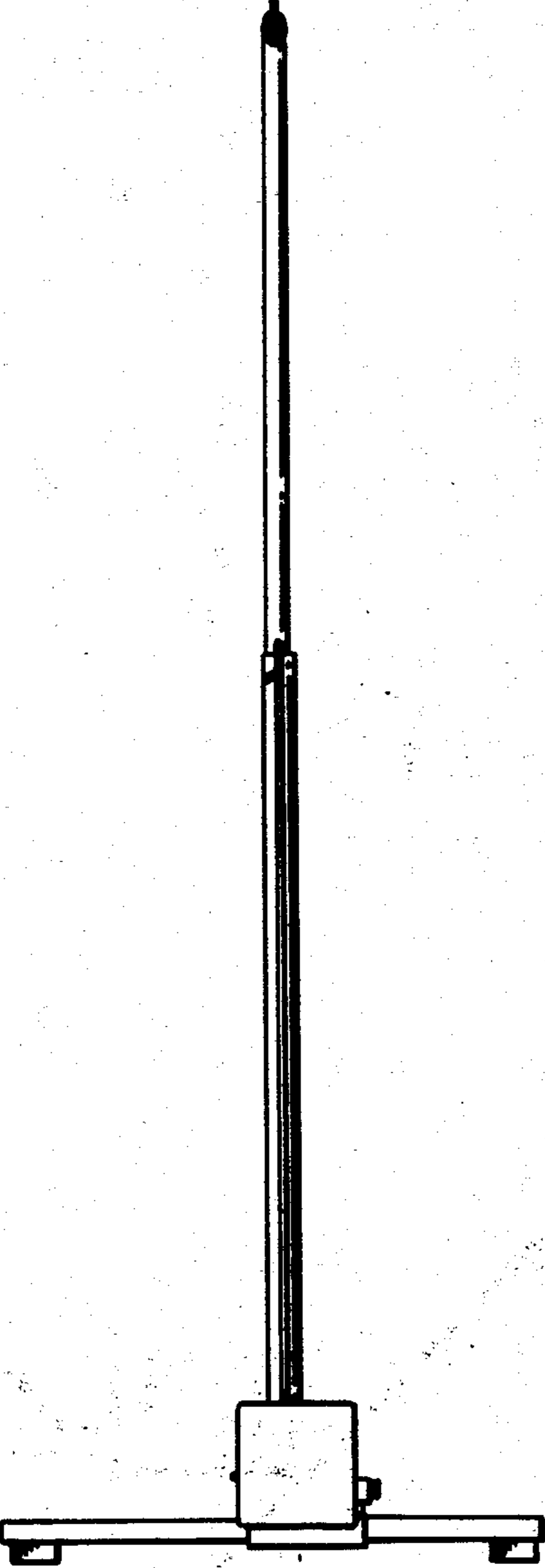


FIG. 7