

[54] **ROWING MACHINE**

4,488,719 12/1984 Brown 272/72

[76] **Inventor: Jerry D. Brentham, P.O. Box 599, Belton, Tex. 76513**

[**] **Term: 14 Years**

[21] **Appl. No.: 688,606**

[22] **Filed: Jan. 3, 1985**

[52] **U.S. Cl. D21/195**

[58] **Field of Search D21/191, 195, 198; 272/72, 143, 134, 144, 145**

[56] **References Cited**

U.S. PATENT DOCUMENTS

- D. 218,624 9/1970 Margolies D21/195
- D. 265,110 6/1982 Lafont D21/195
- D. 277,219 1/1985 Johnson D21/191

OTHER PUBLICATIONS

M & R Industries Flier, "Avita 850", Aerobic Rower.
Amerec flier, "Amerec 610", Aerobic Rower.

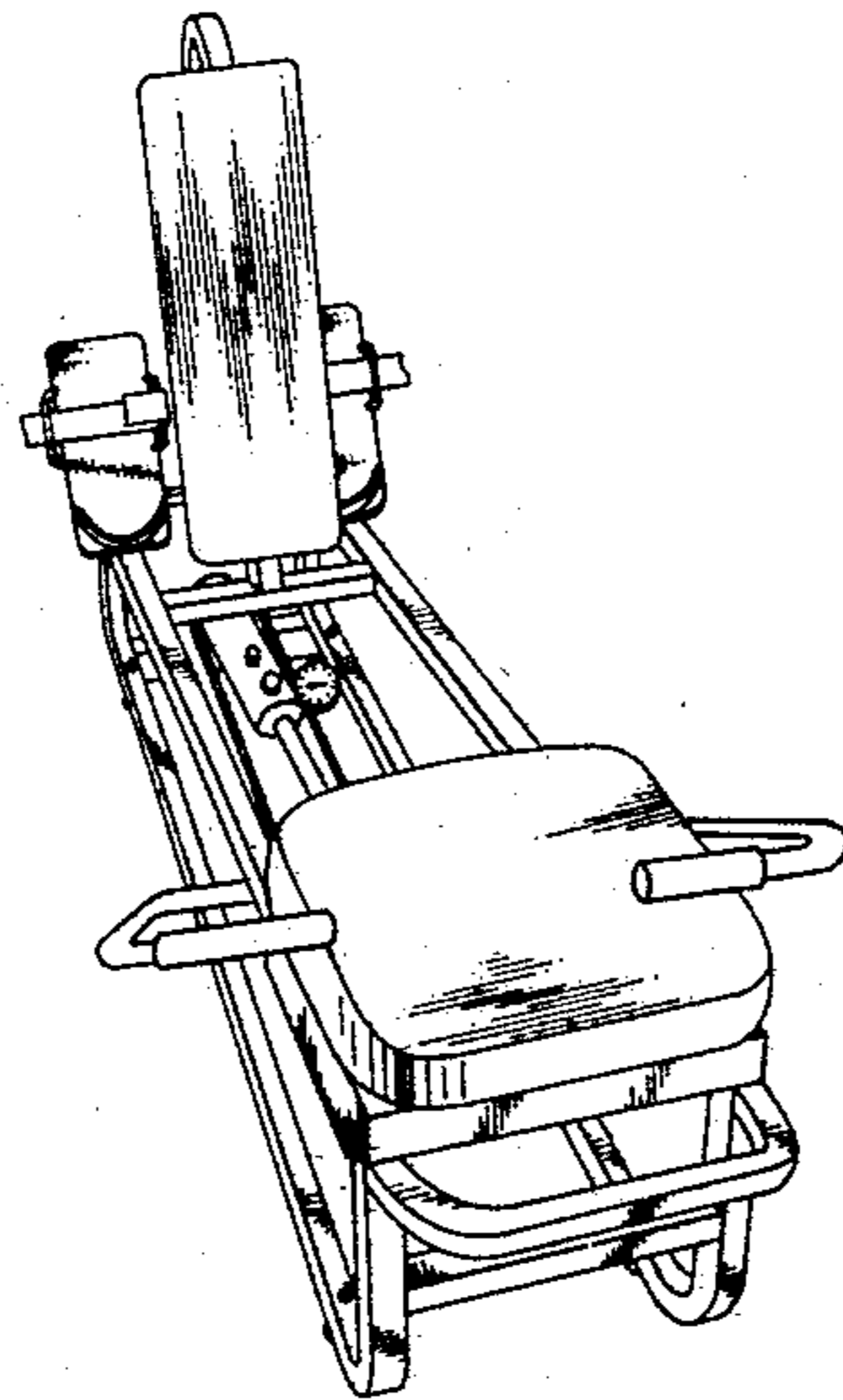
Primary Examiner—Charles A. Rademaker
Attorney, Agent, or Firm—Crutsinger & Booth

[57] **CLAIM**

The ornamental design for a rowing machine, as shown and described.

DESCRIPTION

FIG. 1 is a left front perspective view of a rowing machine showing my new design;
FIG. 2 is a rear perspective view thereof;
FIG. 3 is a right side perspective view thereof; and,
FIG. 4 is a bottom plan view thereof.



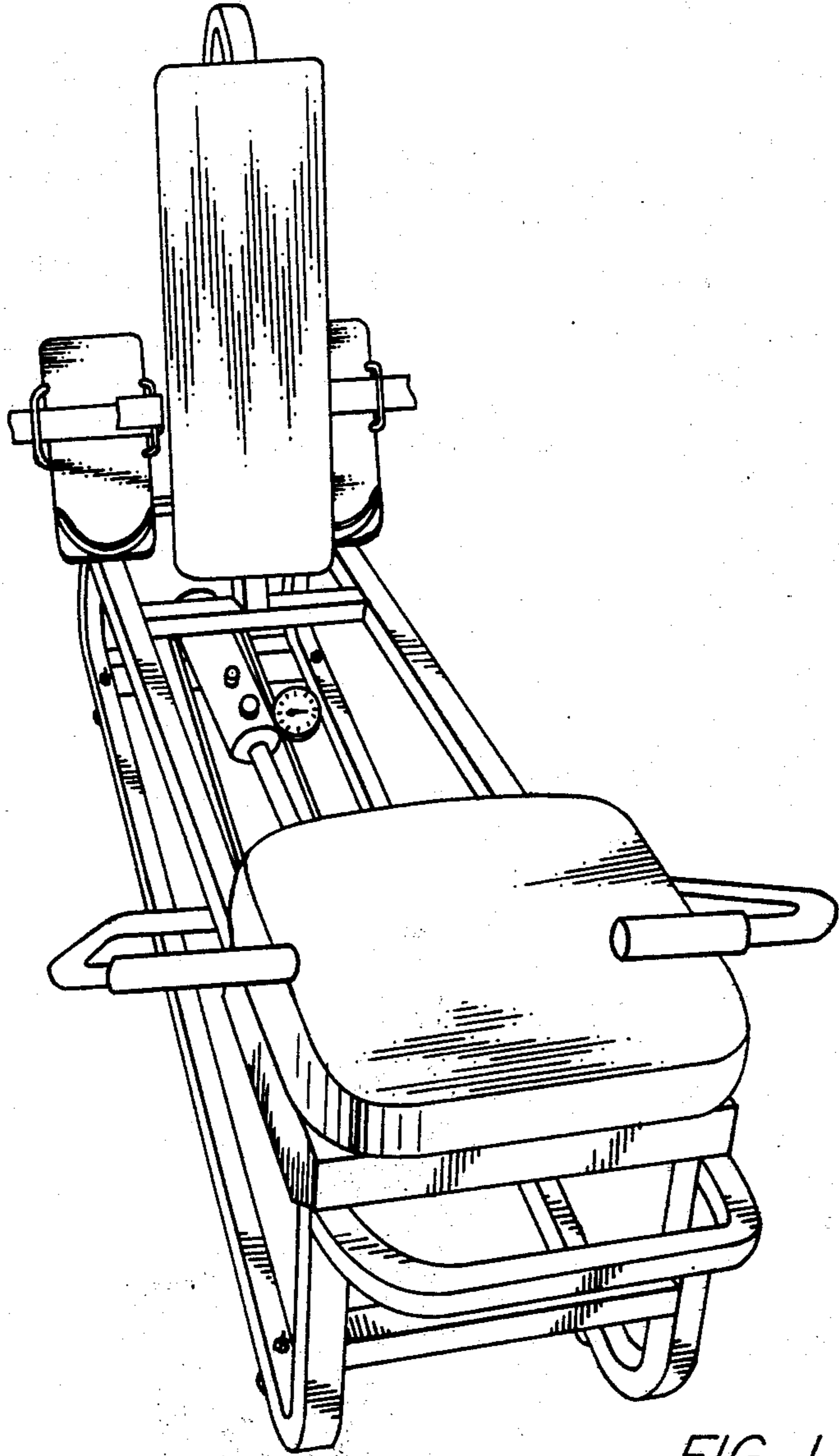


FIG. 1

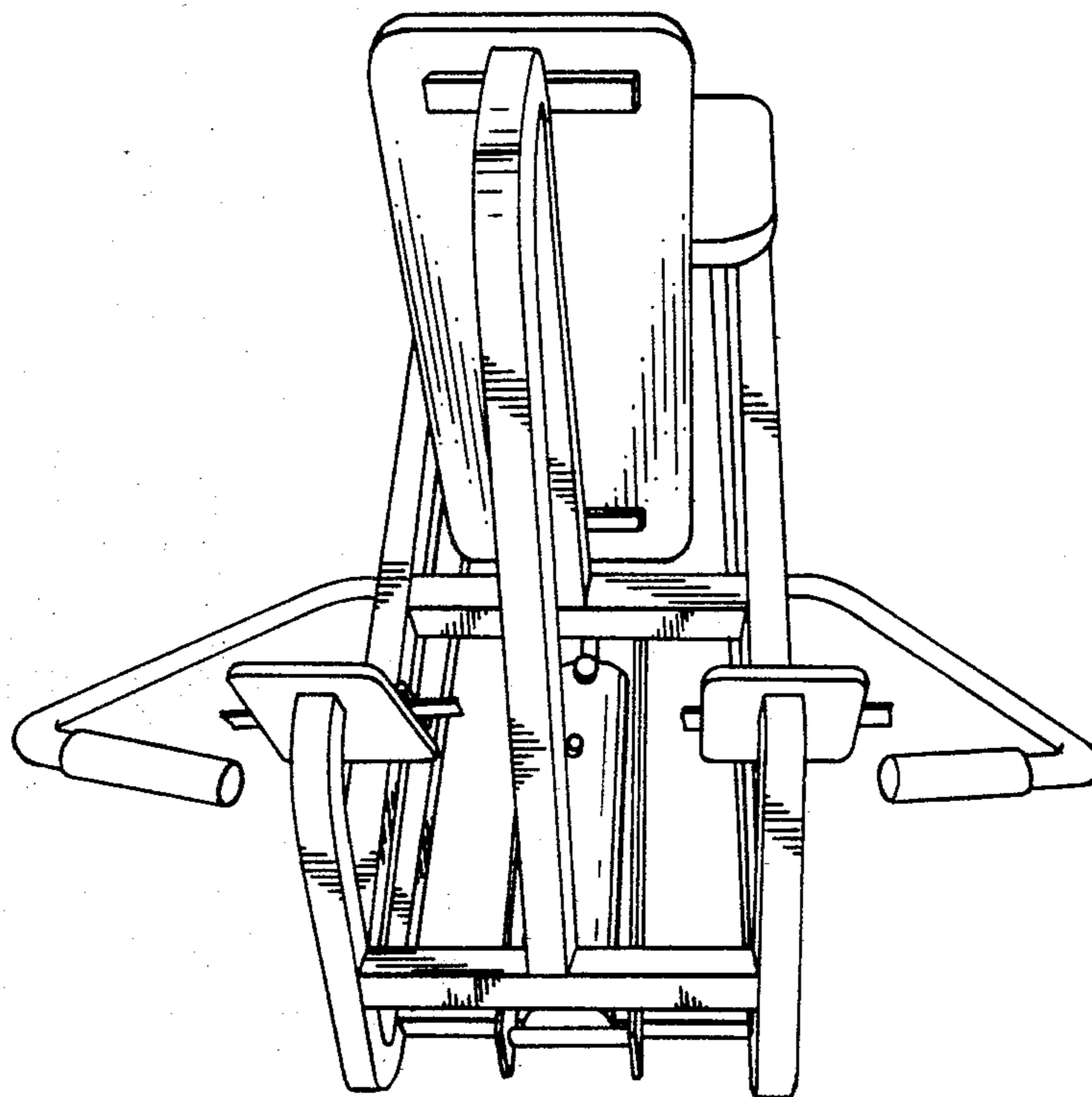


FIG. 2

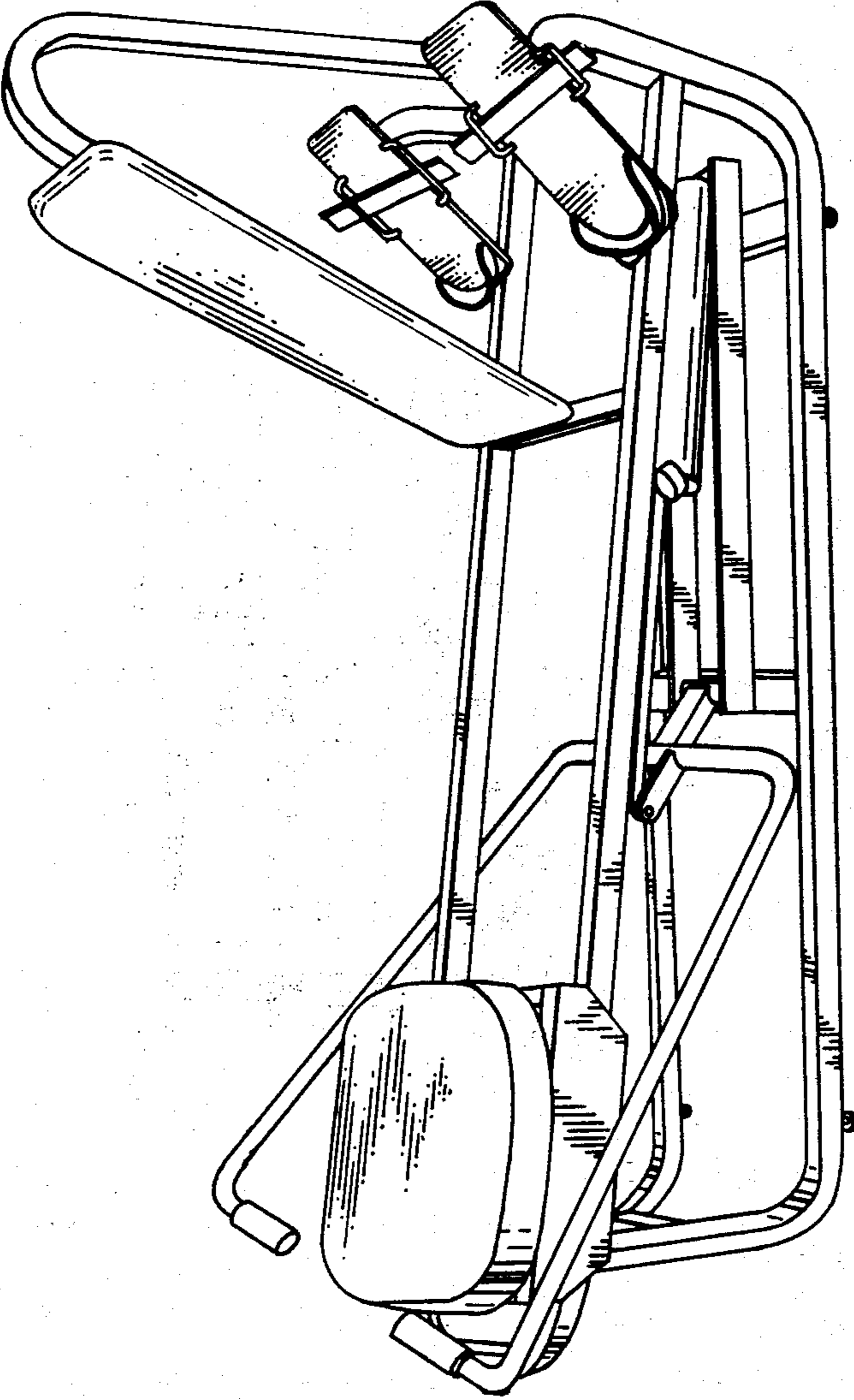


FIG. 3

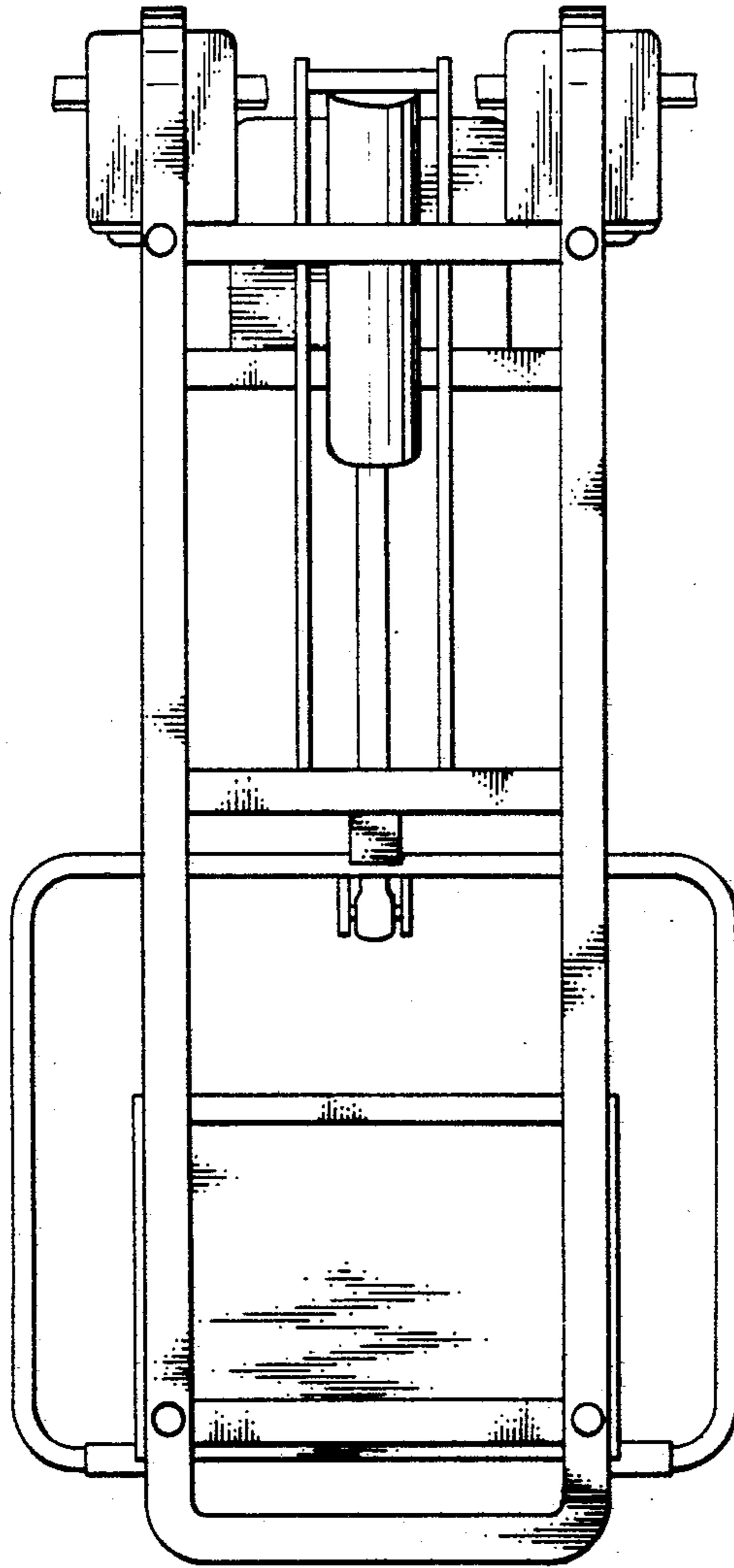


FIG. 4