

[54] **RECONFIGURABLE TOY**

[75] Inventor: **Kouzin Ohno**, Tokyo, Japan

[73] Assignee: **Takara Co., Ltd.**, Tokyo, Japan

[\*\*] Term: **14 Years**

[21] Appl. No.: **696,640**

[22] Filed: **Jan. 30, 1985**

[30] **Foreign Application Priority Data**

Jan. 14, 1985 [JP] Japan ..... 60-537

[52] U.S. Cl. .... **D21/150; D21/87;**  
  **D21/129; D21/166**

[58] Field of Search ..... **D21/87, 82, 128, 129,**  
  **D21/132, 134, 136, 150, 166; 446/71, 72, 76, 77,**  
  **94, 97, 383, 381, 487**

[56] **References Cited**

**U.S. PATENT DOCUMENTS**

- D. 205,187 7/1966 Thompson ..... D21/129
- D. 219,042 10/1970 King et al. .... D21/87
- D. 219,294 11/1970 Rosenthal ..... D21/87
- D. 278,643 4/1985 Ogawa ..... D21/150
- D. 279,305 6/1985 Murakami ..... D21/129
- D. 279,804 7/1985 Ohno ..... D21/150
- D. 285,589 9/1986 Matsushiro ..... D21/150

*Primary Examiner*—Charles A. Rademaker  
*Attorney, Agent, or Firm*—Price, Gess & Ubell

[57] **CLAIM**

The ornamental design for a reconfigurable toy, substantially as shown and described.

**DESCRIPTION**

FIG. 1 is a side perspective view of a reconfigurable toy showing my new design in a locomotive configuration; FIG. 2 is a front elevational view thereof; FIG. 3 is a left side elevational view thereof, the side opposite being a mirror image; FIG. 4 is a rear elevational view thereof; FIG. 5 is a top plan view thereof; FIG. 6 is a bottom plan view thereof; FIG. 7 is another perspective view of the design shown in FIGS. 1 through 6 in a rocket configuration; FIG. 8 is a front elevational view thereof; FIG. 9 is a right side elevational view thereof, the side opposite being a mirror image; FIG. 10 is a rear elevational view thereof; FIG. 11 is a top plan view thereof; FIG. 12 is a bottom plan view thereof; FIG. 13 is another side perspective view of the design shown in FIGS. 1 through 6 in a humanoid robot reconfiguration; FIG. 14 is a front elevational view thereof; FIG. 15 is a right side elevational view thereof, the side opposite being a mirror image; FIG. 16 is a rear elevational view thereof; FIG. 17 is a top plan view thereof; FIG. 18 is a bottom plan view thereof.

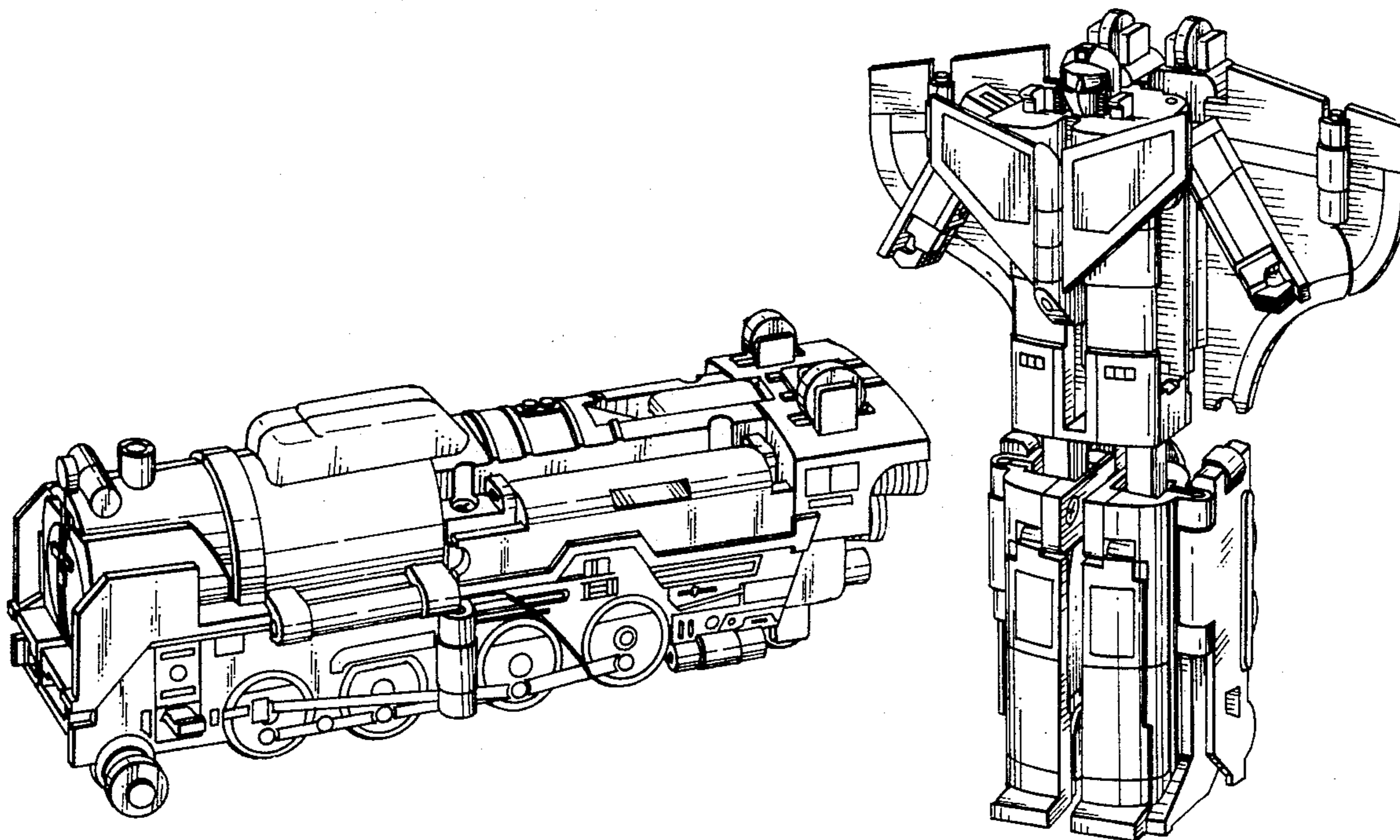


FIG. 1

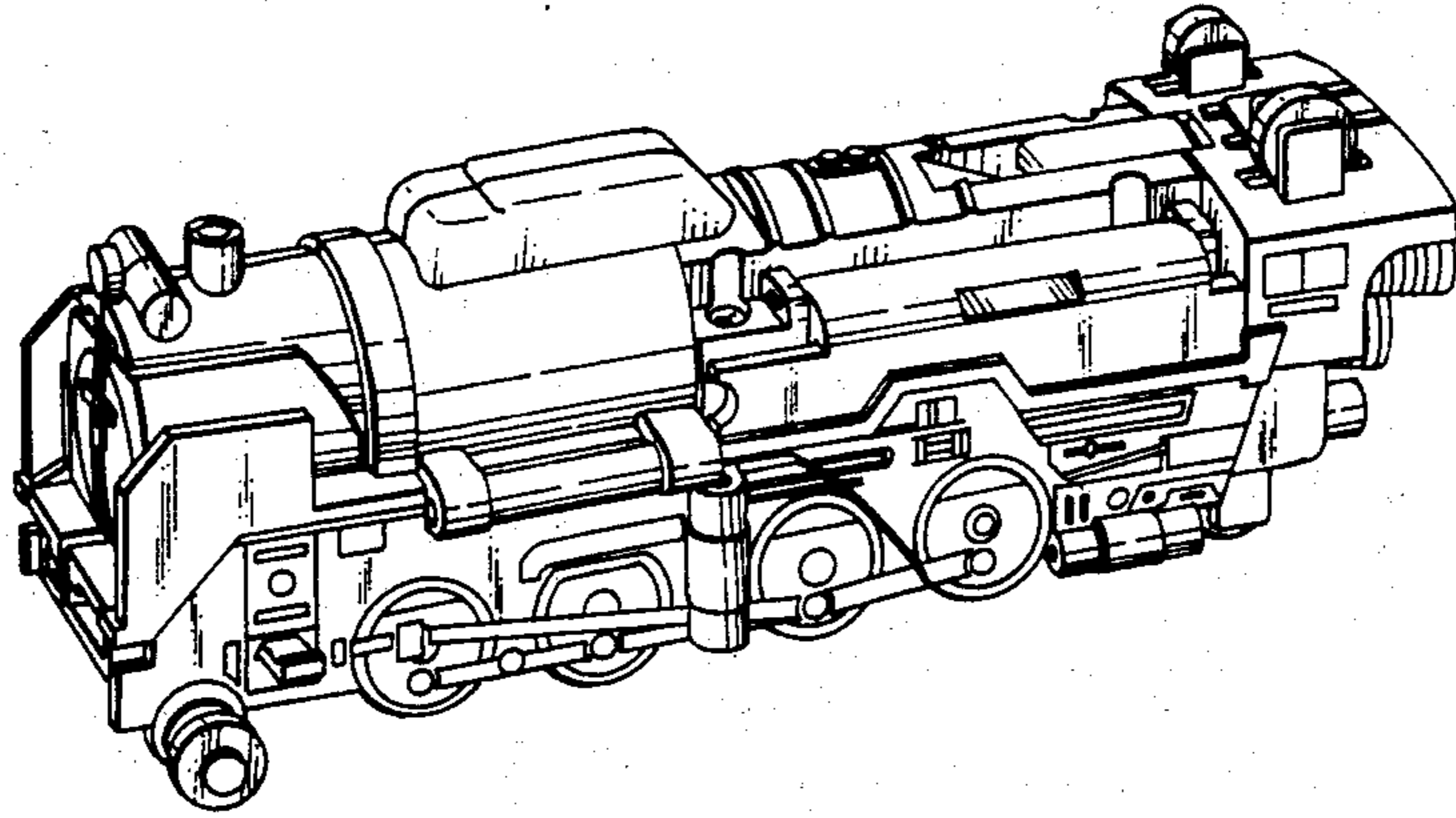


FIG. 2

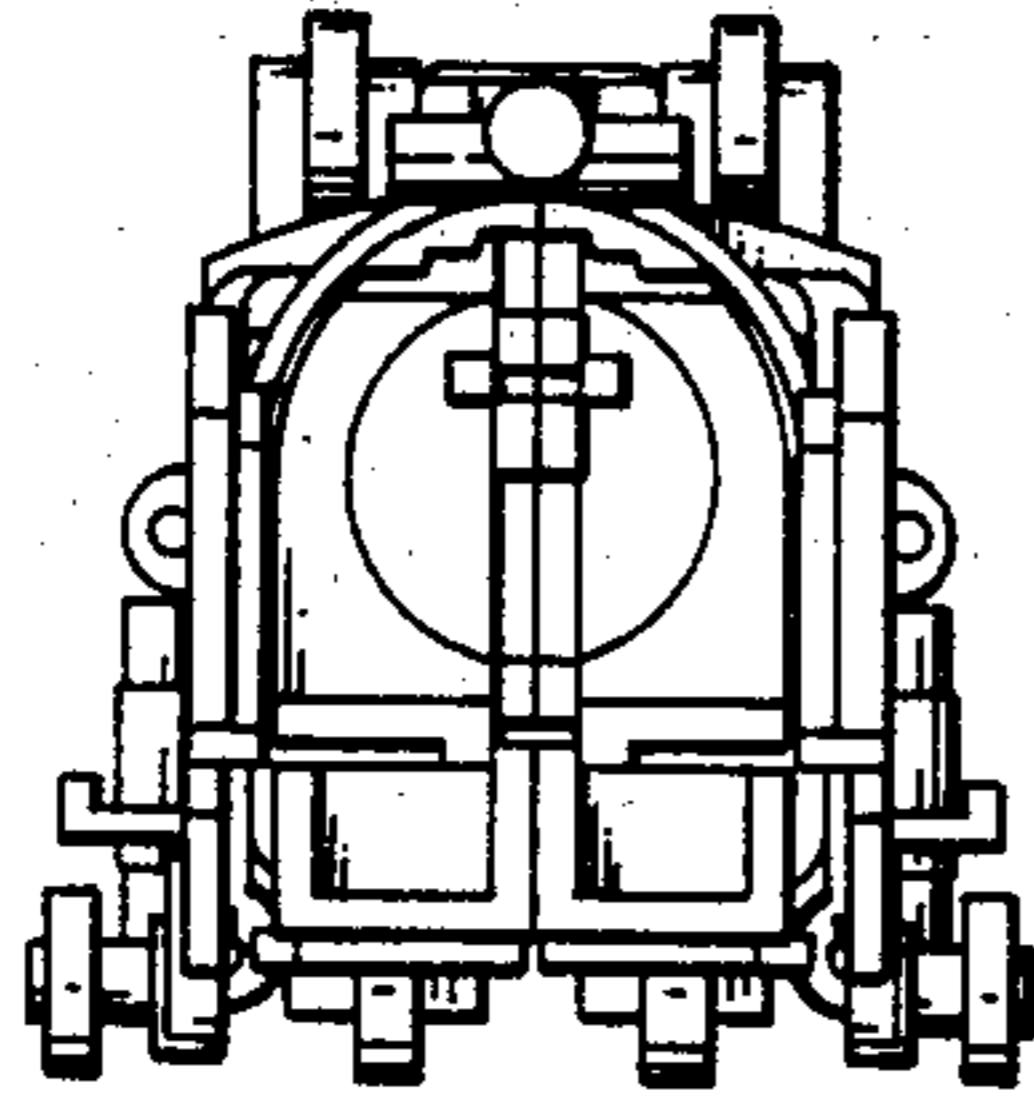


FIG. 4

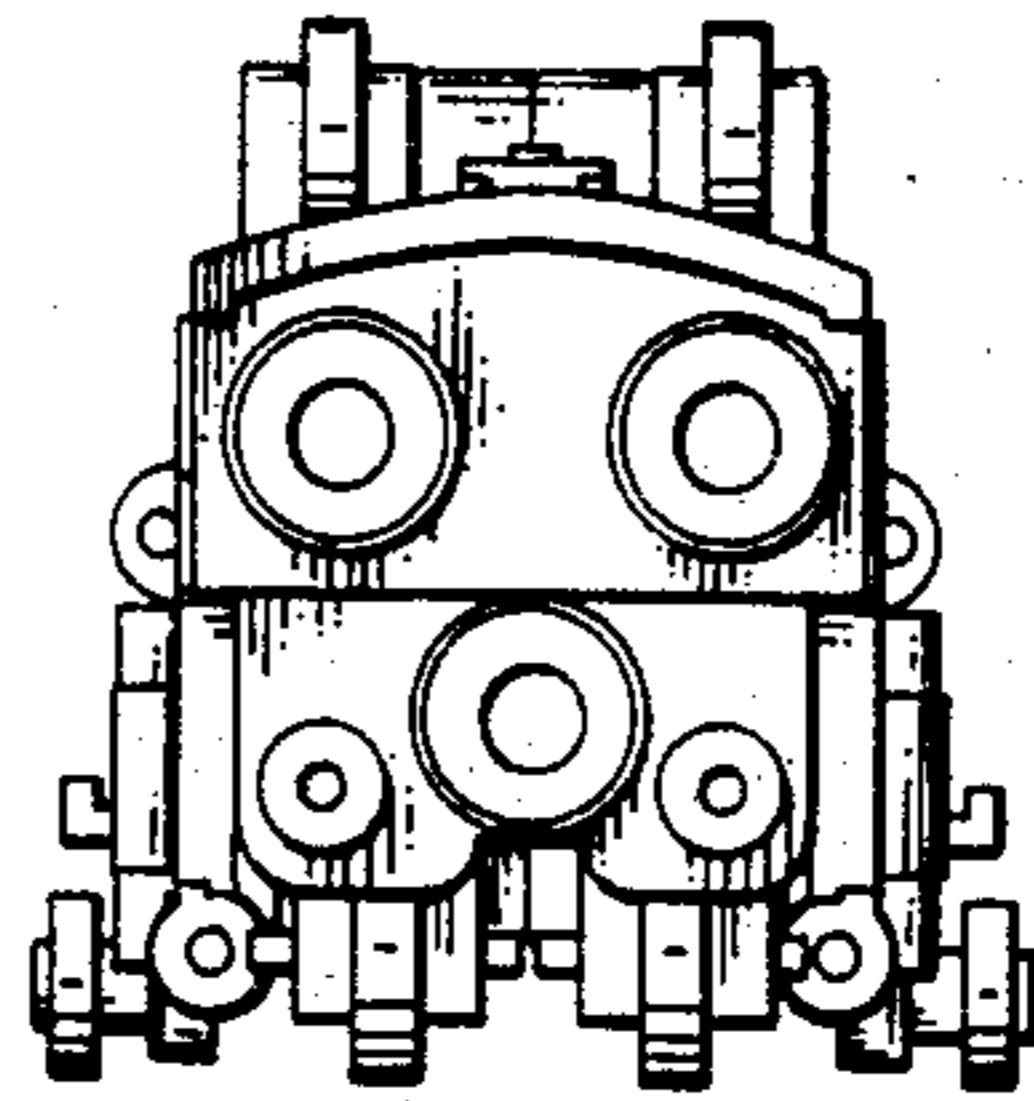


FIG. 3

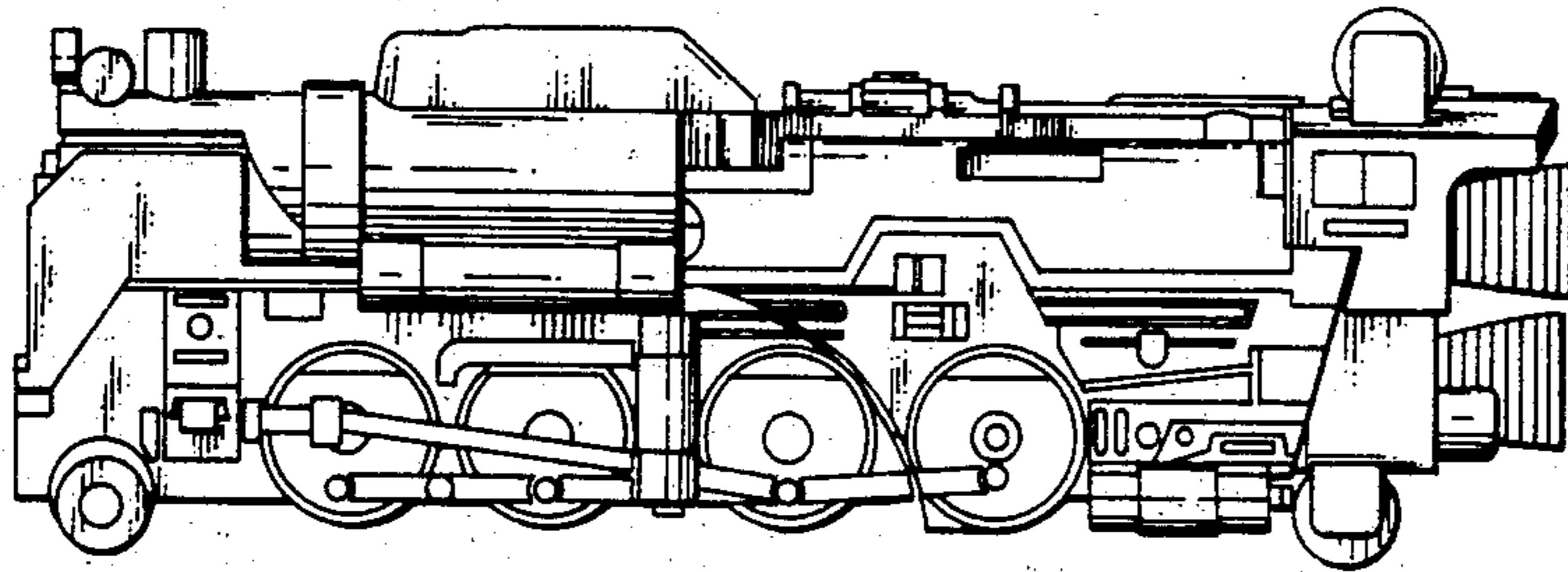


FIG. 5

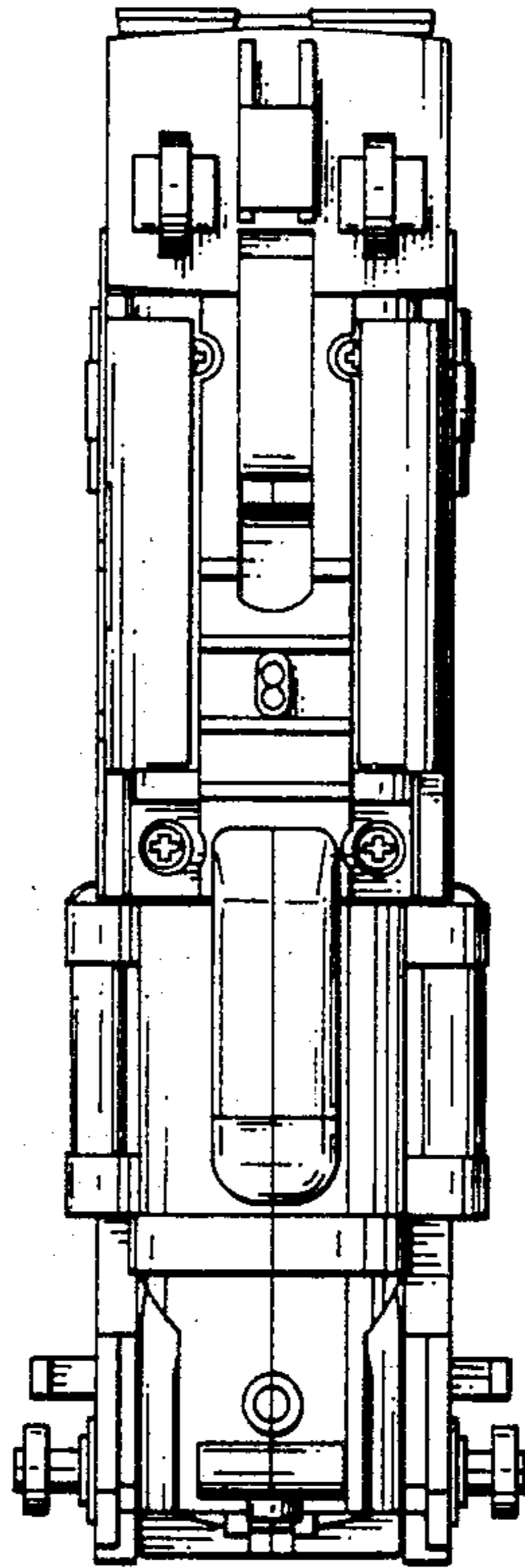


FIG. 6

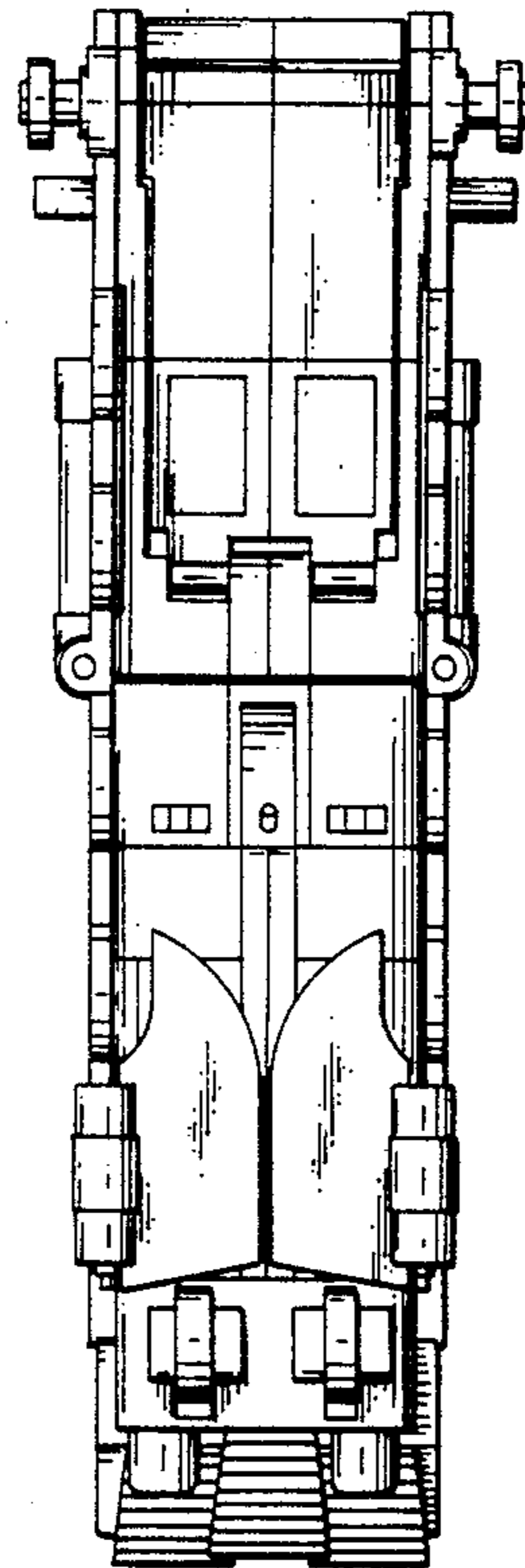




FIG. 7

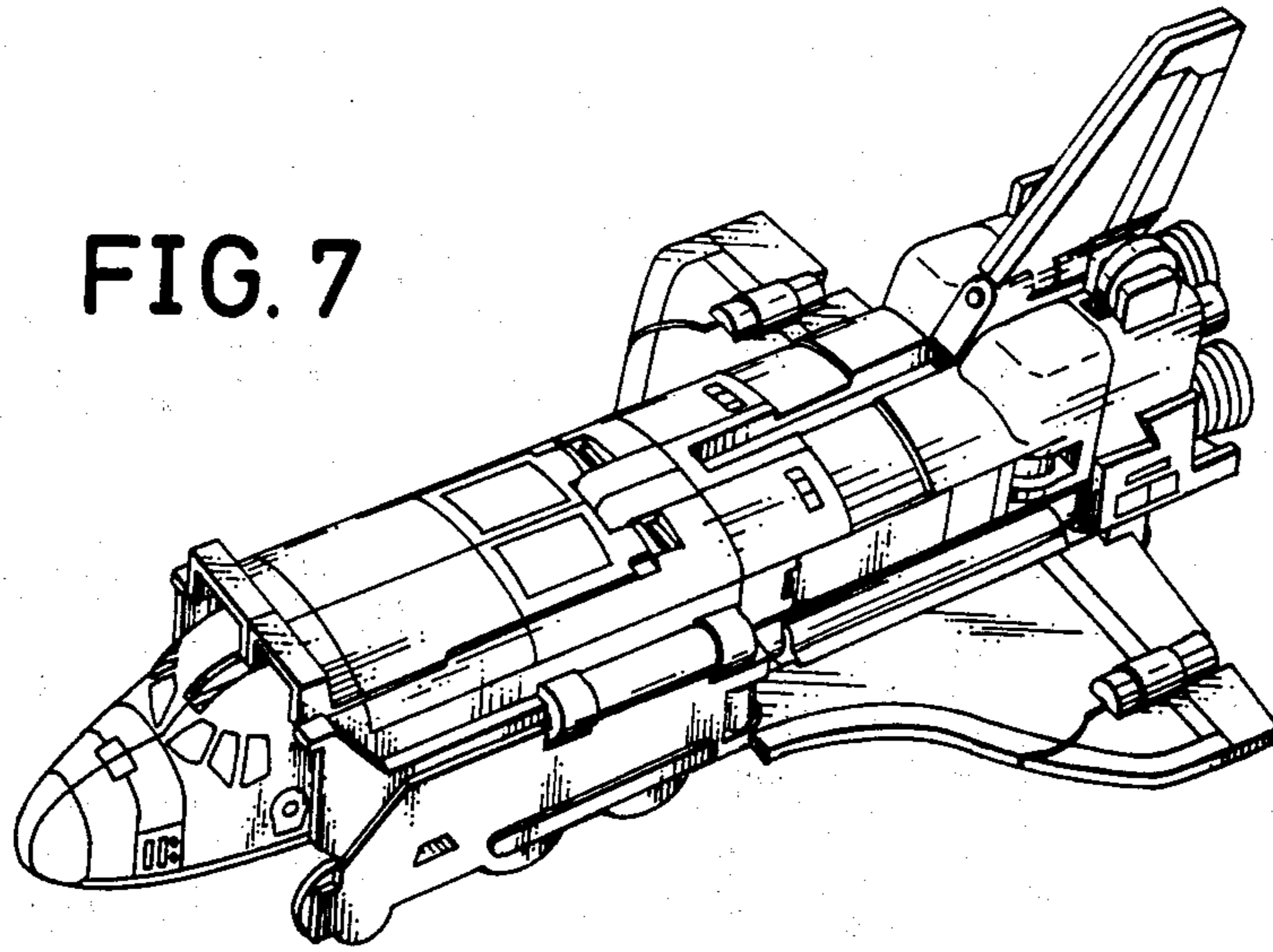


FIG. 8

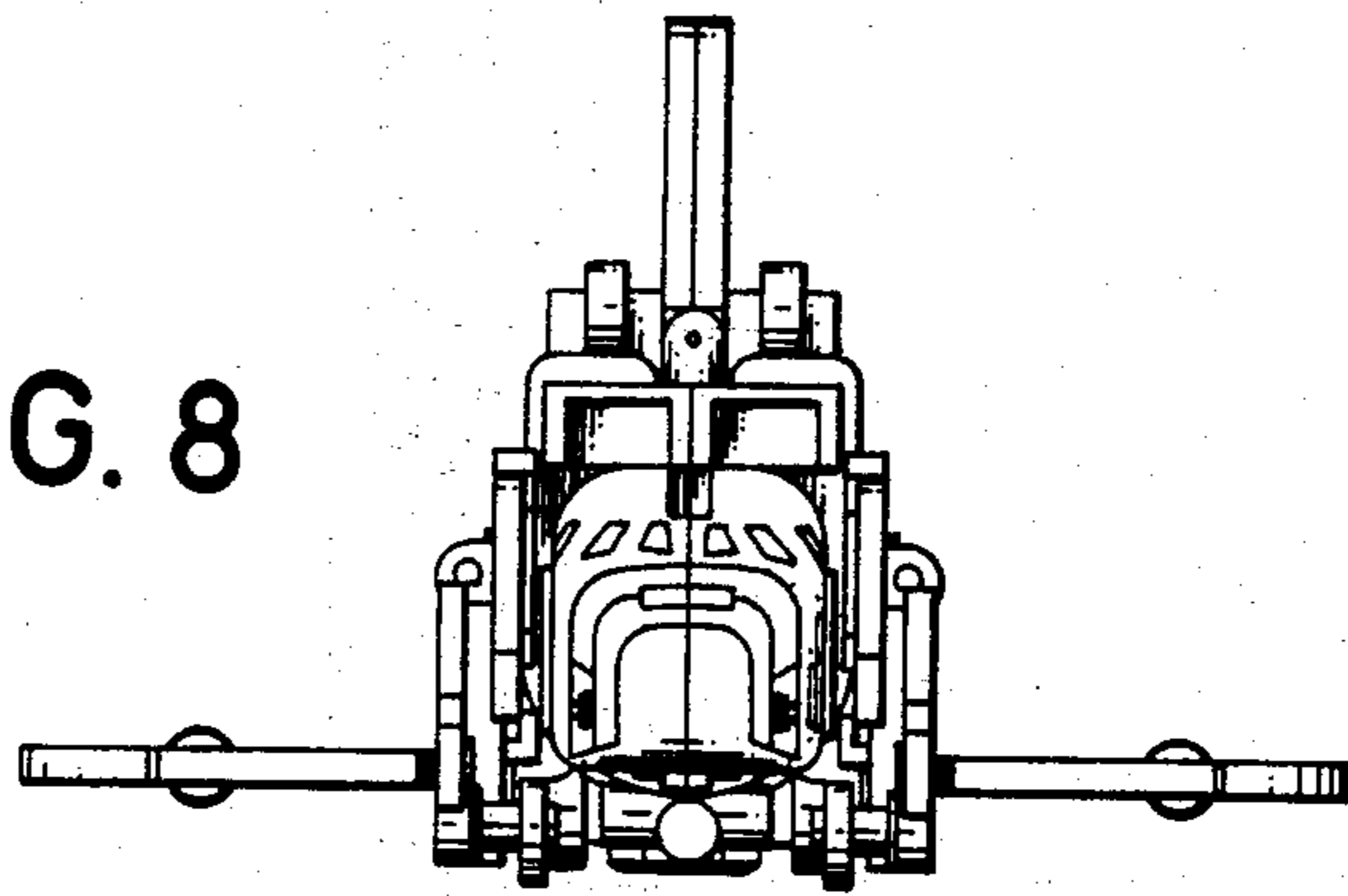
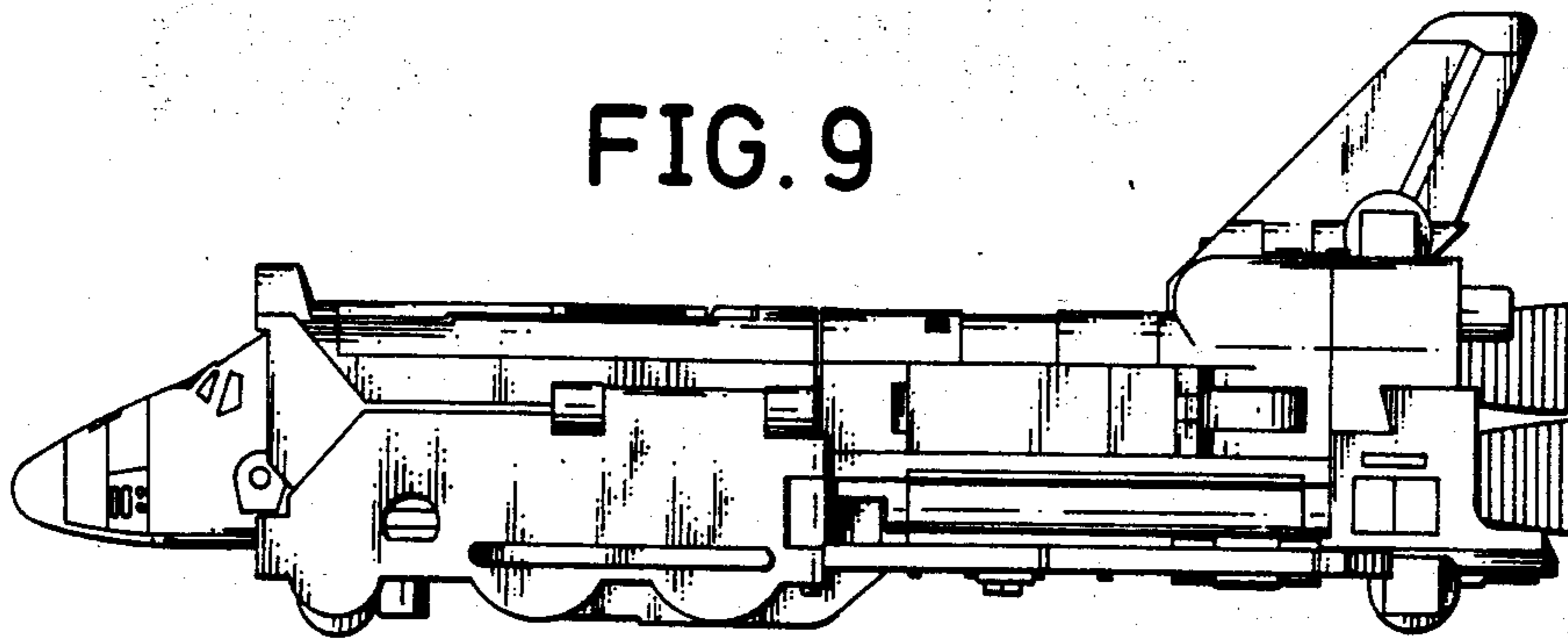


FIG. 9



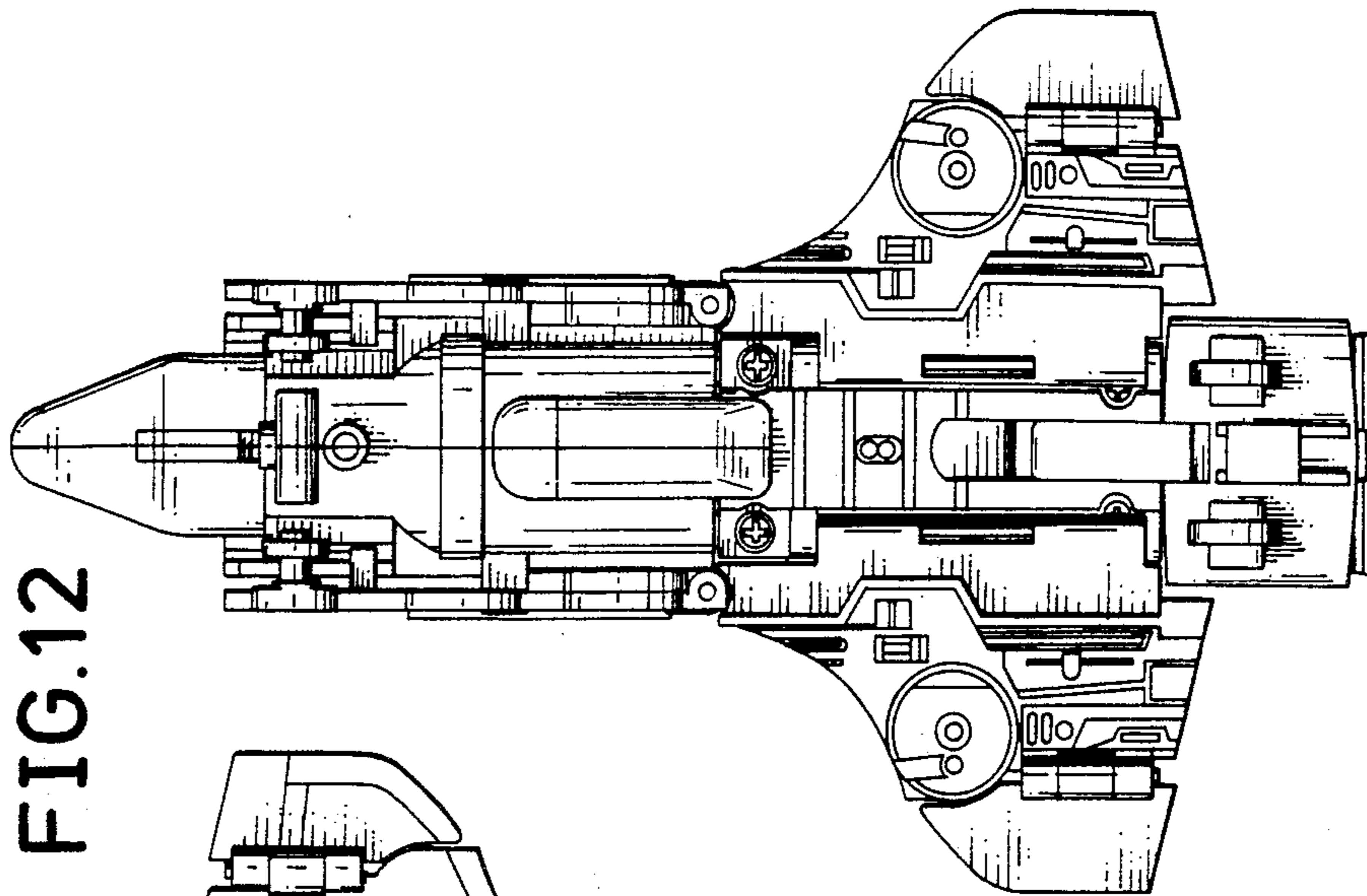


FIG.12

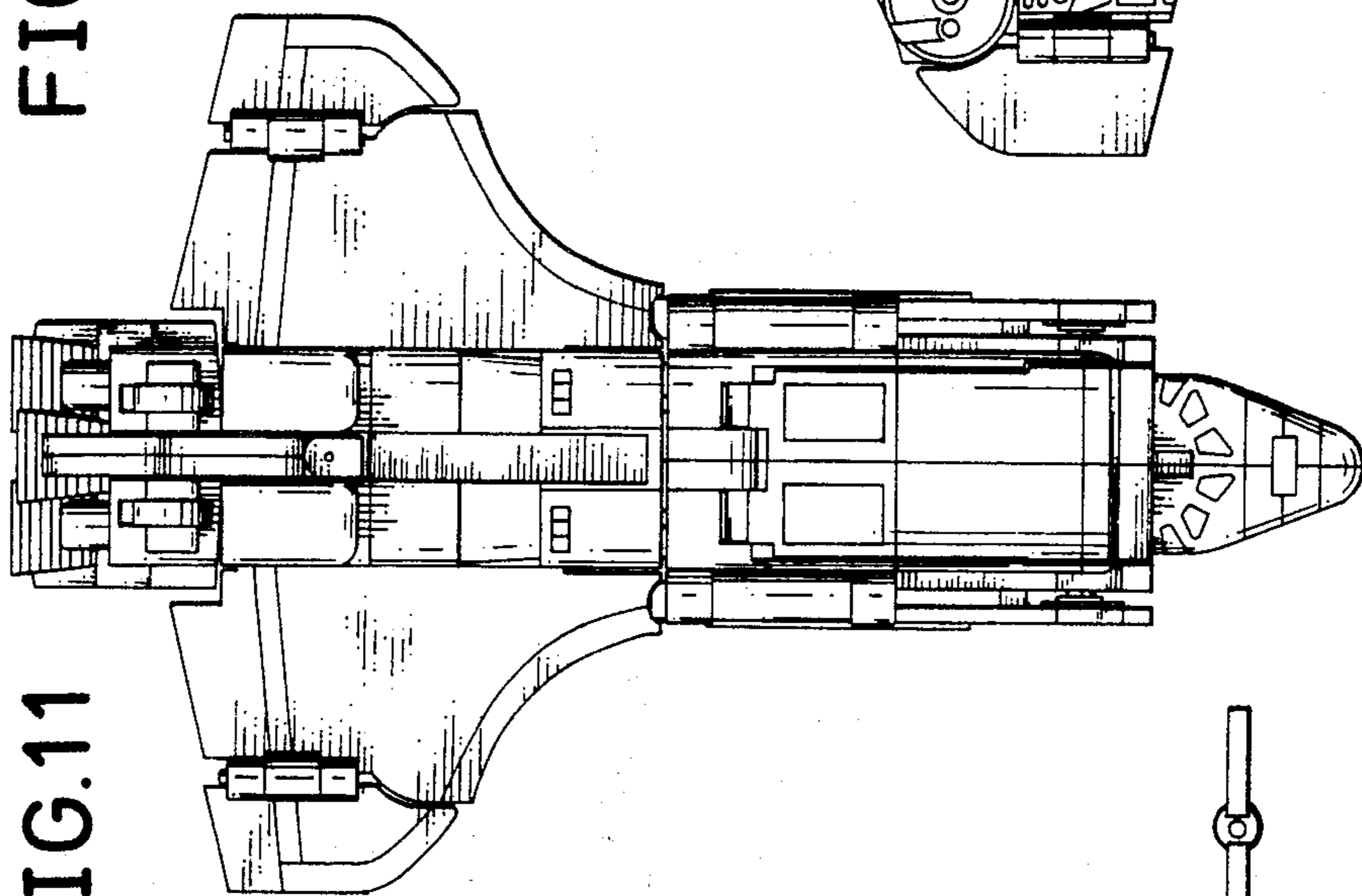


FIG.11

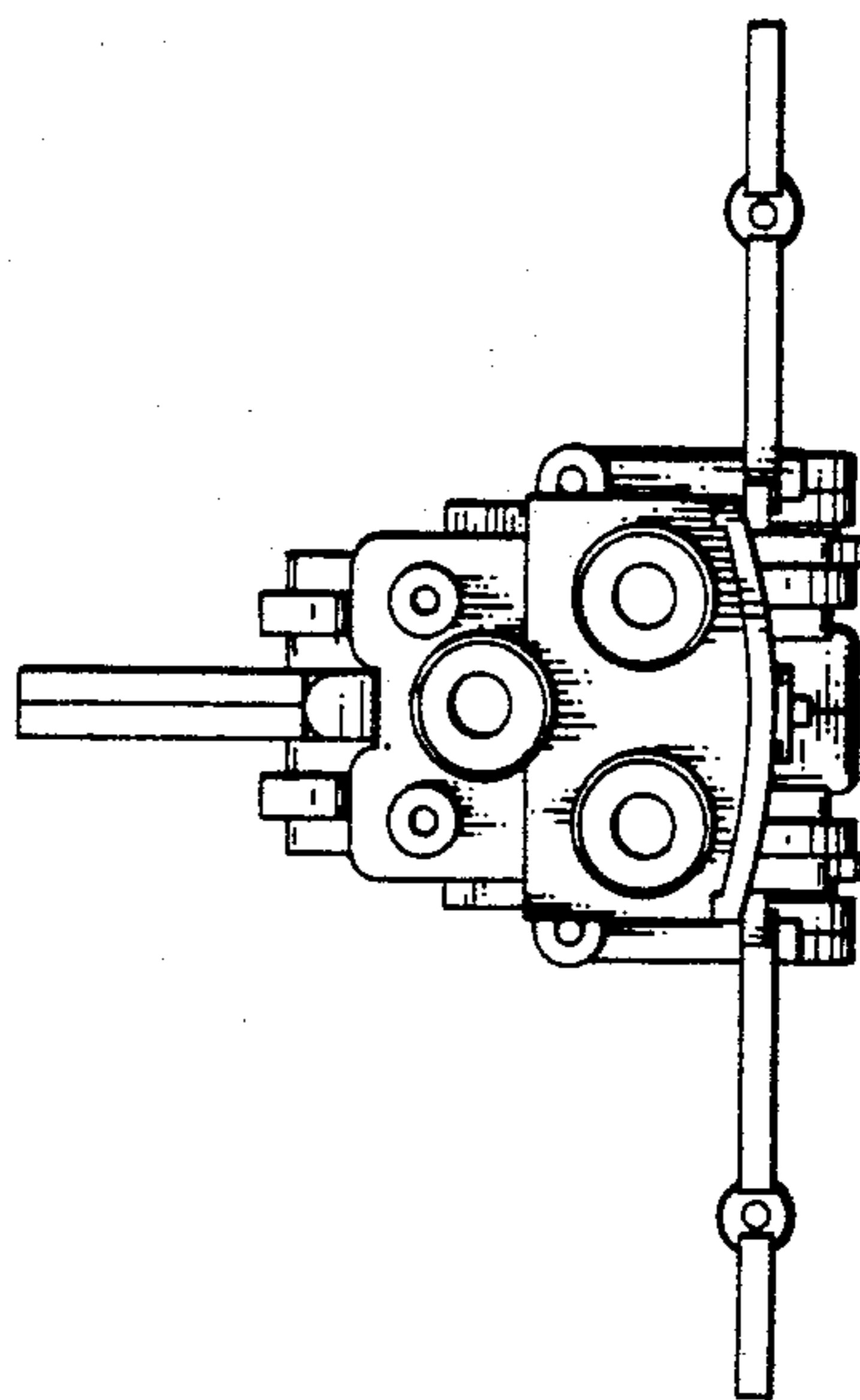


FIG.10

FIG.14

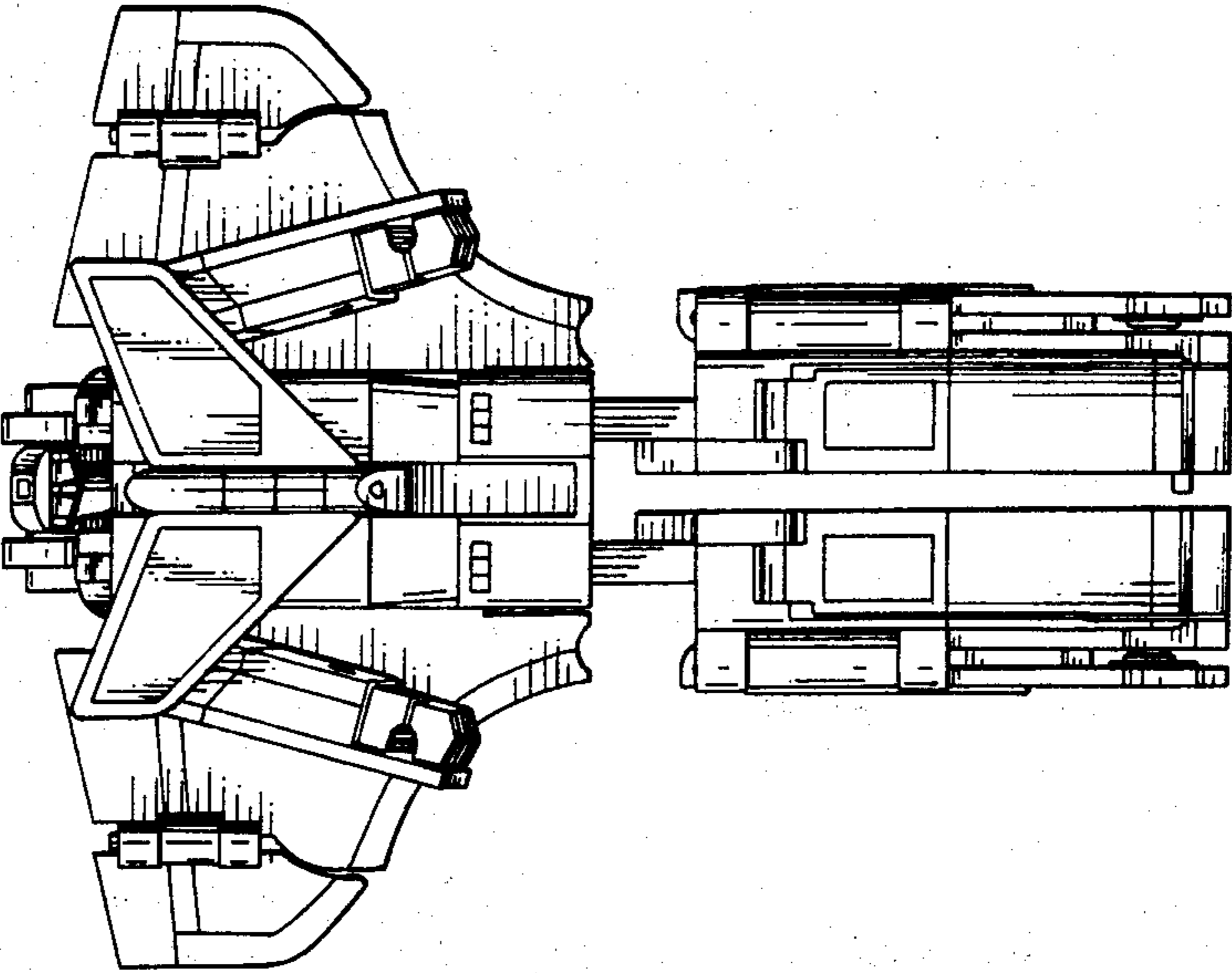


FIG.13

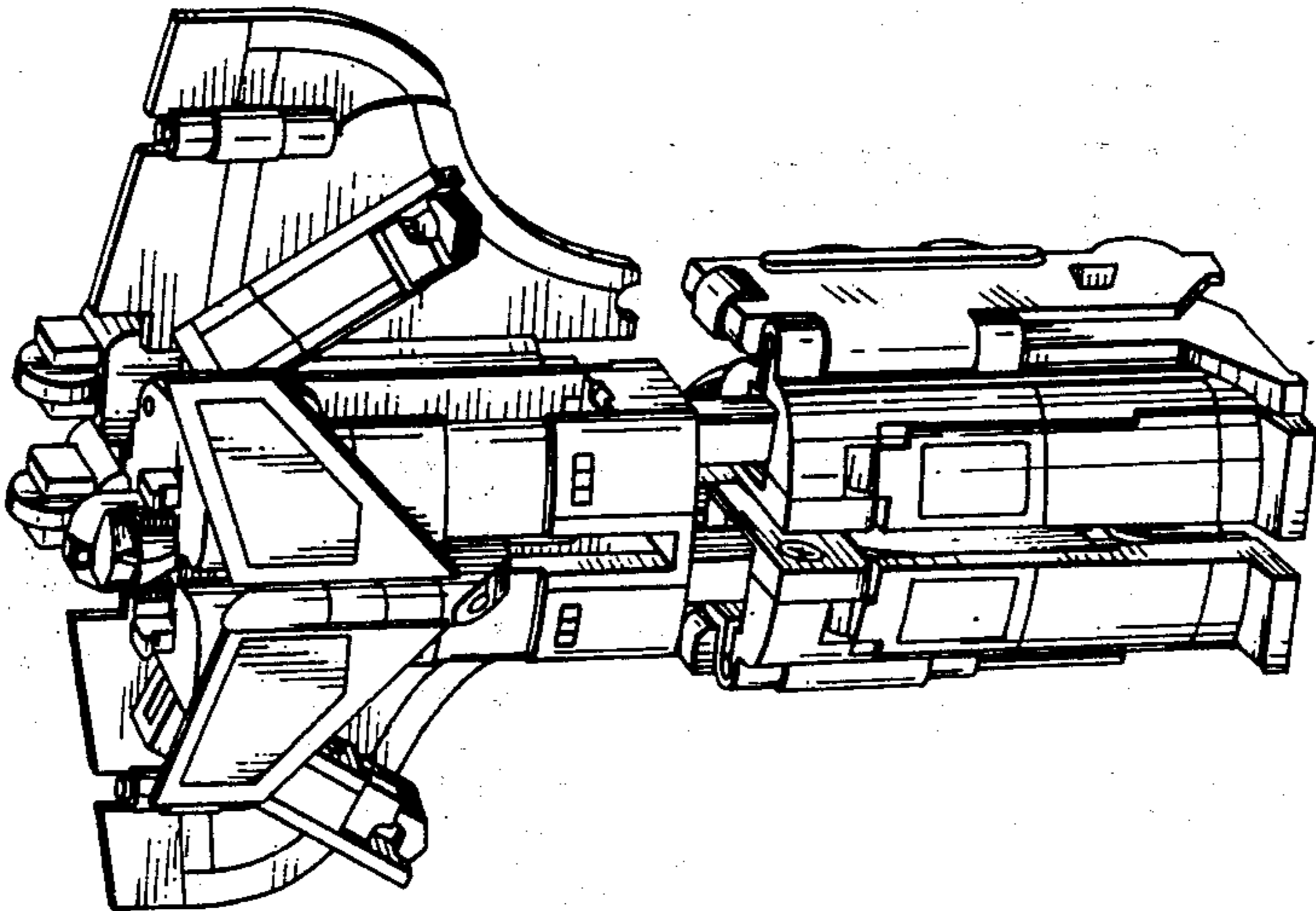


FIG.16

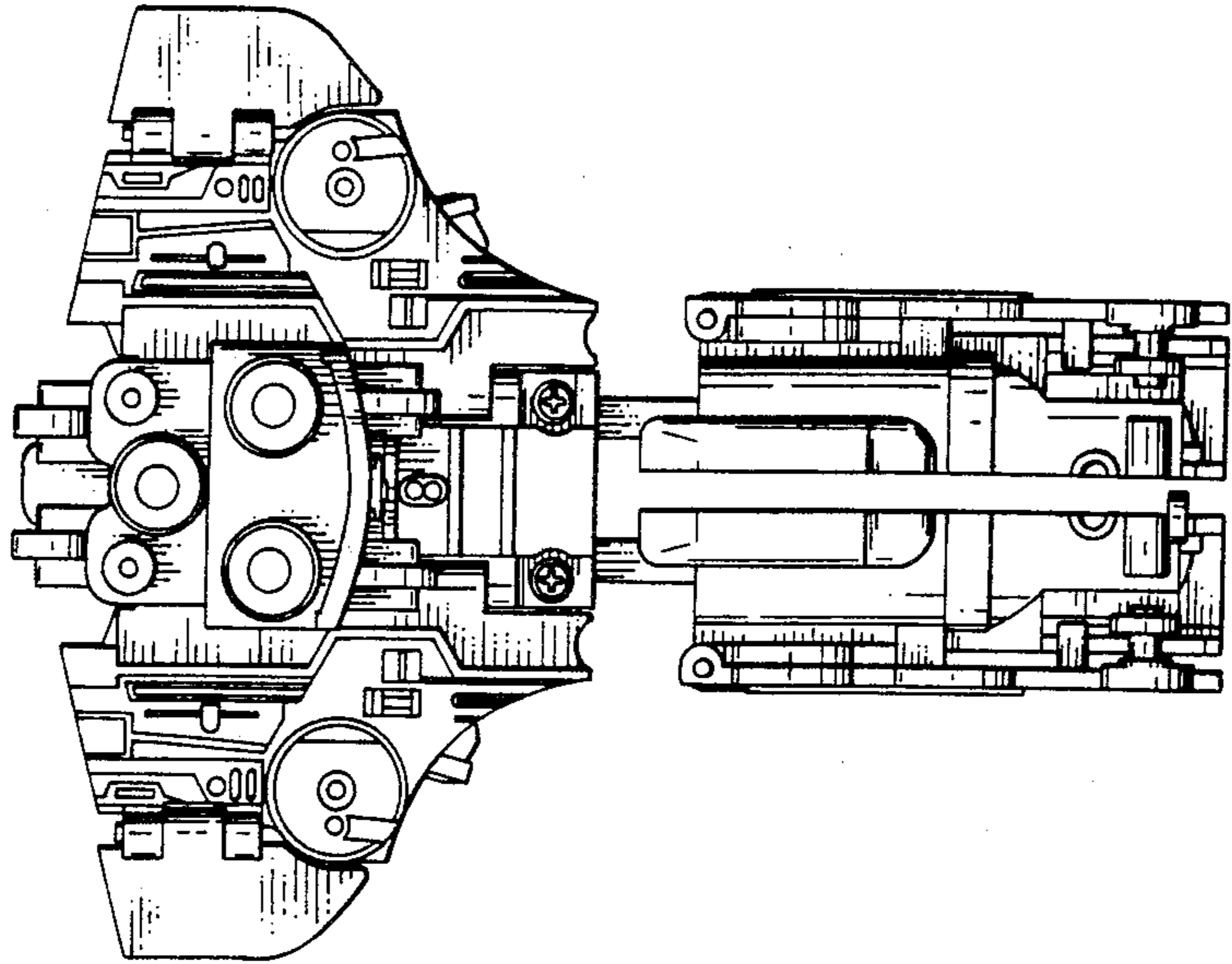


FIG.15

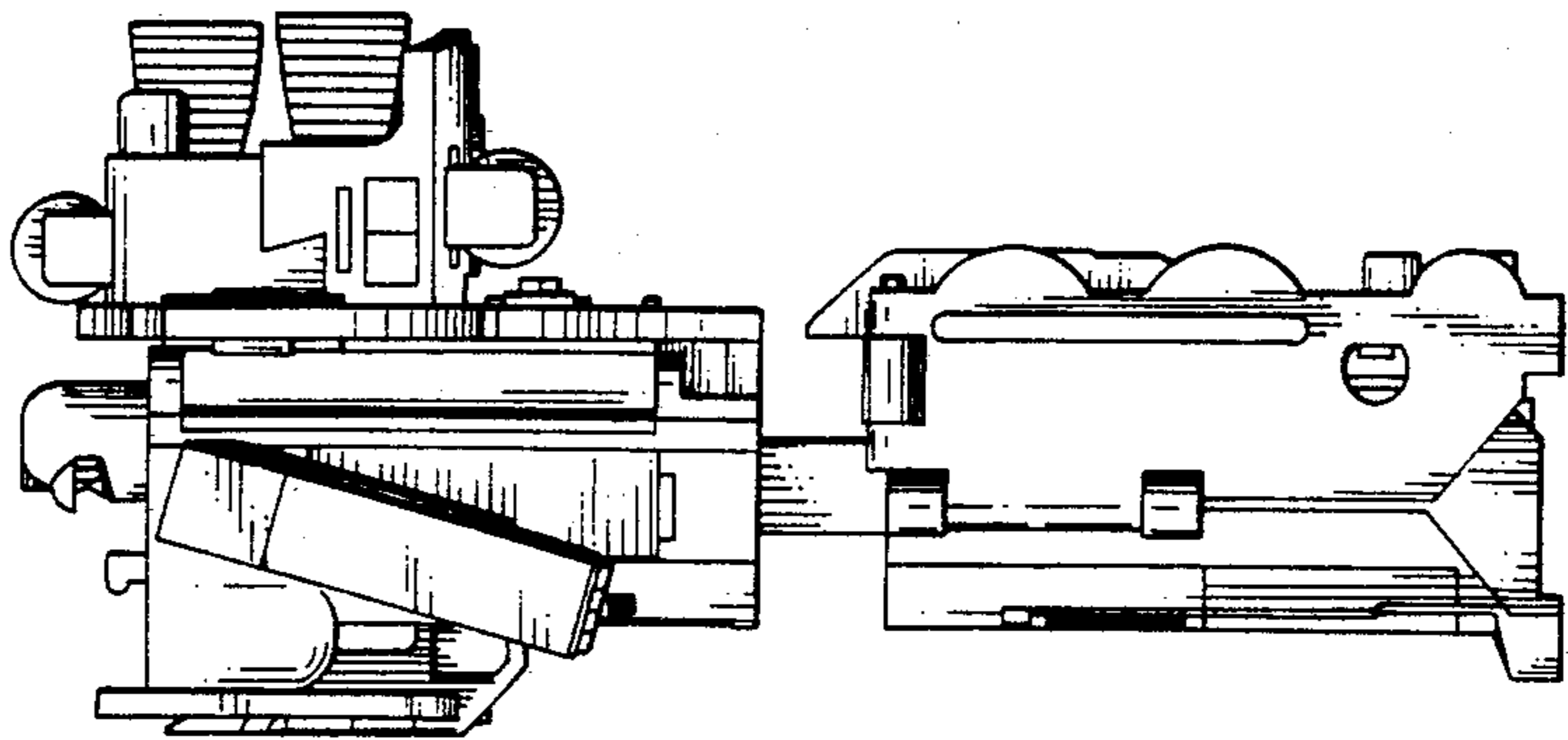


FIG. 17

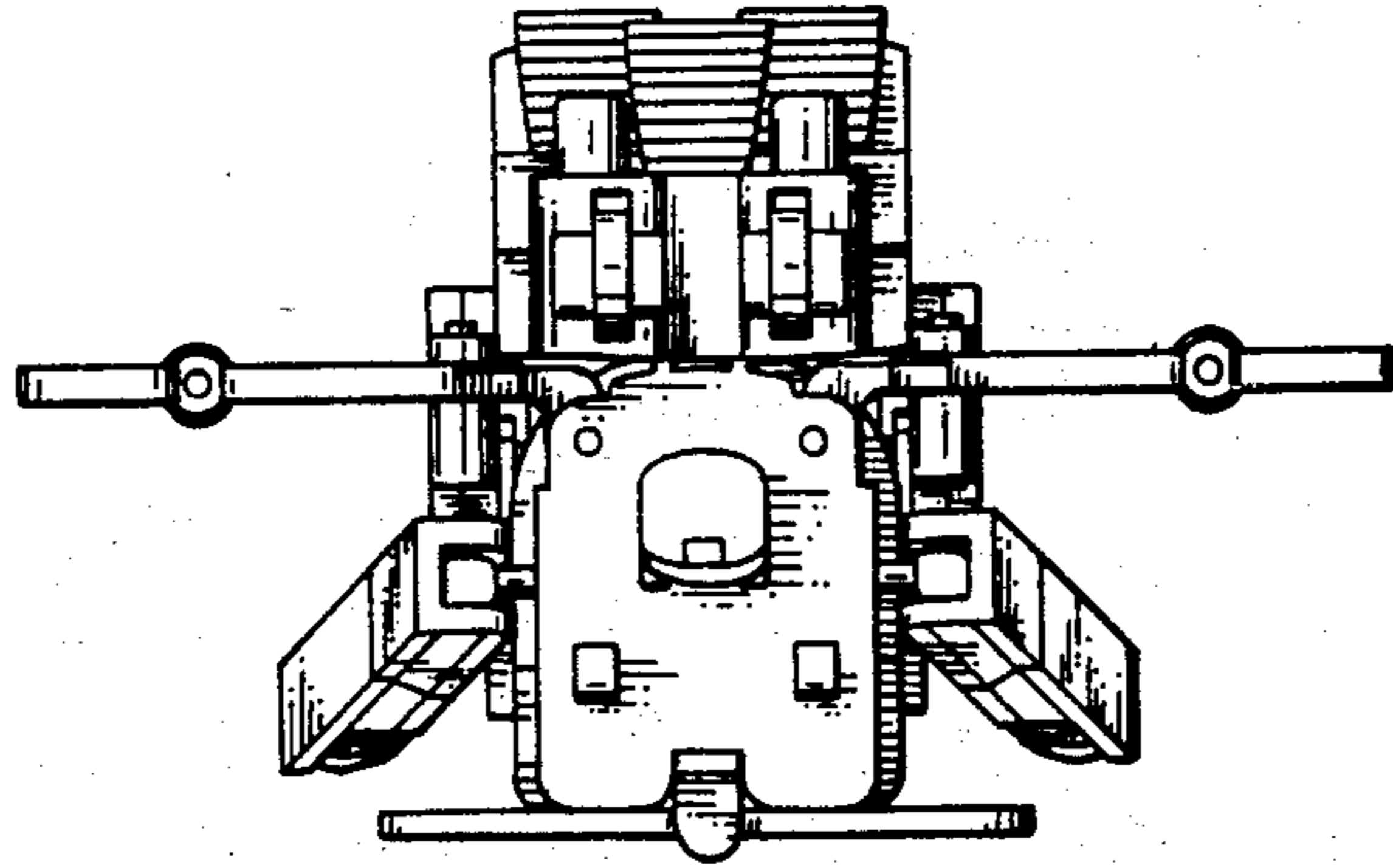


FIG. 18

