

[54] TOY TRACKWAY

[76] Inventor: Charles E. Davis, Rte. 3, Box 437, Bessemer City, N.C. 28016

[**] Term: 14 Years

[21] Appl. No.: 649,697

[22] Filed: Sep. 12, 1984

[52] U.S. Cl. D21/92; D21/143

[58] Field of Search D21/143, 92, 101; 446/421, 422, 266, 168, 170

3,060,627 10/1962 Seretny .
3,132,441 5/1964 Mahovsky .

FOREIGN PATENT DOCUMENTS

1116587 5/1956 France 446/170

Primary Examiner—Charles A. Rademaker
Attorney, Agent, or Firm—Shefte, Pinckney & Sawyer

[57] CLAIM

The ornamental design for a toy trackway, as shown and described.

[56] References Cited

U.S. PATENT DOCUMENTS

- D. 201,374 6/1965 Kloack D21/92
- D. 231,244 4/1974 Molenaar D21/92
- D. 279,395 6/1985 Green D21/92
- 591,876 10/1897 Pace .
- 2,485,064 10/1949 Paclayan D21/92
- 2,614,361 10/1952 Marong .
- 2,644,270 7/1953 Marong .
- 3,008,715 11/1961 Bachman .

DESCRIPTION

FIG. 1 is a front perspective view of a toy trackway showing my new design;

FIG. 2 is a front elevational view thereof;

FIG. 3 is a side elevational view thereof;

FIG. 4 is a rear elevational view thereof;

FIG. 5 is a top plan view thereof;

FIG. 6 is a bottom plan view thereof; and

FIG. 7 is a cross-sectional view thereof shown partially in fragment taken along lines 6—6 of FIG. 6.

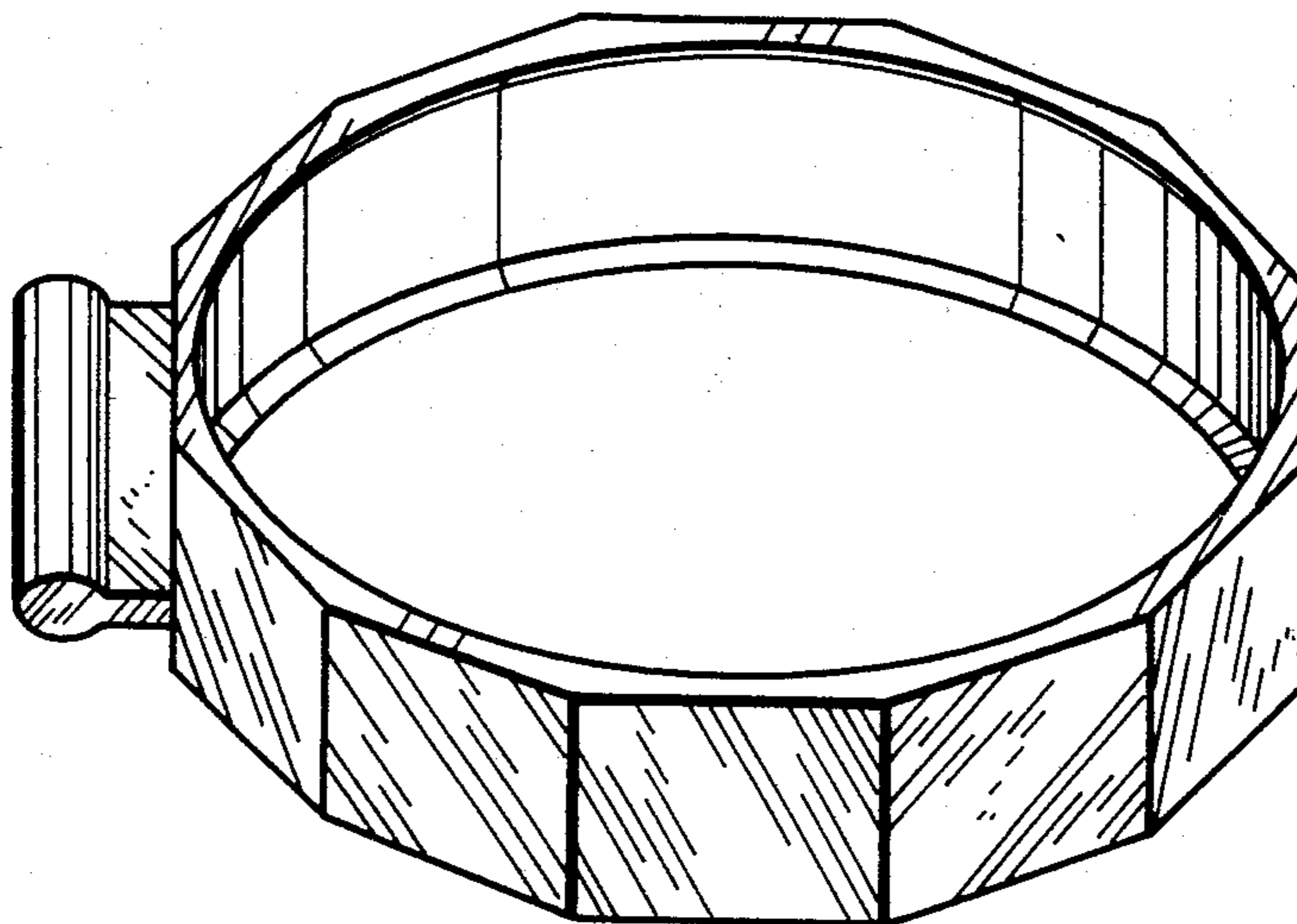


FIG. 1

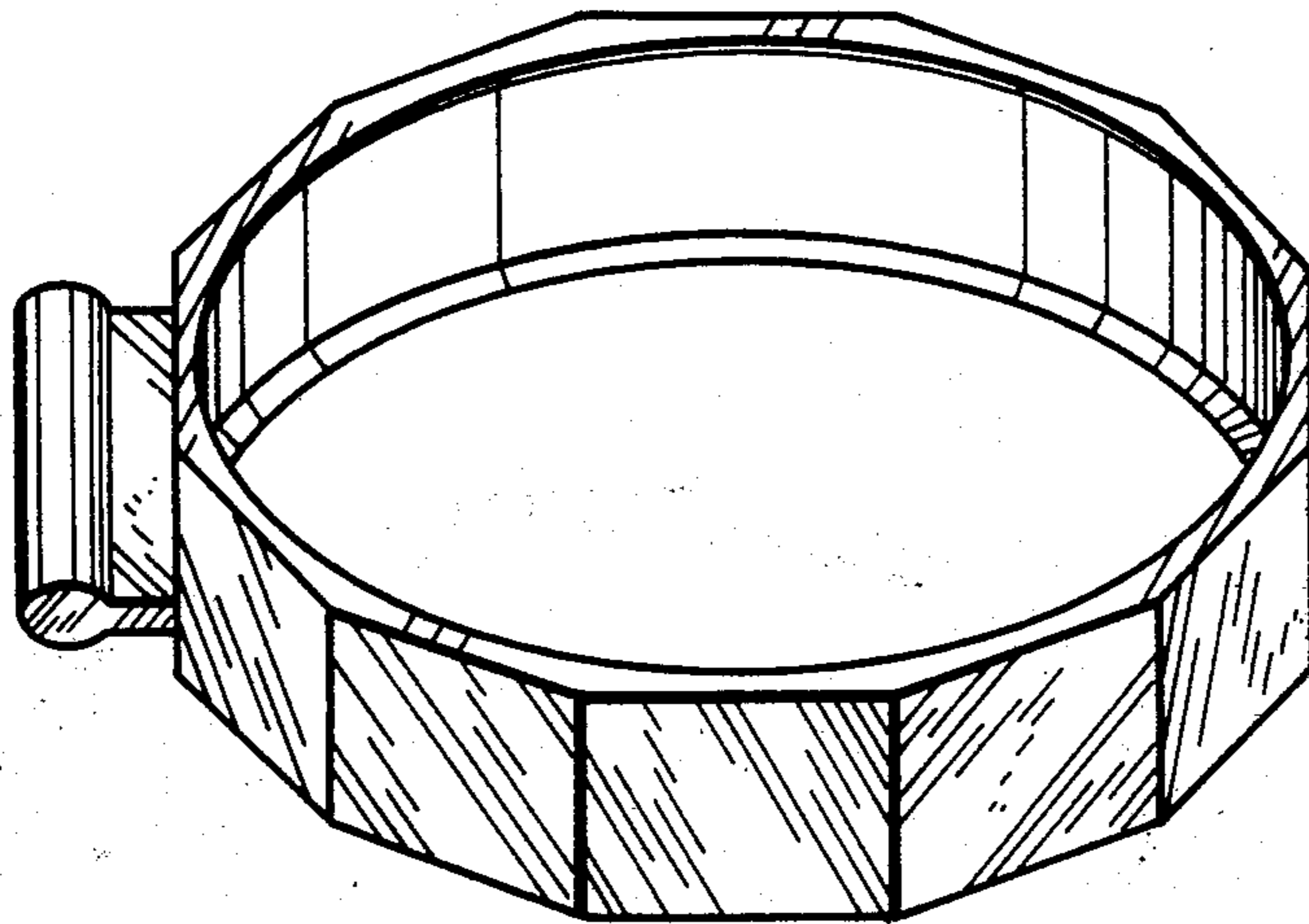


FIG. 2



FIG. 3



FIG. 4

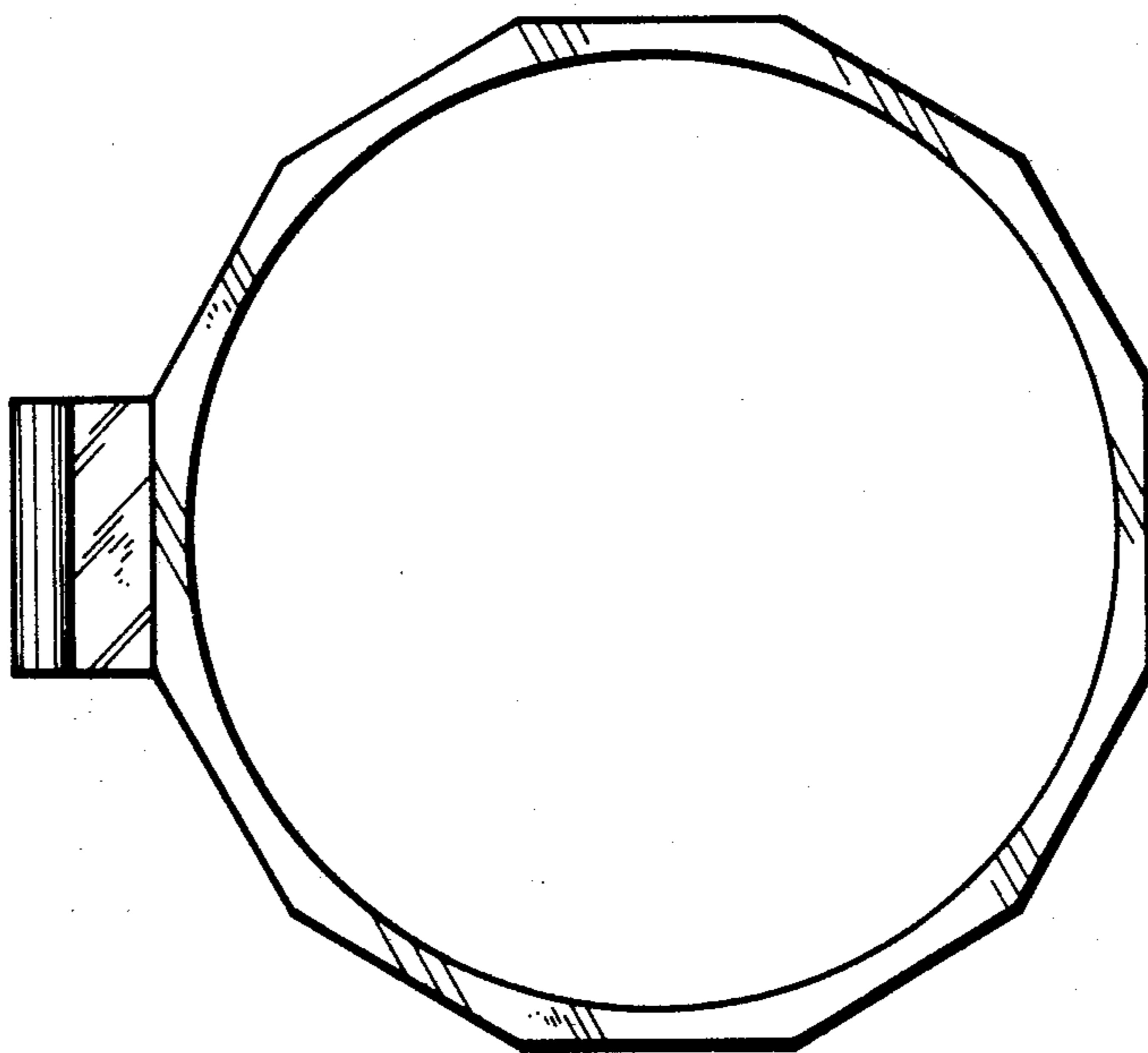


FIG. 5

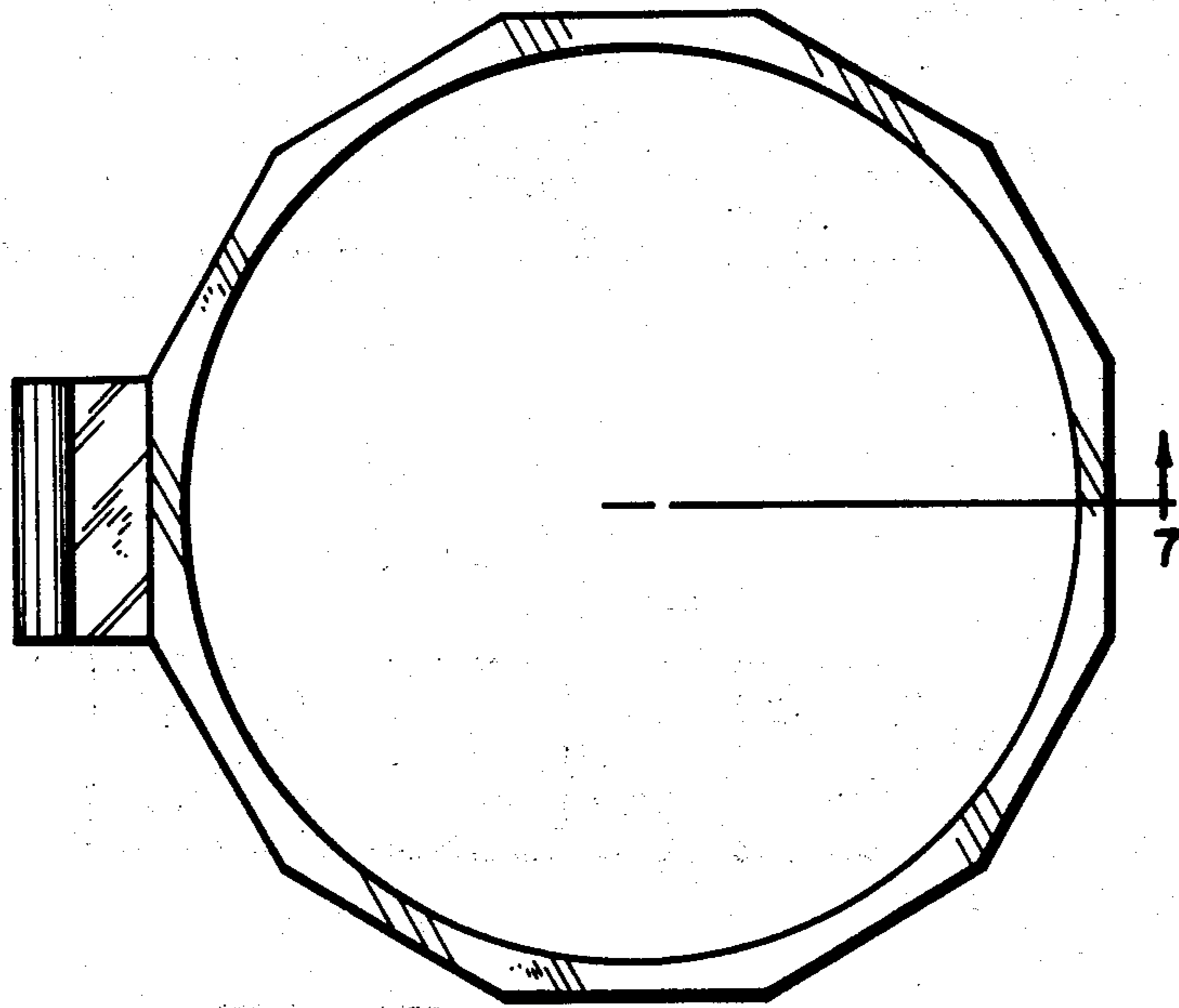


FIG. 6

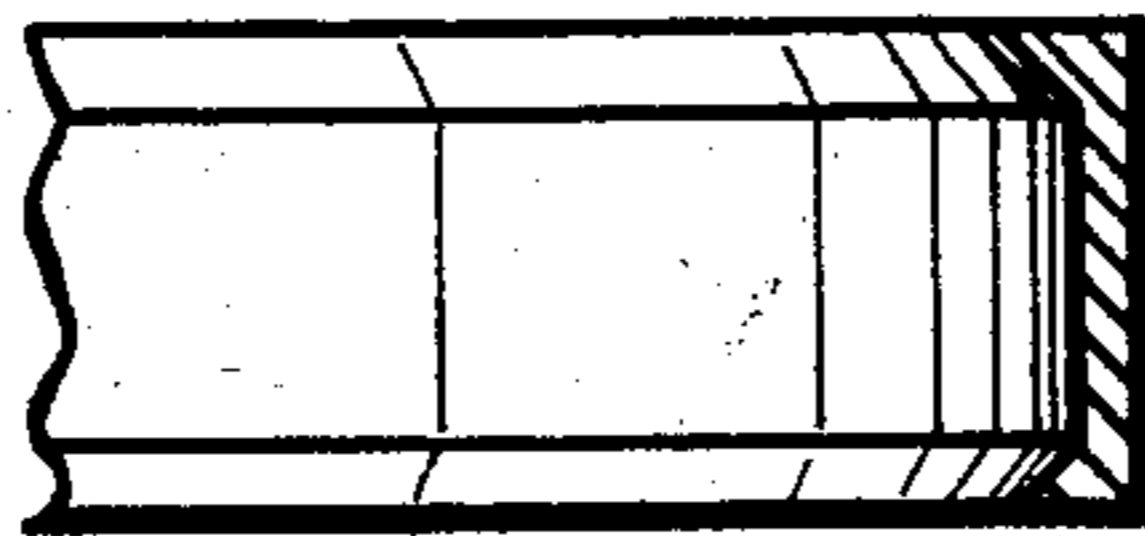


FIG. 7