

# United States Patent [19]

Andersson et al.

[11] Patent Number: **Des. 289,524**

[45] Date of Patent: **\*\* Apr. 28, 1987**

- [54] **LAWNMOWER BLADE**
- [75] Inventors: **Roger Andersson, Gränna; Lennart Engdahl; Jan Klasson**, both of Tranås, all of Sweden
- [73] Assignee: **Stiga AB, Tranås, Sweden**
- [\*\*] Term: **14 Years**
- [21] Appl. No.: **584,957**
- [22] Filed: **Feb. 29, 1984**
- [30] **Foreign Application Priority Data**
- Sep. 9, 1983 [SE] Sweden ..... 83-2321
- [52] U.S. Cl. .... **D15/17**
- [58] Field of Search ..... D15/10, 17; 30/347; 56/295
- [56] **References Cited**
- U.S. PATENT DOCUMENTS**
- D. 268,641 4/1983 Banforte ..... D15/17  
2,669,084 2/1954 Warren ..... 30/347

2,963,844	12/1960	Engler	.....	30/347
3,103,093	9/1963	House	.....	30/347
3,425,199	4/1969	Freedlander	.....	30/347
4,254,607	3/1981	Moore	.....	56/295
4,290,258	9/1981	Gobler	.....	56/295
4,426,831	1/1984	Klas et al.	.....	56/295

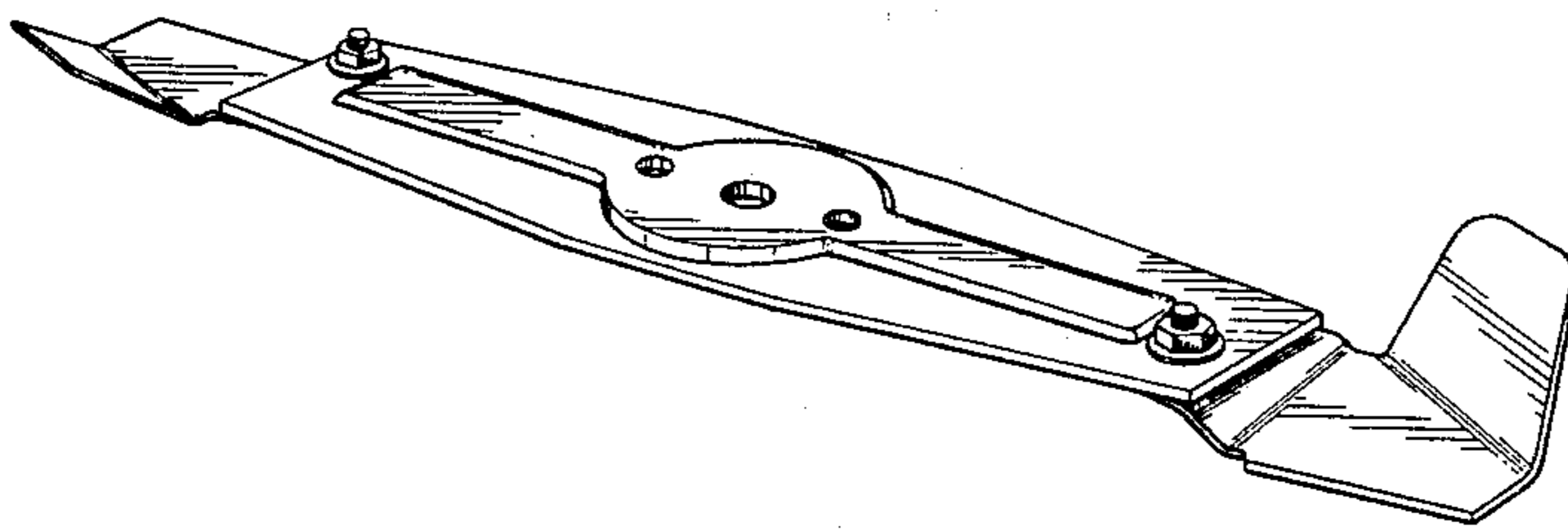
*Primary Examiner*—B. J. Bullock  
*Attorney, Agent, or Firm*—Beveridge, DeGrandi and Weilacher

## [57] CLAIM

The ornamental design for a lawnmower blade, as shown and described.

## DESCRIPTION

FIG. 1 is a top perspective view of a lawnmower blade showing our new design;  
FIG. 2 is a slightly enlarged perspective view thereof;  
FIG. 3 is an enlarged top perspective view with the cutting end pieces being removed;  
FIG. 4 is an enlarged perspective view of a cutting end piece shown separately for ease of illustration.



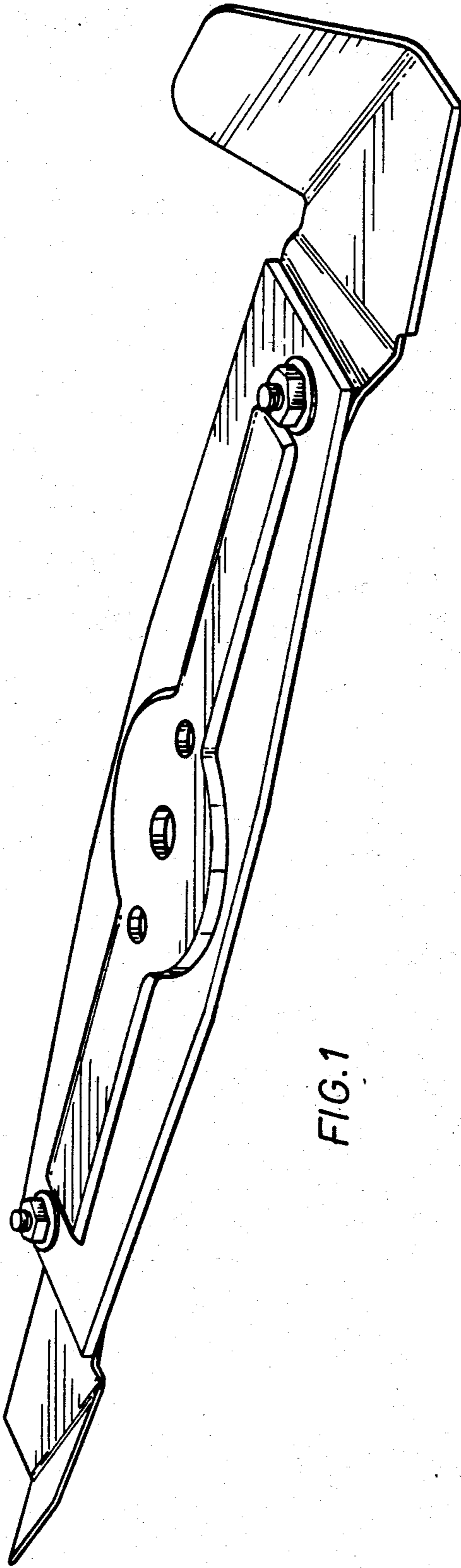


FIG. 1

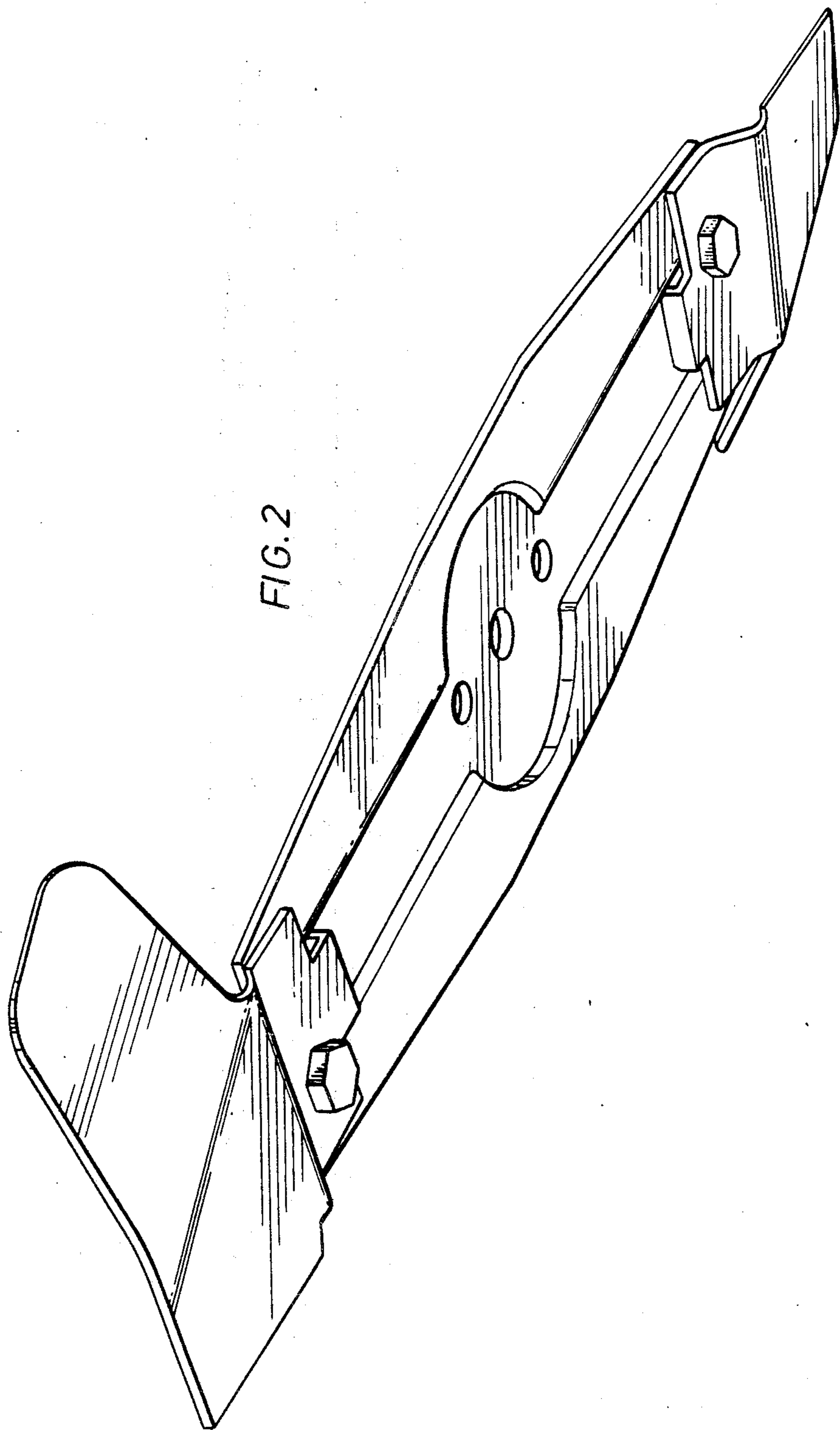
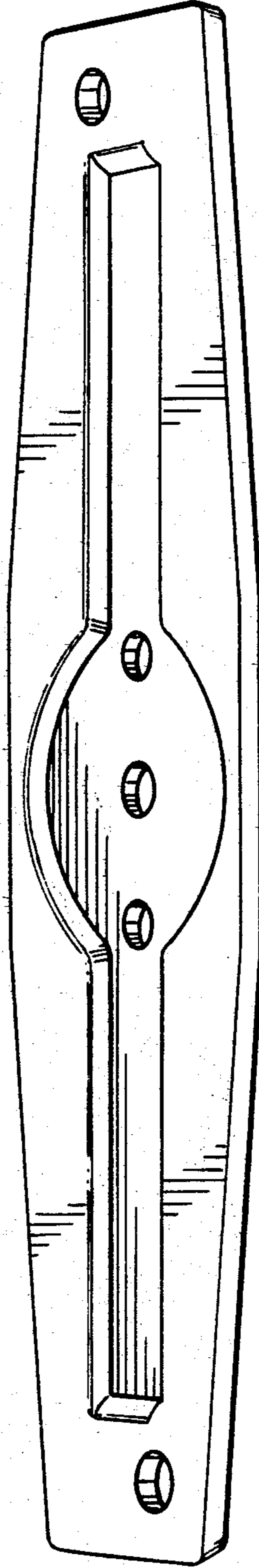


FIG. 3



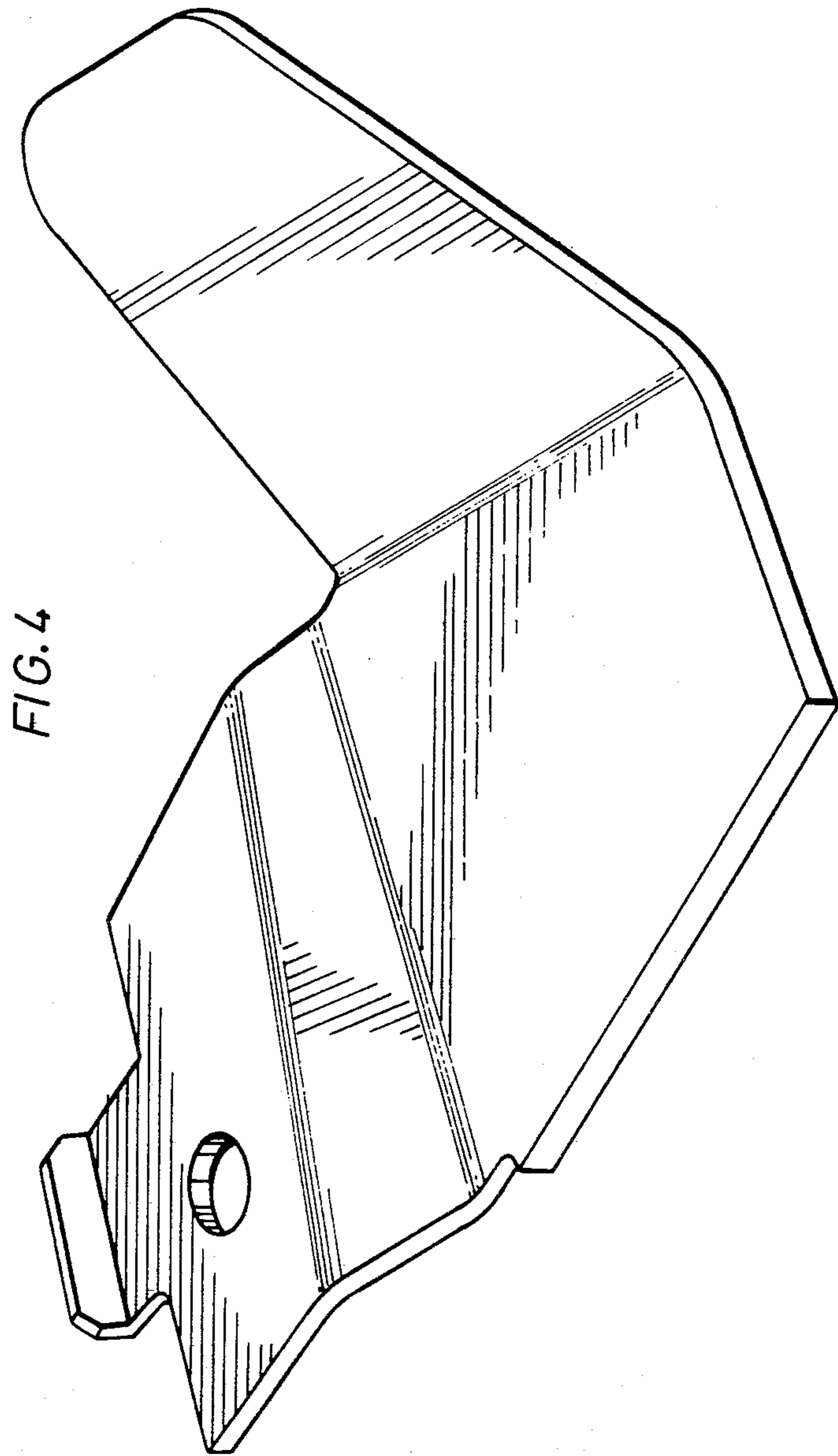


FIG. 4