

[54] REEL HUB FOR MAGNETIC TAPE CASSETTE OR THE LIKE

[75] Inventor: Katsutoshi Kikuchi, Tokyo, Japan

[73] Assignee: Sony Corporation, Tokyo, Japan

[**] Term: 14 Years

[21] Appl. No.: 678,155

[22] Filed: Dec. 4, 1984

[30] Foreign Application Priority Data

Jul. 2, 1984 [JP] Japan 59-27235

[52] U.S. Cl. D14/10; D14/11

[58] Field of Search D14/1, 10, 11, 99; 360/132, 134; 242/197, 198, 199

[56] References Cited

U.S. PATENT DOCUMENTS

- D. 216,594 2/1970 Okamoto D14/10
- D. 235,223 5/1975 Ainslie et al. D14/10

- D. 244,943 7/1977 Balmer, Jr. D14/10
- D. 247,487 3/1978 Sato D14/10

Primary Examiner—Bernard Ansher
 Assistant Examiner—Theodore M. Shooman
 Attorney, Agent, or Firm—Lewis H. Eslinger; Alvin Sinderbrand

[57] CLAIM

The ornamental design for a reel hub for magnetic tape cassette or the like, as shown and described.

DESCRIPTION

FIG. 1 is a front elevational view of a reel hub for magnetic tape cassette or the like, showing my new design; FIG. 2 is a sectional view thereof, taken along line 2—2 in FIG. 1; FIG. 3 is a rear elevational view thereof; FIG. 4 is a right side elevational view thereof, the left side being a mirror image; FIG. 5 is a top plan view thereof; and FIG. 6 is a bottom plan view thereof.

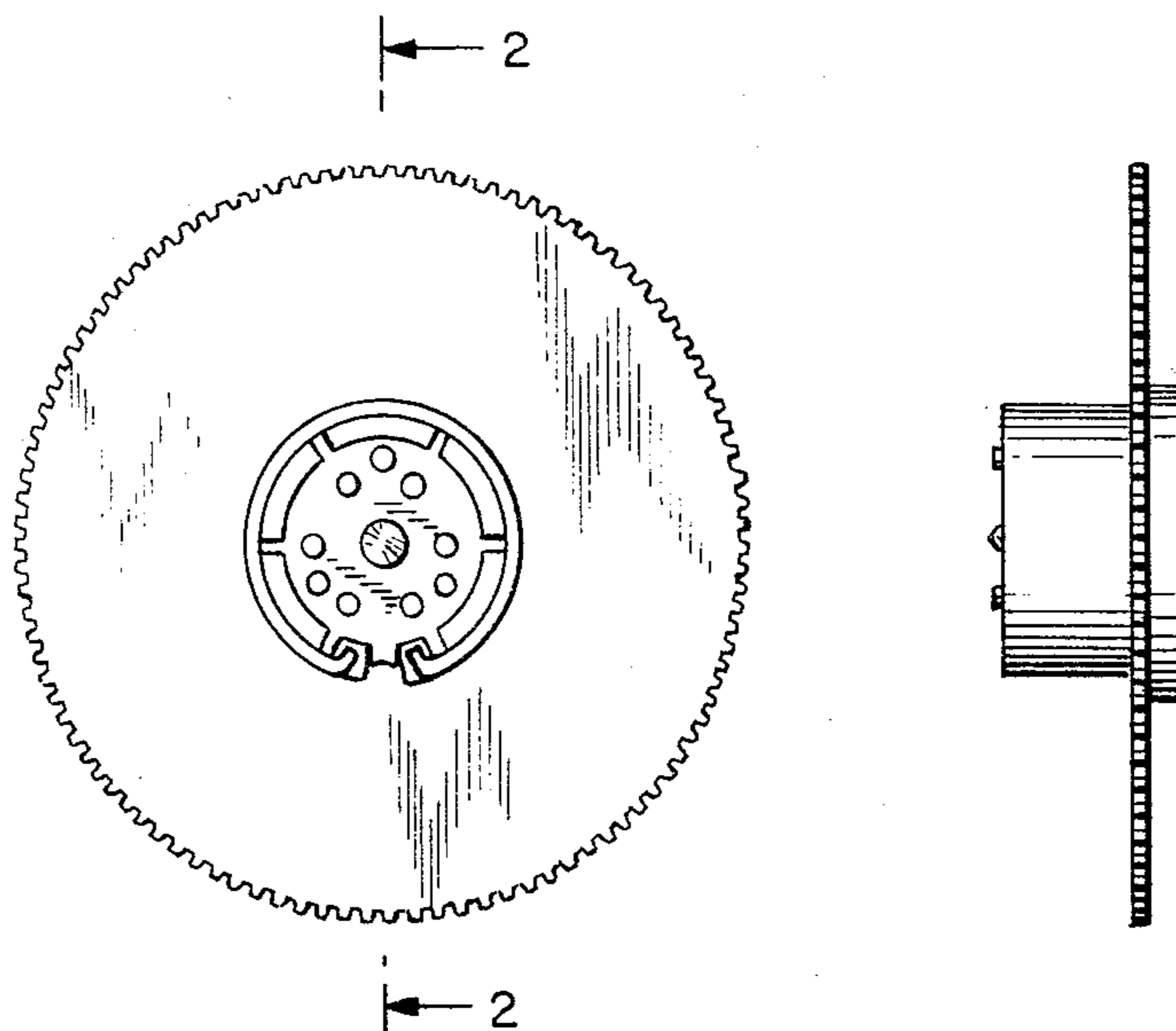
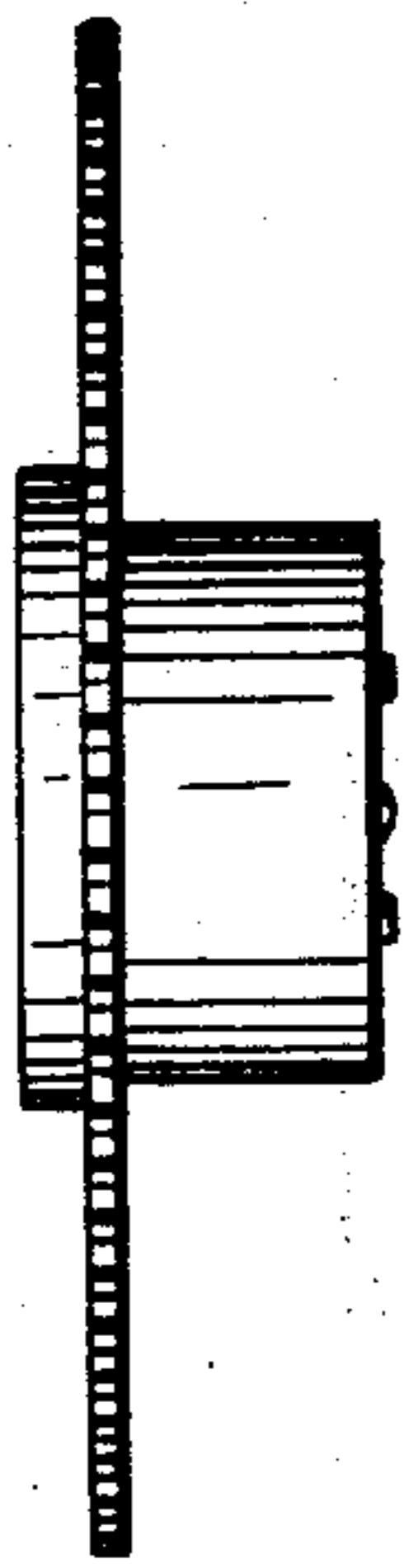
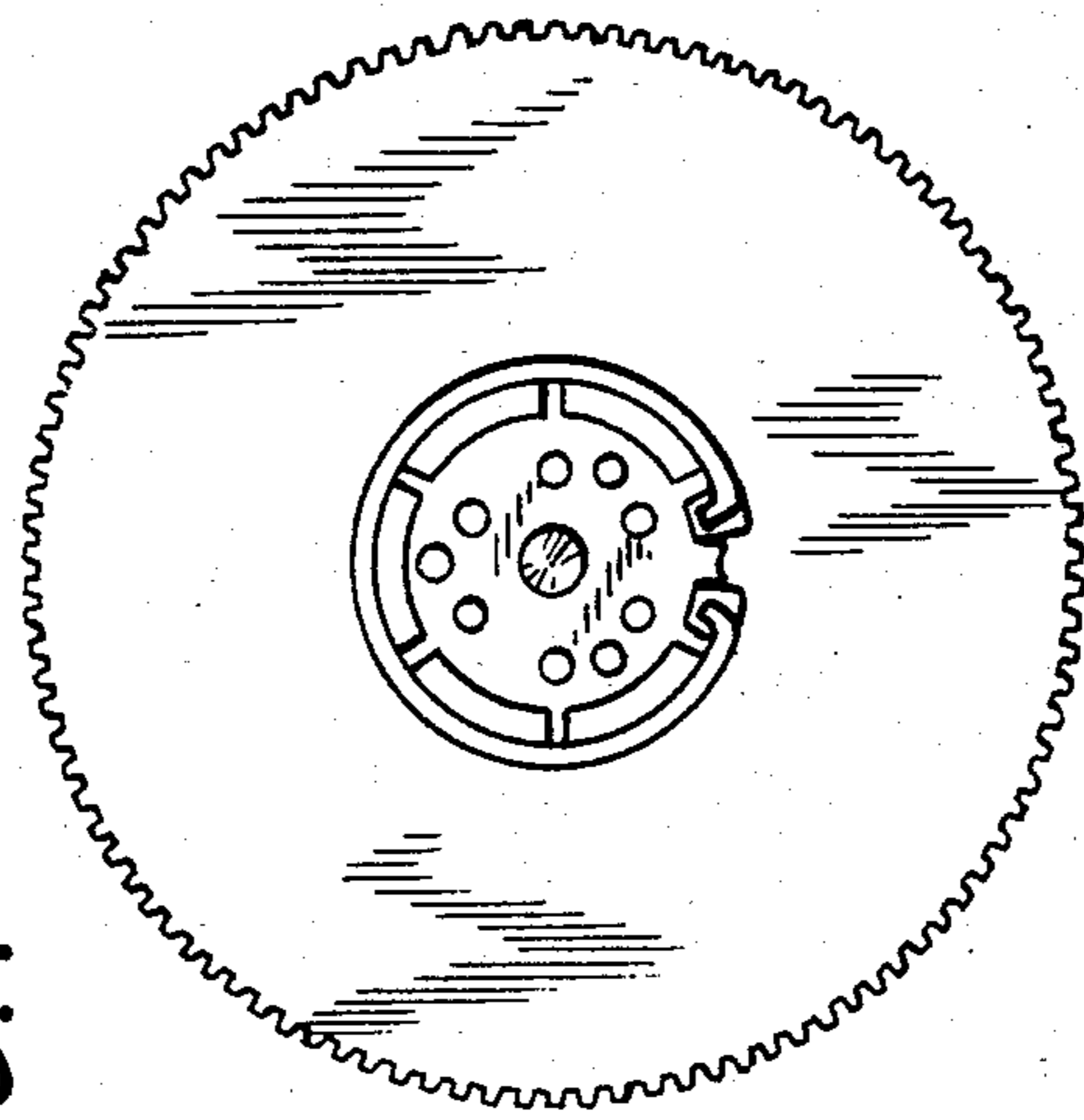


FIG. 5



2

FIG. 1



2

FIG. 2

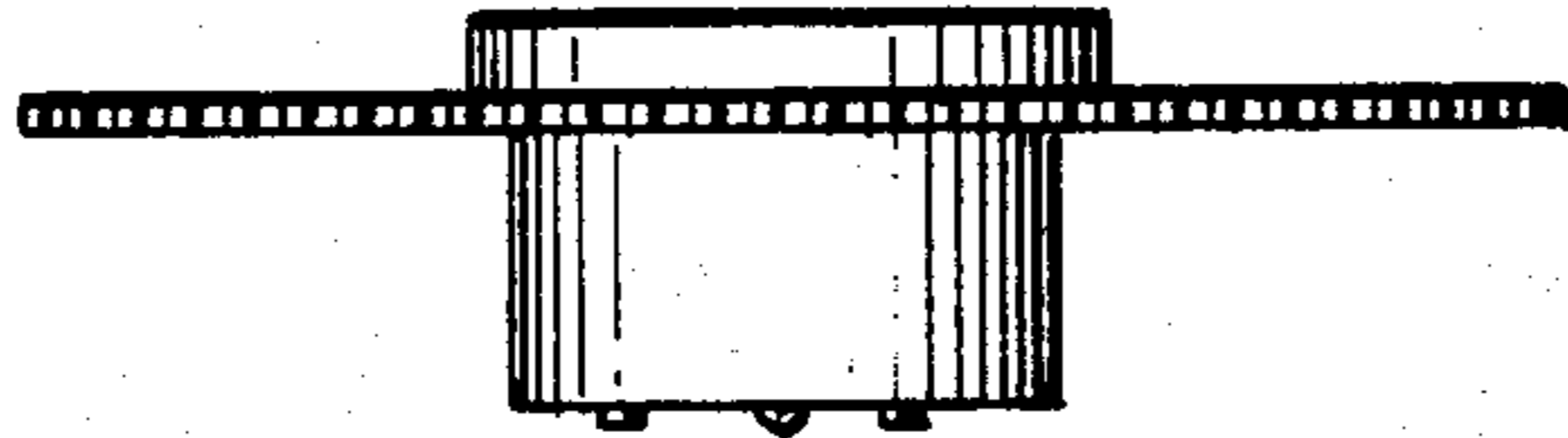
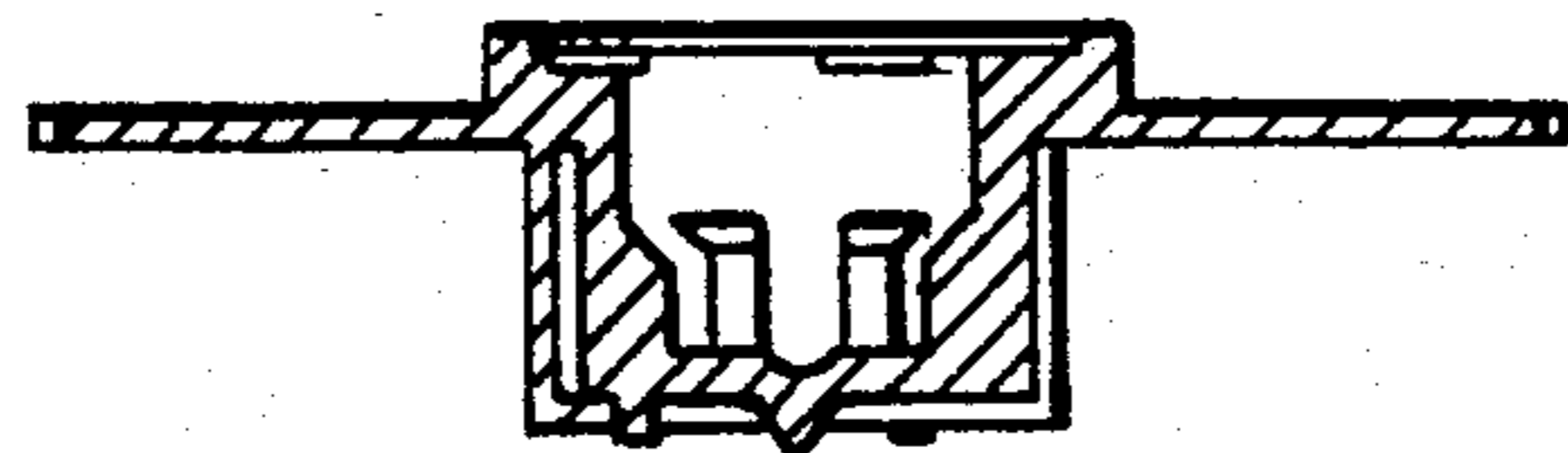


FIG. 4

FIG. 3

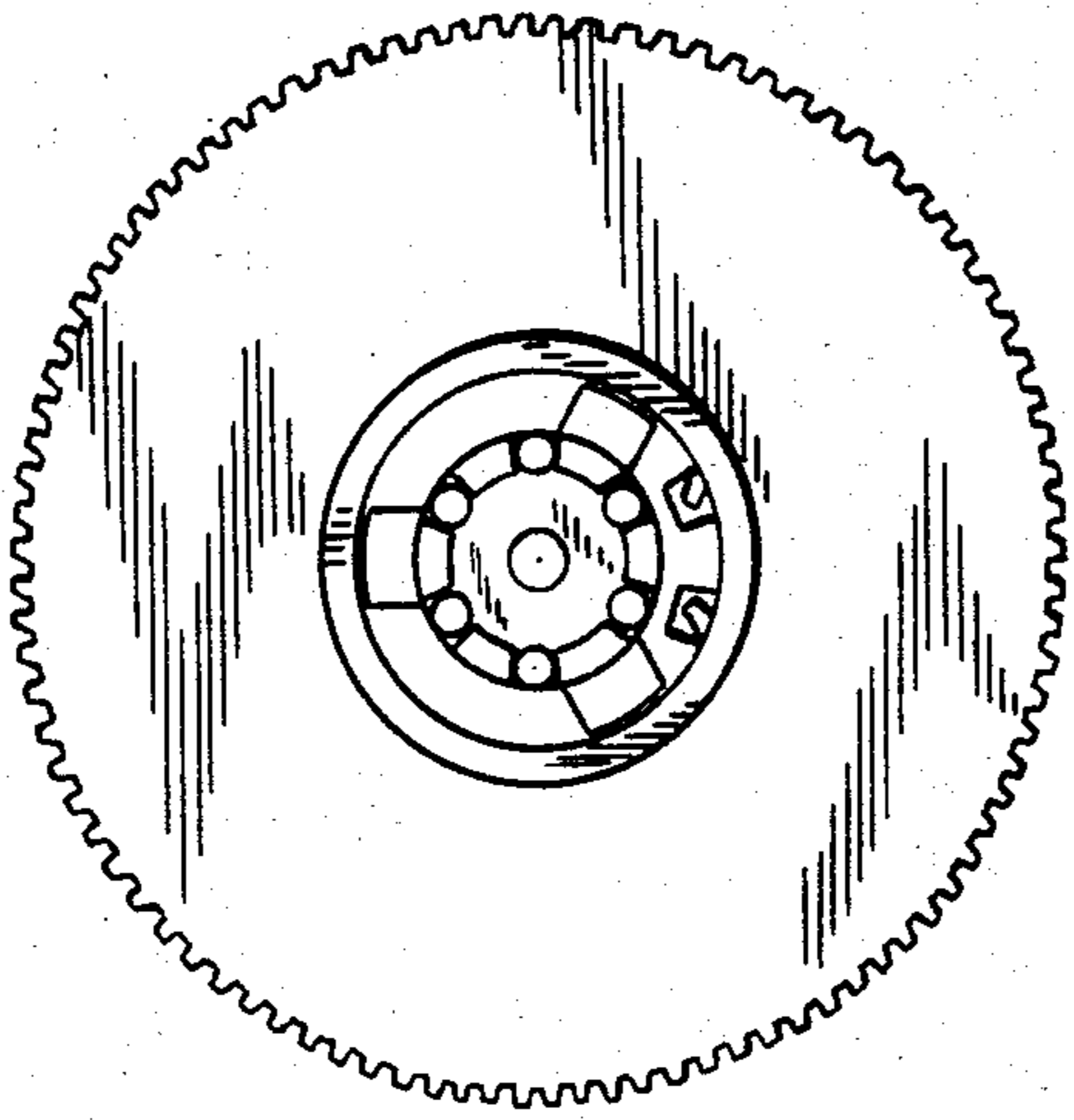


FIG. 6

