

[54] **TIRE FOR A VEHICLE WHEEL**

[75] Inventor: **Giuliano Ghilardi**, Sesto S. Giovanni, Italy

[73] Assignee: **Societa' Pneumatici Pirelli S.p.A.**, Italy

[\*\*] Term: **14 Years**

[21] Appl. No.: **613,532**

[22] Filed: **May 24, 1984**

[30] **Foreign Application Priority Data**

Dec. 6, 1983 [IT] Italy ..... 23756/83[U]

[52] U.S. Cl. .... **D12/142**

[58] Field of Search ..... **D12/141-143;**  
**152/209 R, 209 D**

[56] **References Cited**

**U.S. PATENT DOCUMENTS**

D. 277,174 1/1985 Casimiro et al. .... D12/142

**OTHER PUBLICATIONS**

1979 Tread Design Guide, p. 172, Pirelli SN 55, US Tire, top center of page.

1983 Tread Design Guide, p. 149, Alliance All Steel Radial 245 Tire, top center of page.

Modern Tire Dealer, 8/83, p. 39, Michelin Tire, center of page.

*Primary Examiner*—James M. Gandy

*Attorney, Agent, or Firm*—Stevens, Davis, Miller & Mosher

[57] **CLAIM**

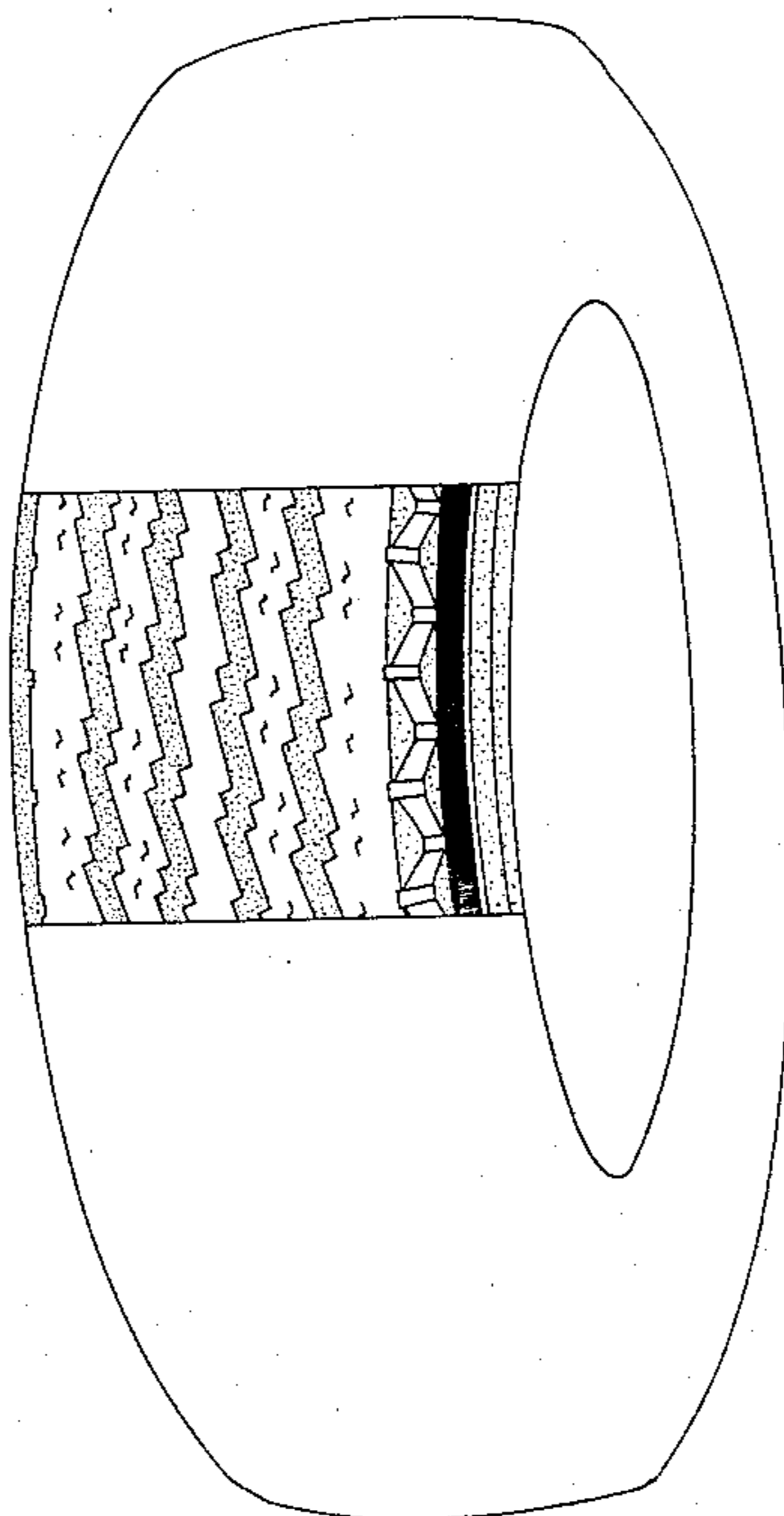
The ornamental design for a tire for a vehicle wheel, as shown and described.

**DESCRIPTION**

FIG. 1 is a perspective view of a tire for a vehicle wheel showing my new design it being understood that the tread pattern is repeated throughout the circumference of the tire as shown schematically by solid line, the opposite side being the same as that shown;

FIG. 2 is a front elevational view thereof; and

FIG. 3 is a side elevational view thereof on a reduced scale, the opposite side being a mirror image of that shown.



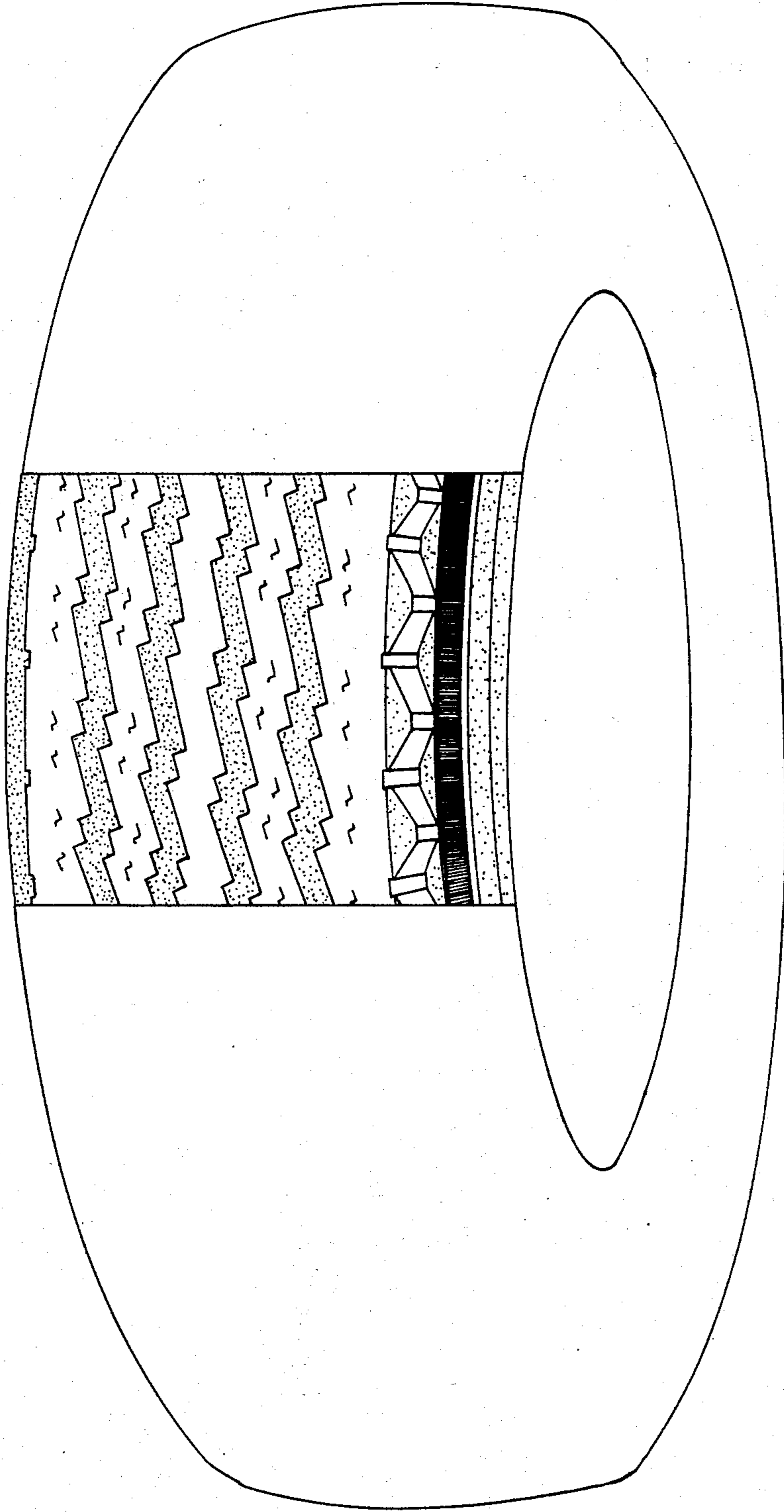


FIG 1

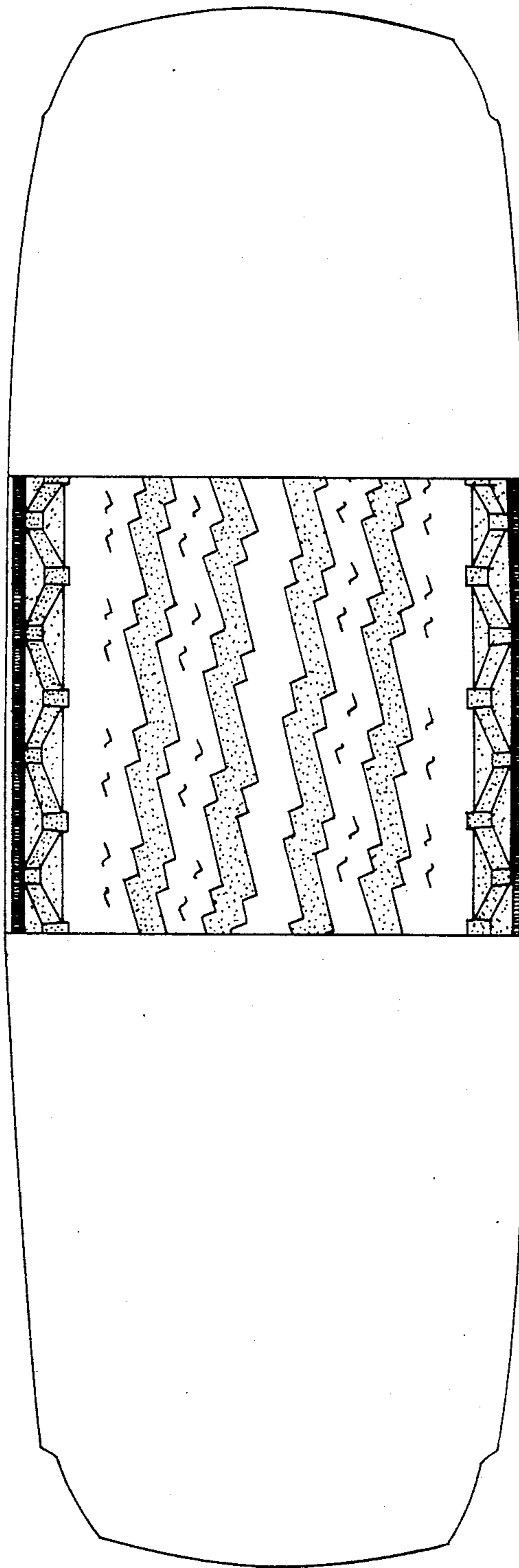


FIG 2

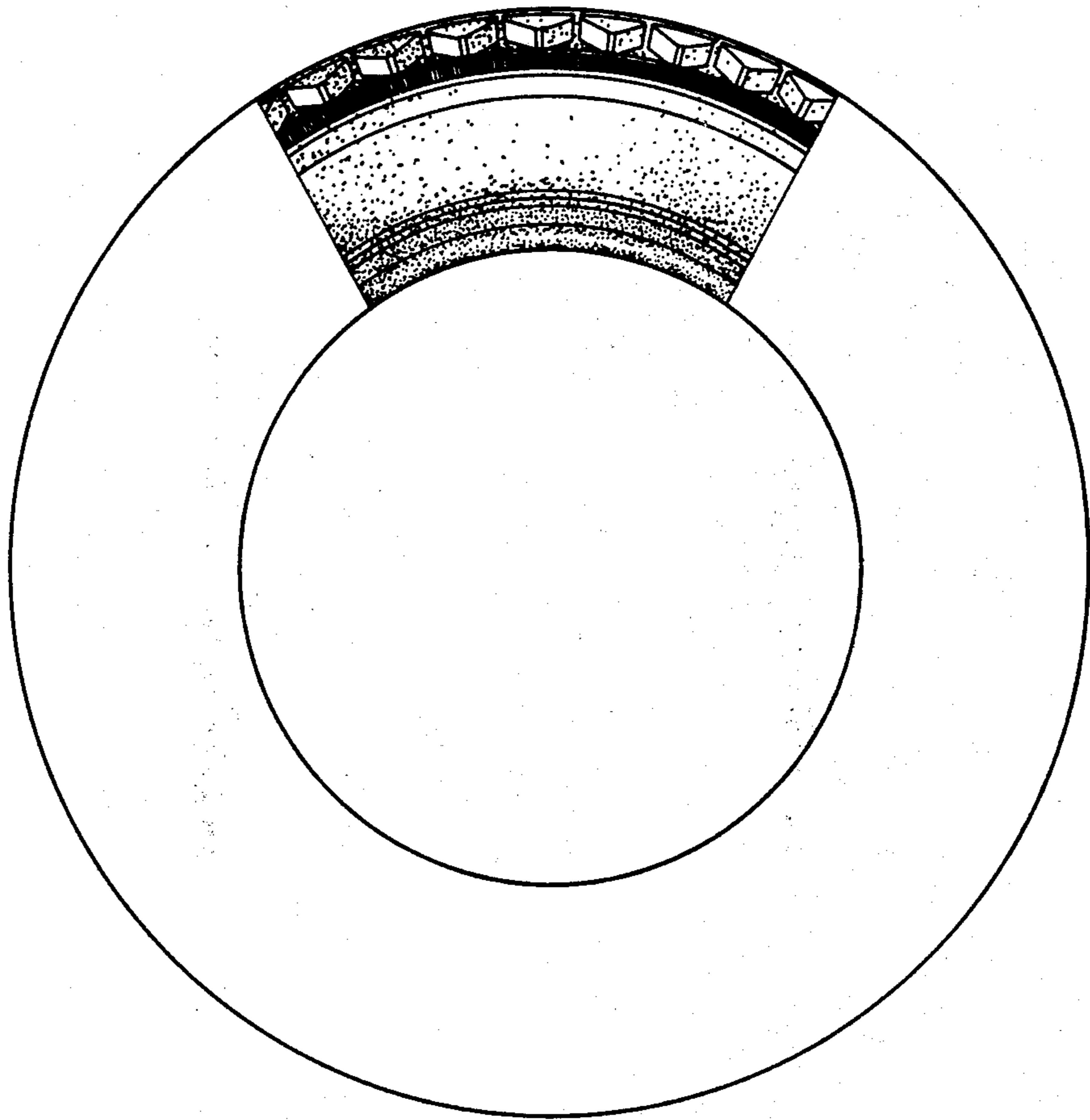


FIG 3