

[54] WHEELED WALKING FRAME

[75] Inventor: Jan-Erik Danielsson, Sala, Sweden

[73] Assignee: Rolf Ahlbergs Mekaniska Verkstad AB, Sweden

[\*\*] Term: 14 Years

[21] Appl. No.: 599,184

[22] Filed: Apr. 11, 1984

[30] Foreign Application Priority Data

Oct. 13, 1983 [SE] Sweden ..... 83-2649

[52] U.S. Cl. .... D12/130

[58] Field of Search ..... D12/131, 132, 133, 129; 280/642, 42, 242 WC, 289 WC; 188/2 F, 29; 272/70.3

[56] References Cited

U.S. PATENT DOCUMENTS

1,119,140 12/1914 Diemer ..... 280/64.2

3,584,890 6/1971 Presty ..... 272/70.3  
3,829,113 8/1974 Epelbaum ..... D12/129  
4,211,309 7/1980 Ruggiero ..... 272/70.3  
4,271,933 6/1981 Pearce et al. .... 188/2 F

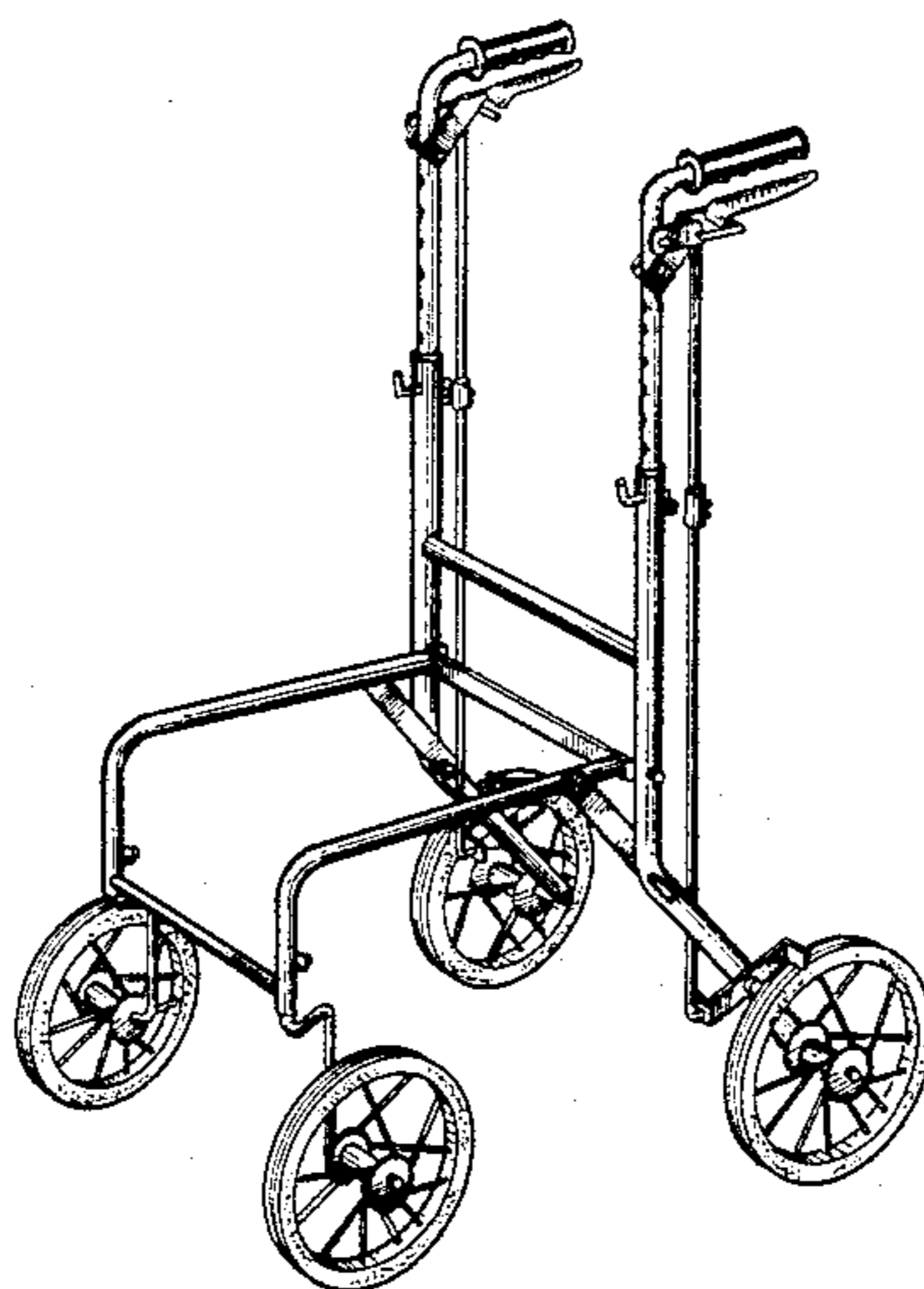
Primary Examiner—James M. Gandy  
Assistant Examiner—Kay H. Chin  
Attorney, Agent, or Firm—Witherspoon & Hargest

[57] CLAIM

The ornamental design for a wheeled walking frame, as shown and described.

DESCRIPTION

FIG. 1 is a front perspective view of the wheeled walking frame showing my new design, FIG. 2 is a back perspective view thereof with the front wheel supports having been pivoted 180°, FIG. 3 is a front perspective view thereof in collapsed condition, and FIG. 4 is a back perspective view thereof in collapsed condition.



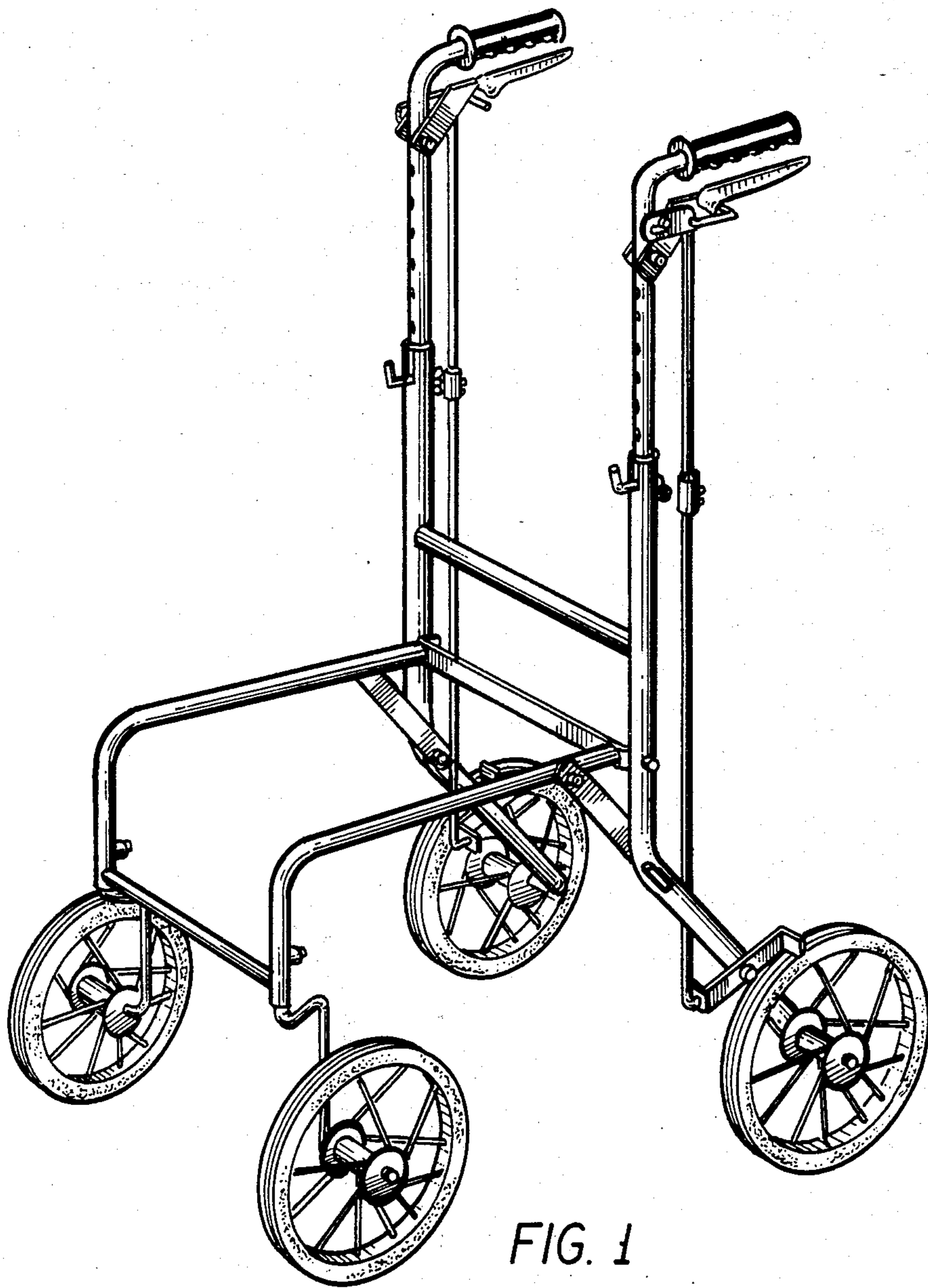


FIG. 1

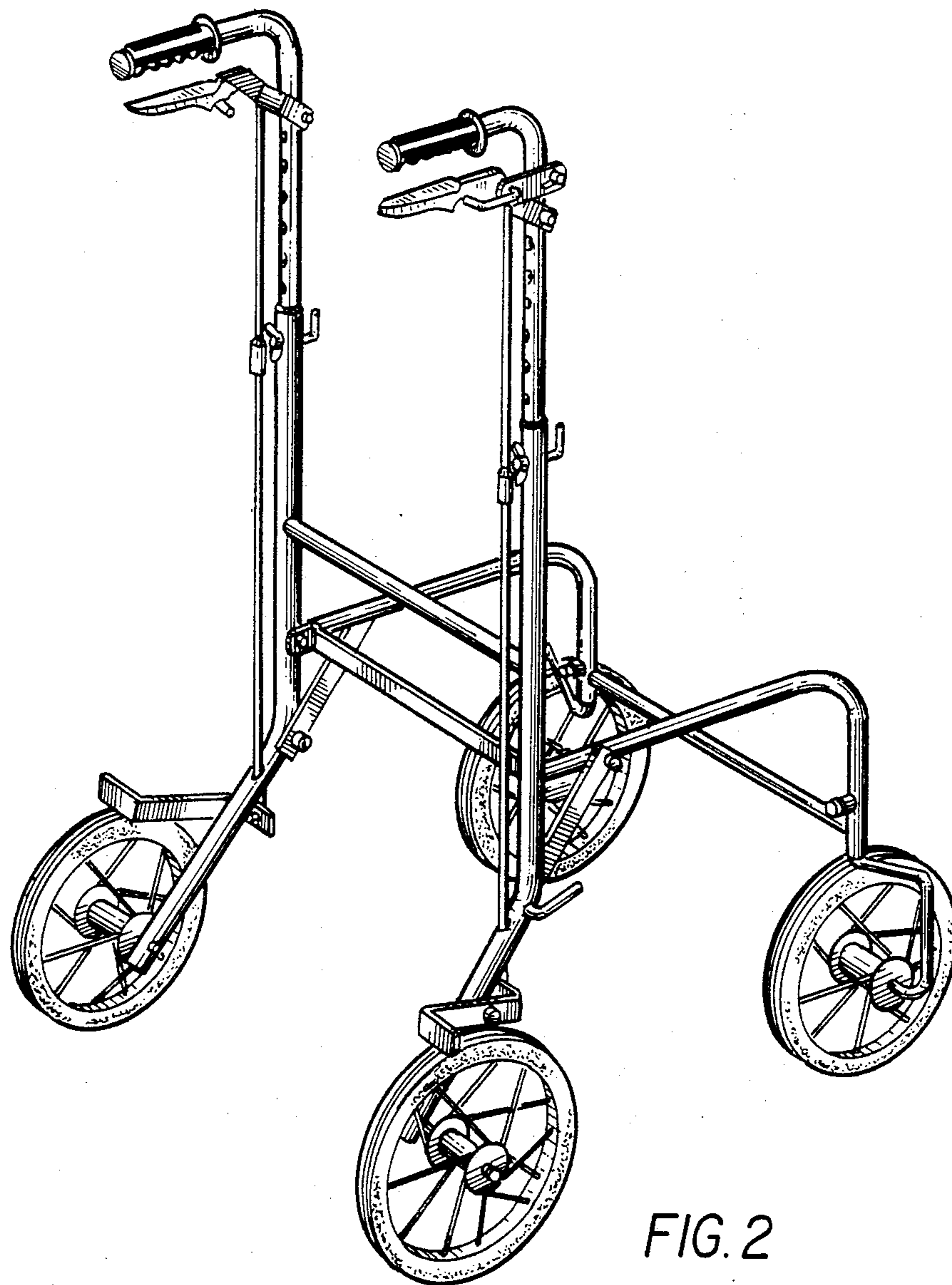


FIG. 2

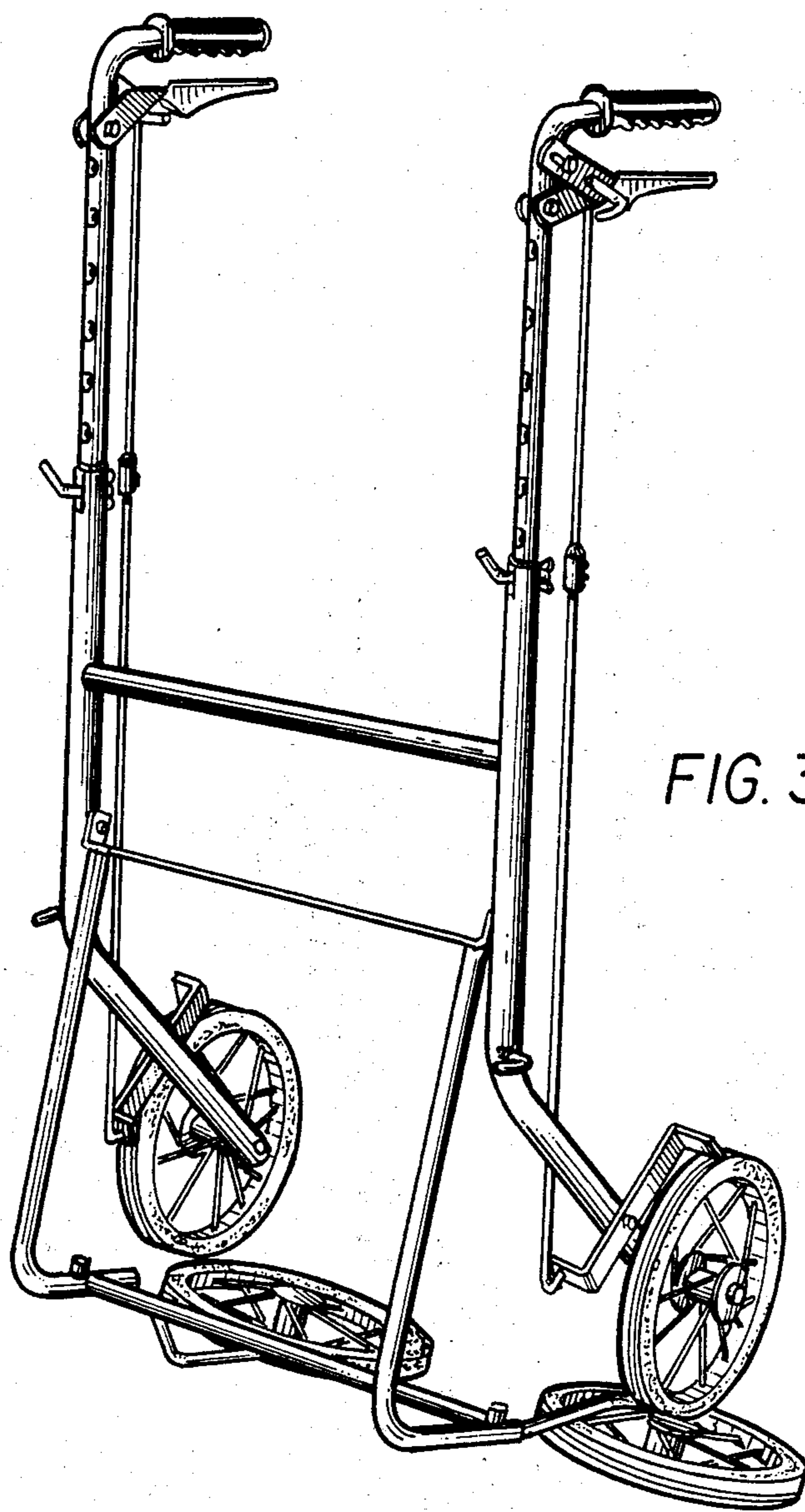


FIG. 3

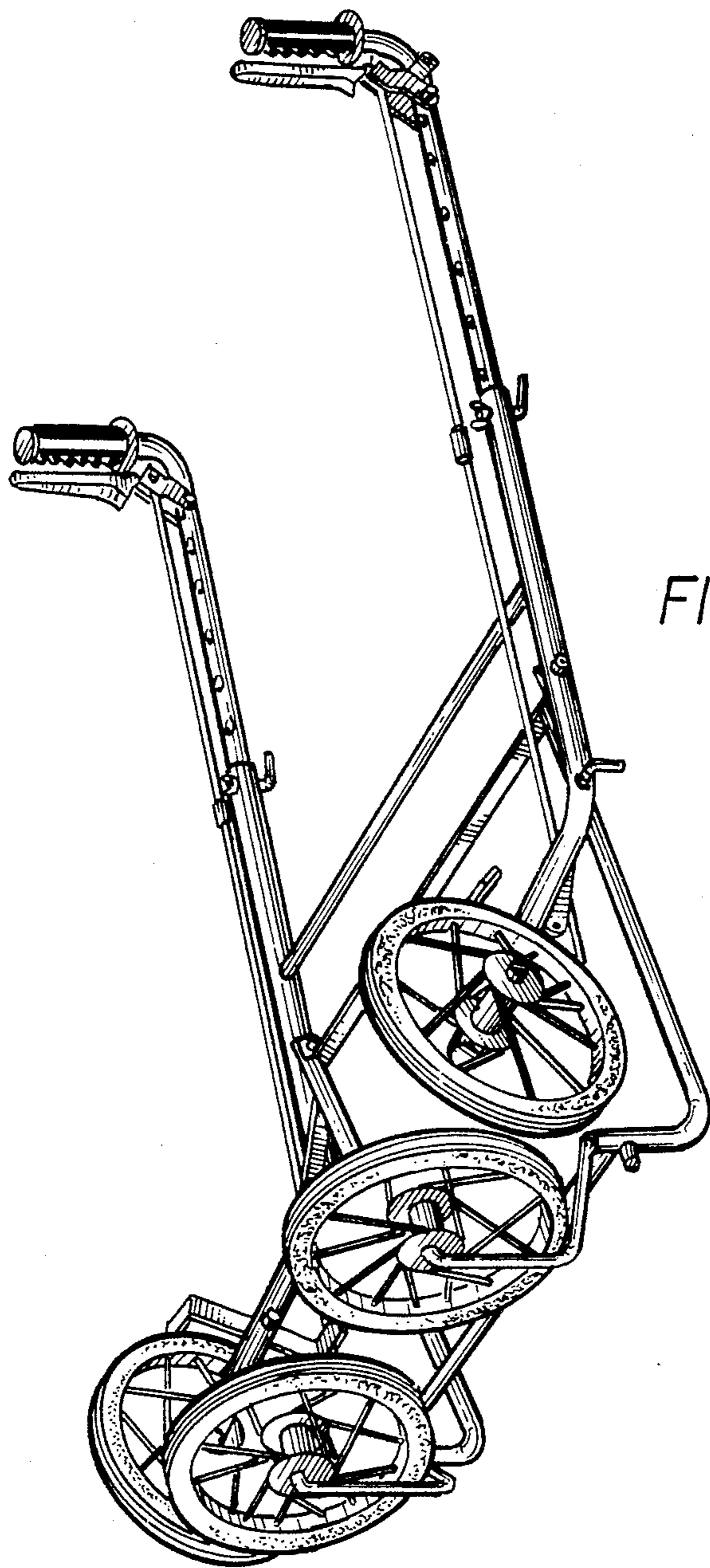


FIG. 4