

[54] **CONVEYOR CHAIN LINK**

[75] Inventors: **Roger H. Schroeder**, Hartland;
Wasyly G. Hodlewsky, Greendale,
both of Wis.

[73] Assignee: **Rexnord Inc.**, Brookfield, Wis.

[**] Term: **14 Years**

[21] Appl. No.: **690,921**

[22] Filed: **Jan. 11, 1985**

[52] U.S. Cl. **D8/499**

[58] Field of Search **D8/499; 198/779, 845,**
198/850, 851, 853; 193/35 F

[56] **References Cited**

U.S. PATENT DOCUMENTS

- 2,862,609 12/1958 **Bechtel, Jr.** 198/845
- 3,197,020 7/1965 **Evans et al.** 198/779
- 4,231,469 11/1980 **Arscott** 198/779

FOREIGN PATENT DOCUMENTS

- 0066530 12/1982 **European Pat. Off.** 198/853
- 3039637 5/1982 **Fed. Rep. of Germany** 198/779
- 0103626 1/1964 **Norway** 198/851

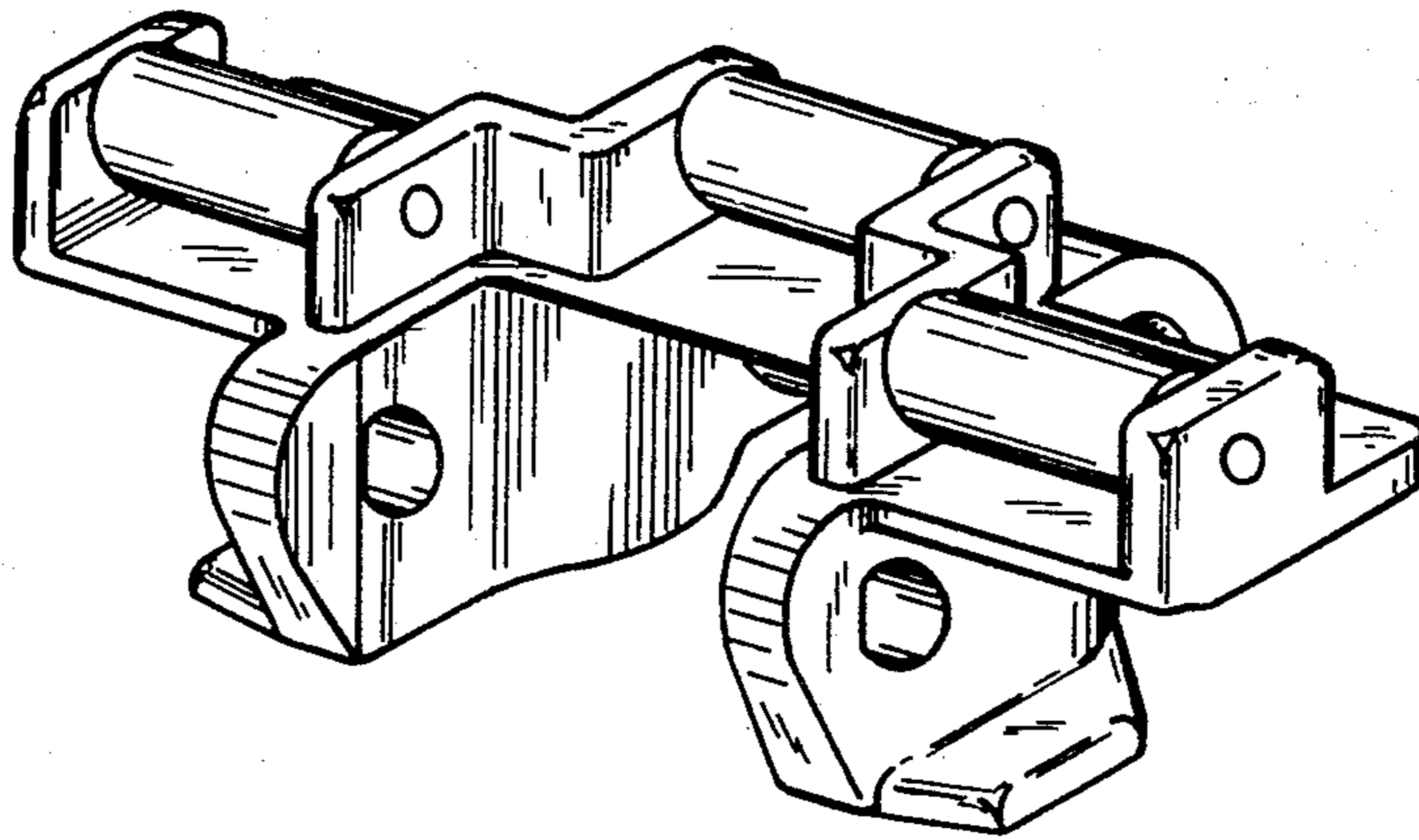
Primary Examiner—**B. J. Bullock**
Attorney, Agent, or Firm—**William L. Falk**

[57] **CLAIM**

The ornamental design for a conveyor chain link, as shown and described.

DESCRIPTION

FIG. 1 is a perspective view of a conveyor chain link showing our new design;
 FIG. 2 is a top plan view thereof;
 FIG. 3 is a left side elevational view thereof, the right being a mirror image;
 FIG. 4 is a front elevational view thereof;
 FIG. 5 is a bottom plan view thereof; and
 FIG. 6 is an inverted rear elevational view thereof.



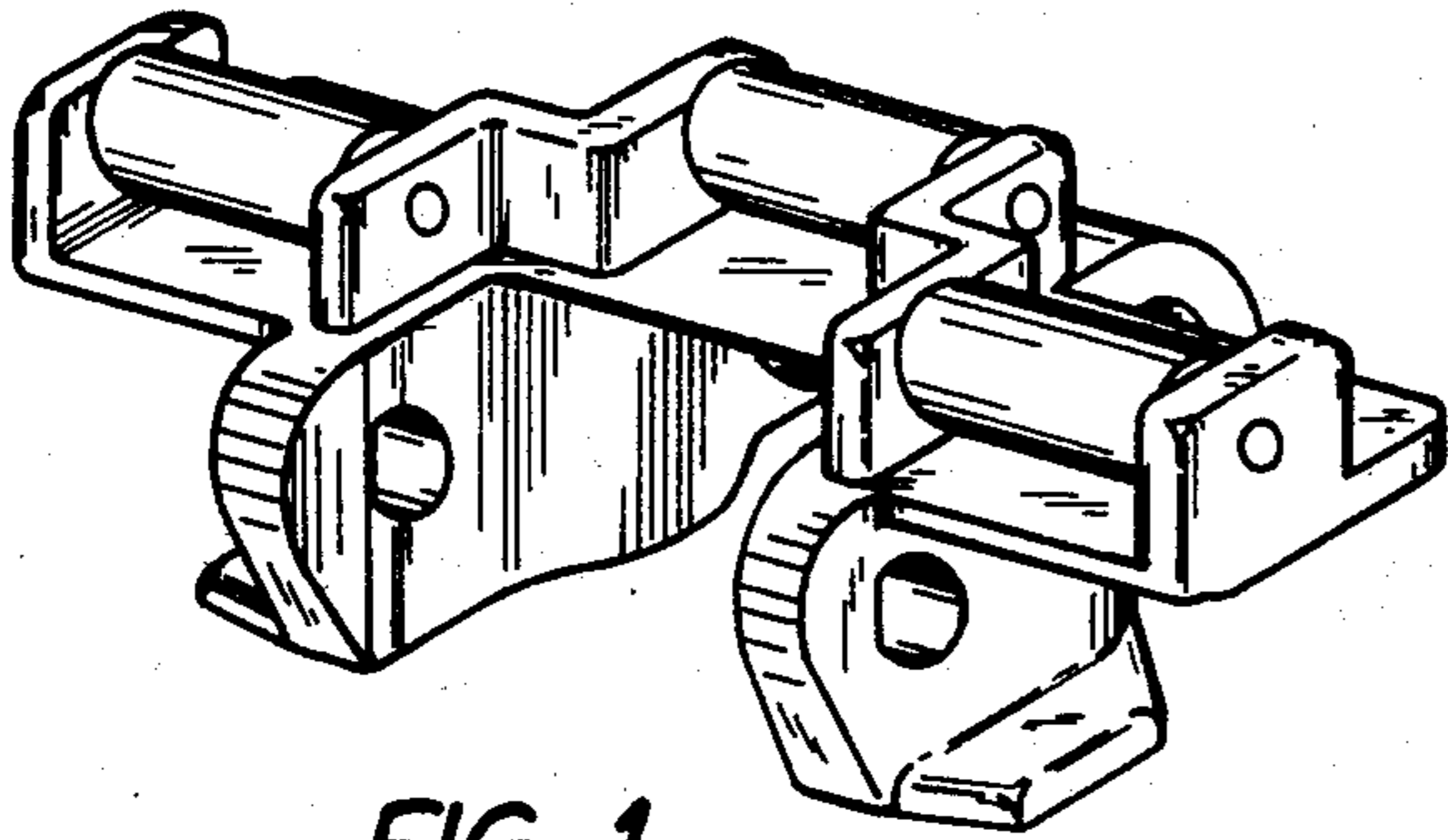


FIG. 1

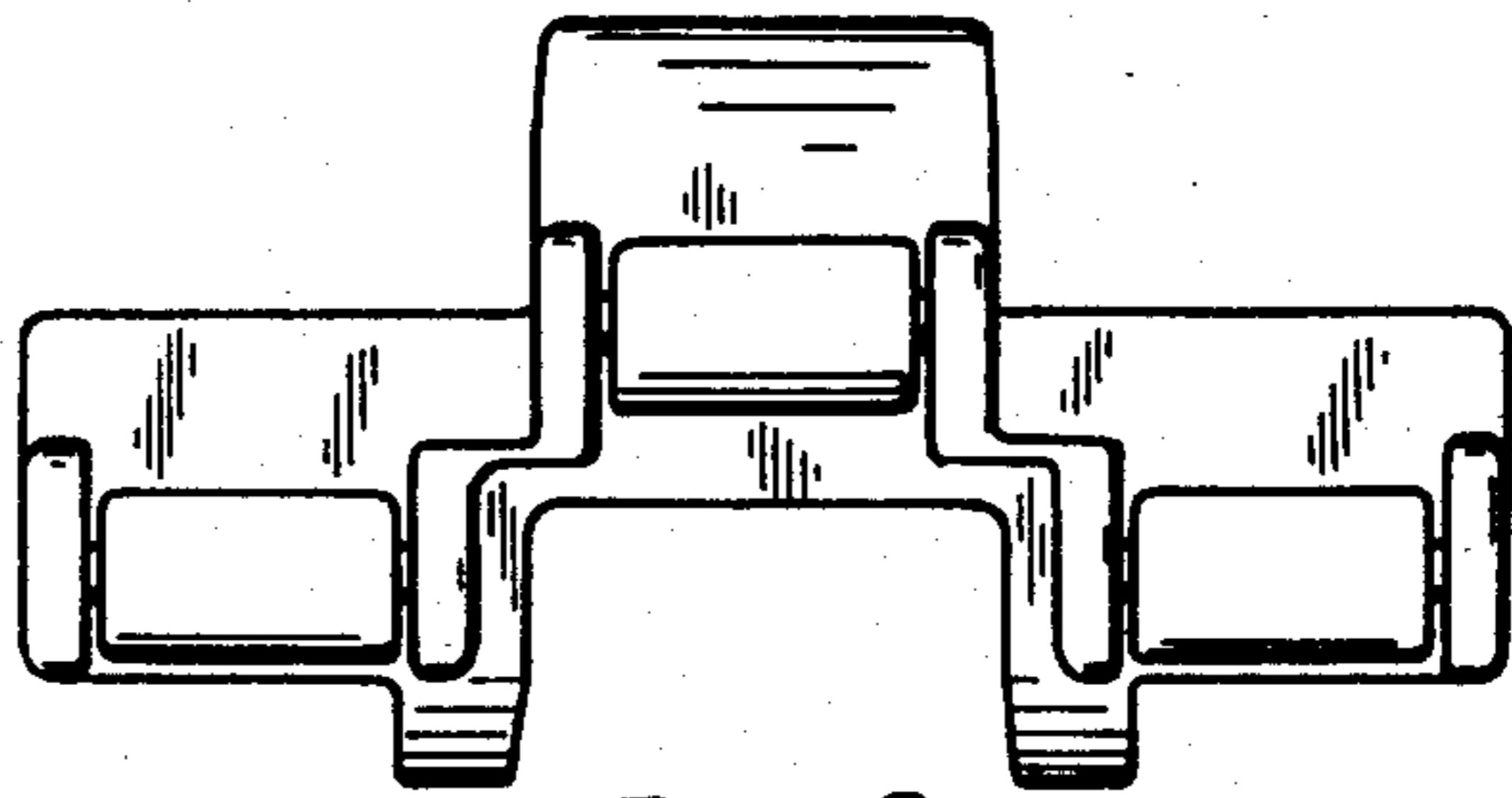


FIG. 2

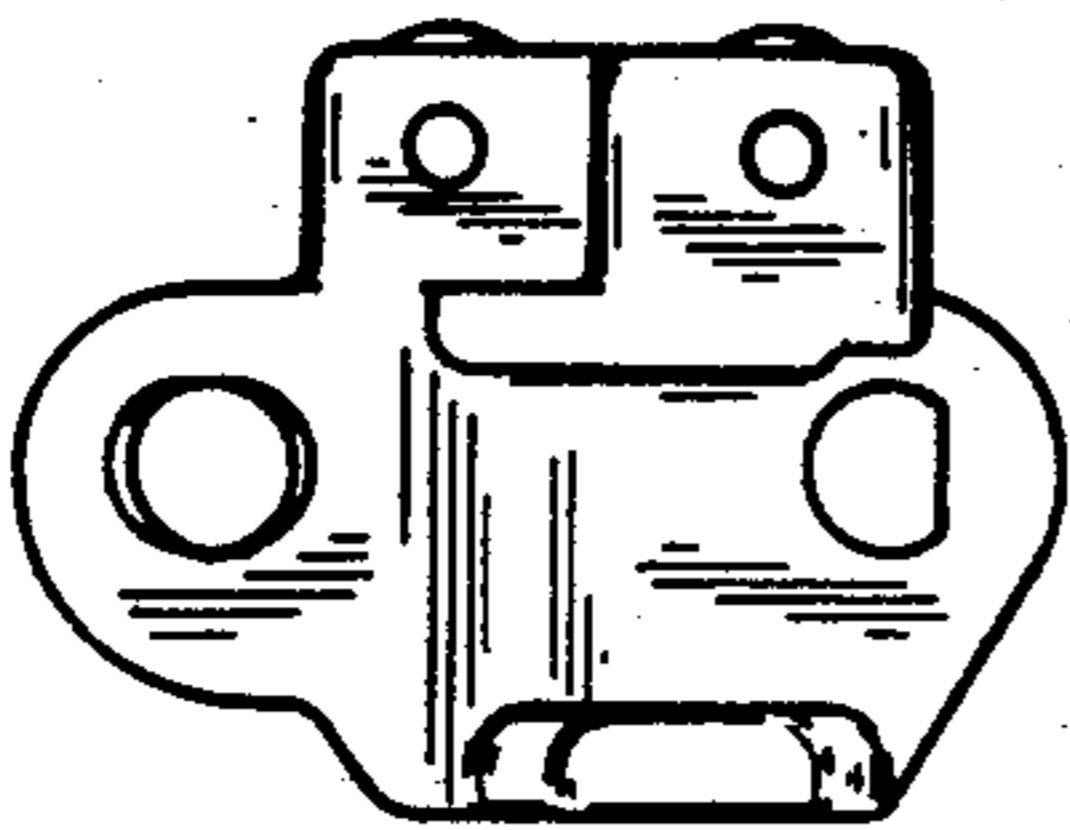


FIG. 3

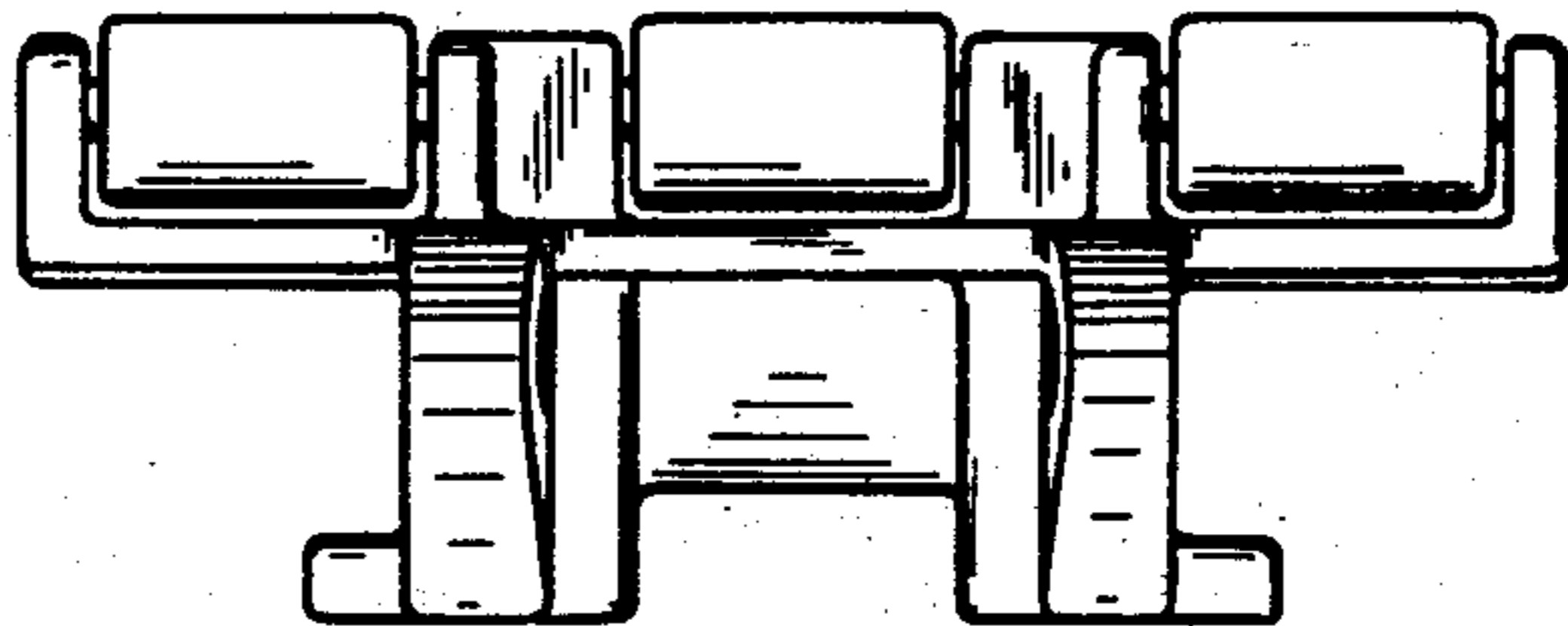


FIG. 4

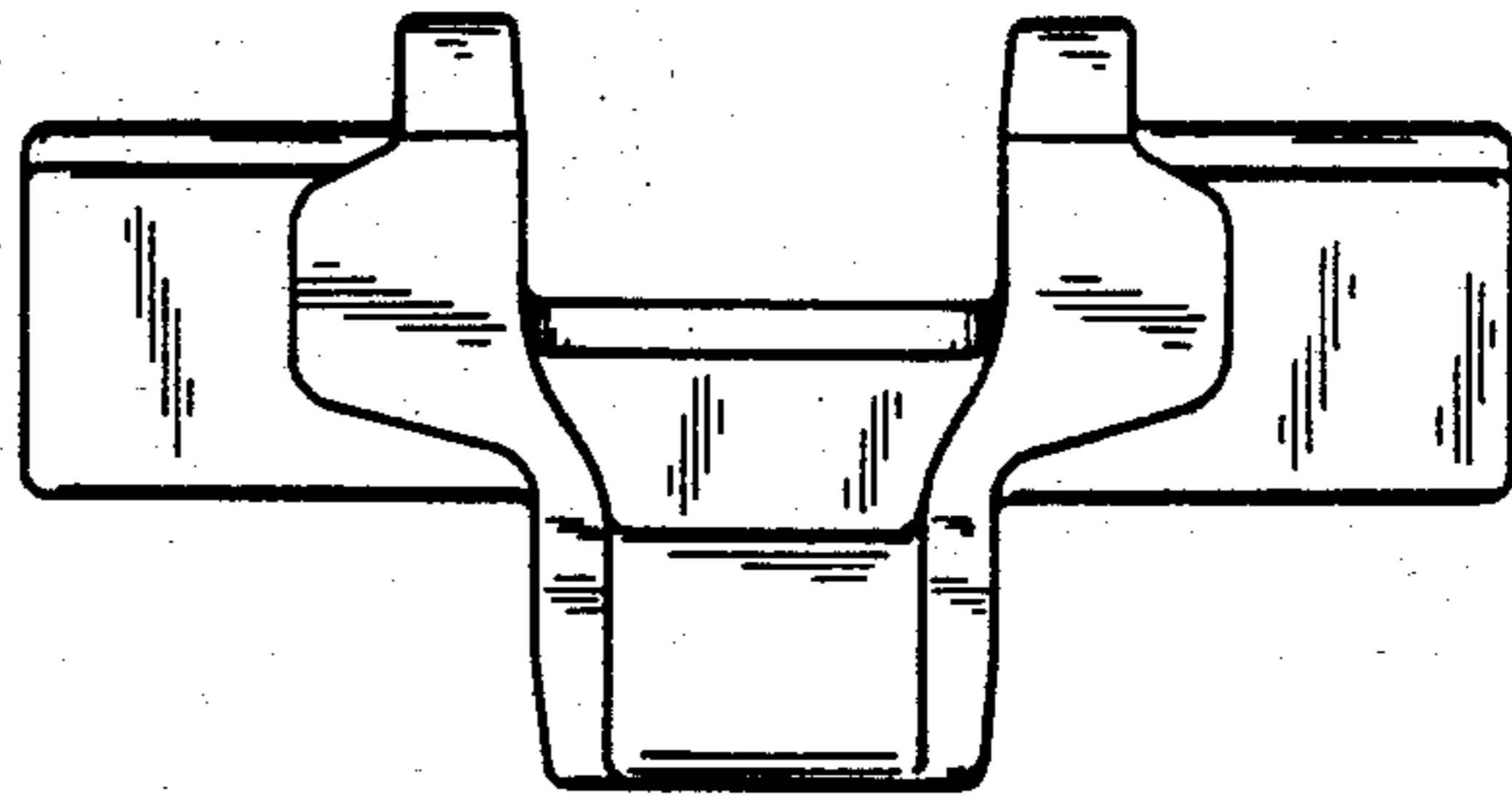


FIG. 5

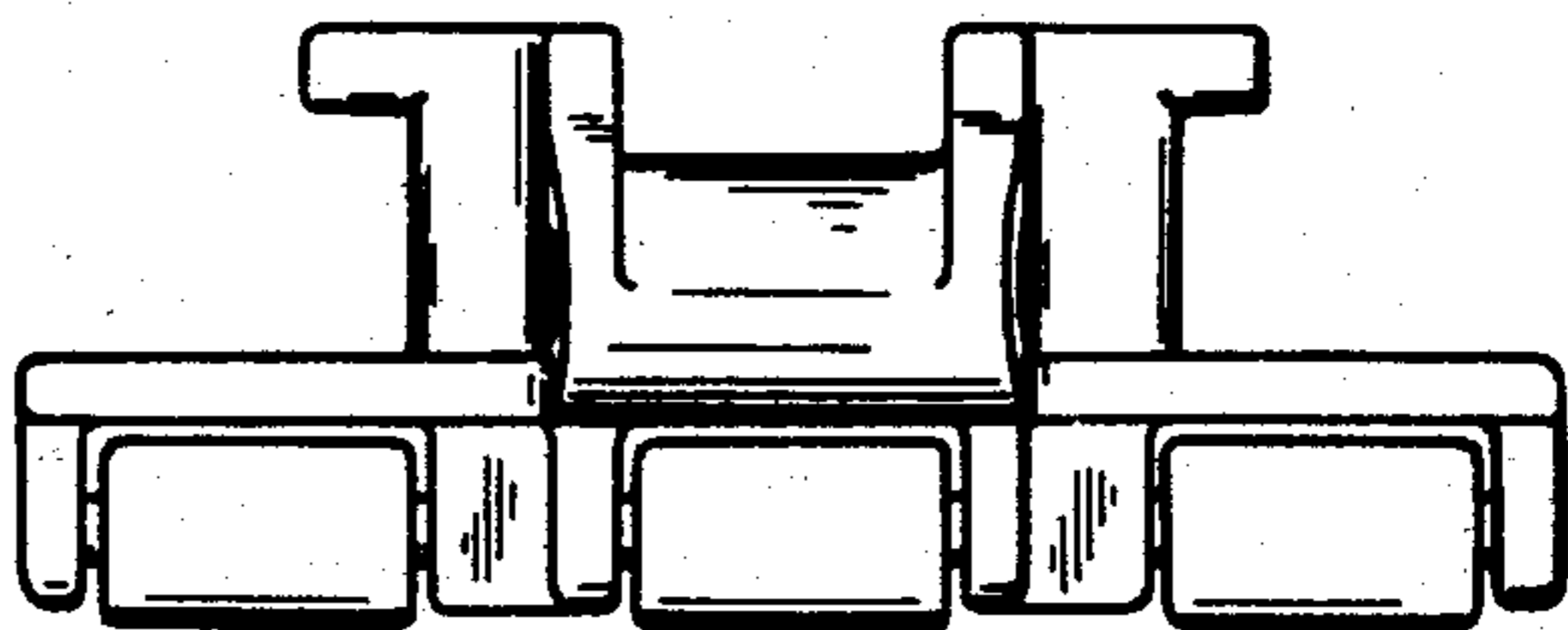


FIG. 6