

[54] **CONVEYOR CHAIN LINK**

[75] **Inventors: Roger H. Schroeder, Hartland;
Wasyly G. Hodlewsky, Greendale,
both of Wis.**

[73] **Assignee: Rexnord Inc., Brookfield, Wis.**

[**] **Term: 14 Years**

[21] **Appl. No.: 690,694**

[22] **Filed: Jan. 11, 1985**

[52] **U.S. Cl. D8/499**

[58] **Field of Search D8/499; 198/779, 845,
198/850, 851, 853; 193/35 F**

[56] **References Cited**

U.S. PATENT DOCUMENTS

2,862,609	12/1958	Bechtel, Jr.	198/845
3,197,020	7/1965	Evans et al.	198/779
4,231,469	11/1980	Arcscott	198/779

FOREIGN PATENT DOCUMENTS

0066530	12/1982	European Pat. Off.	198/853
3039637	5/1982	Fed. Rep. of Germany	198/779
0103626	1/1964	Norway	198/851

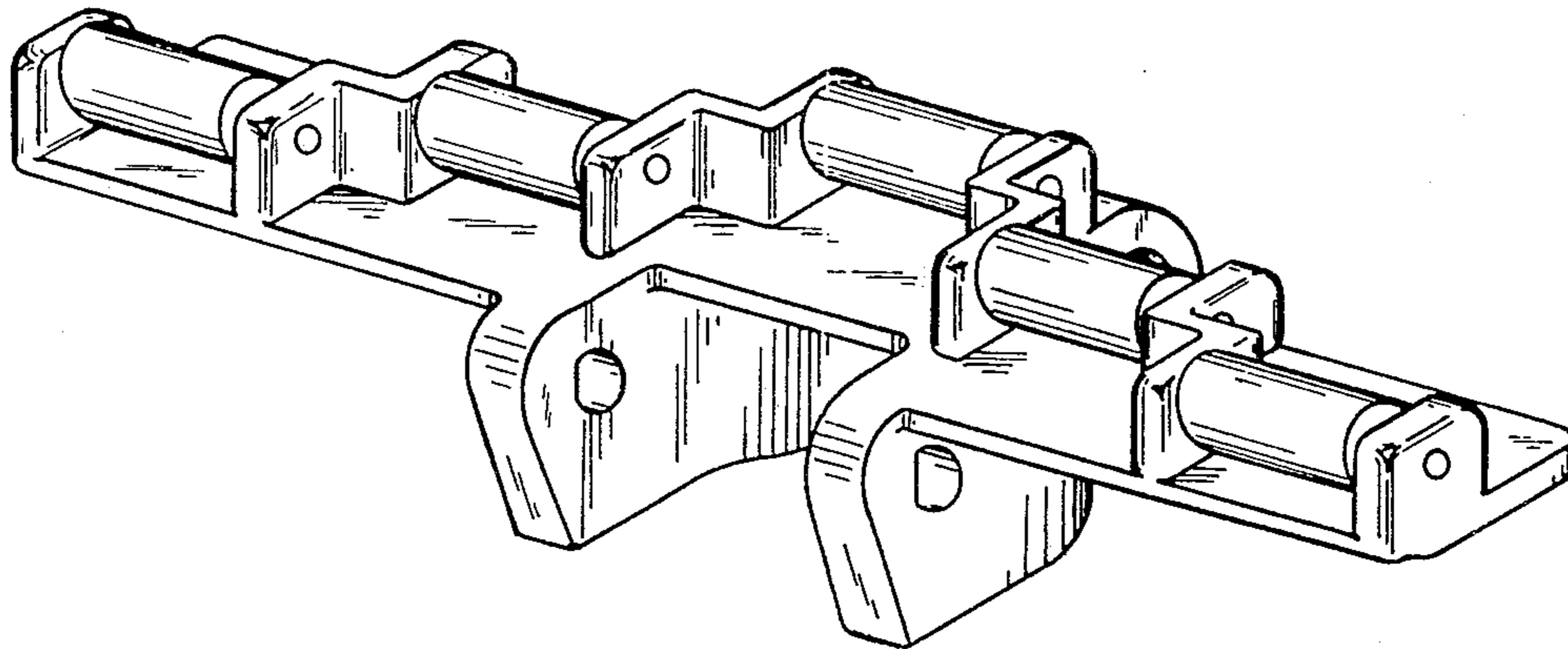
Primary Examiner—B. J. Bullock
Attorney, Agent, or Firm—William L. Falk

[57] **CLAIM**

The ornamental design for a conveyor chain link, as shown and described.

DESCRIPTION

FIG. 1 is a perspective view of a conveyor chain link showing our new design;
FIG. 2 is a top plan view thereof;
FIG. 3 is a left side elevational view thereof, the right being a mirror image;
FIG. 4 is a front elevational view thereof;
FIG. 5 is a bottom plan view thereof; and
FIG. 6 is an inverted rear elevational view thereof.



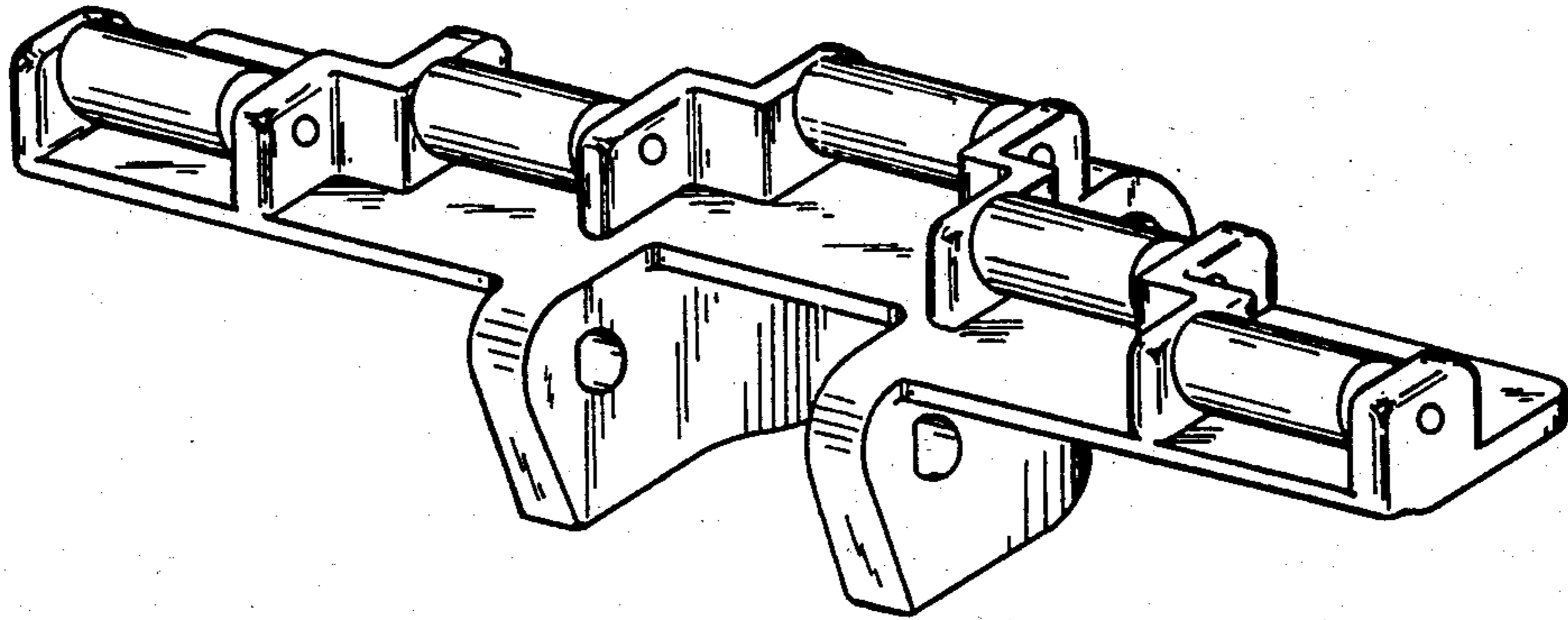


FIG. 1

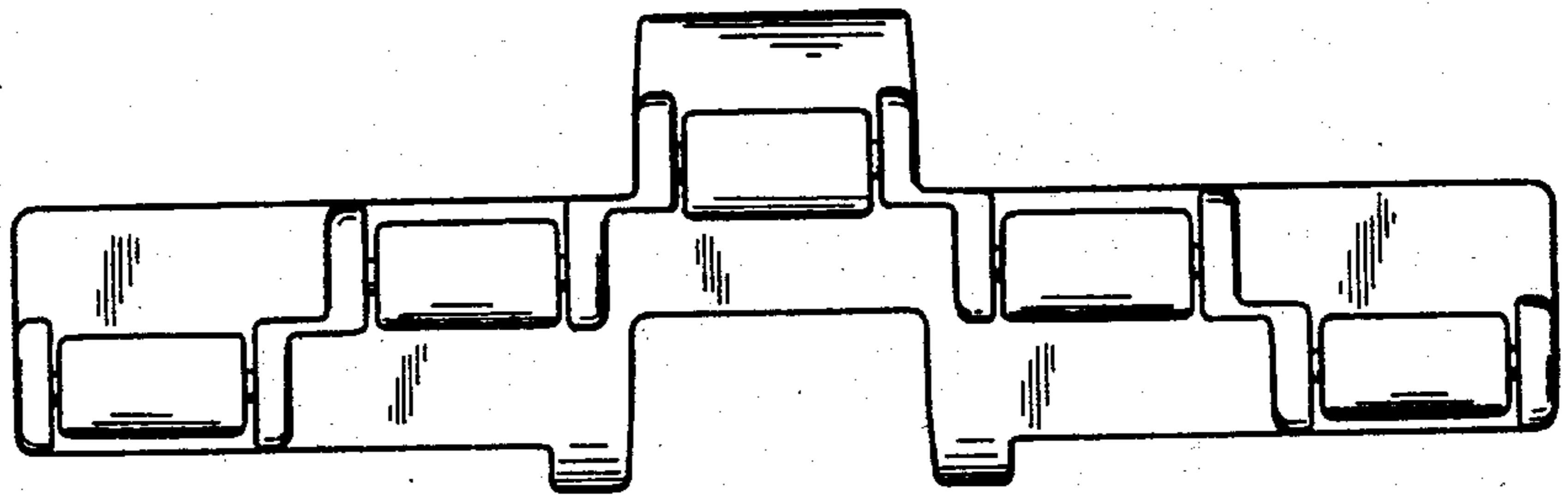


FIG. 2

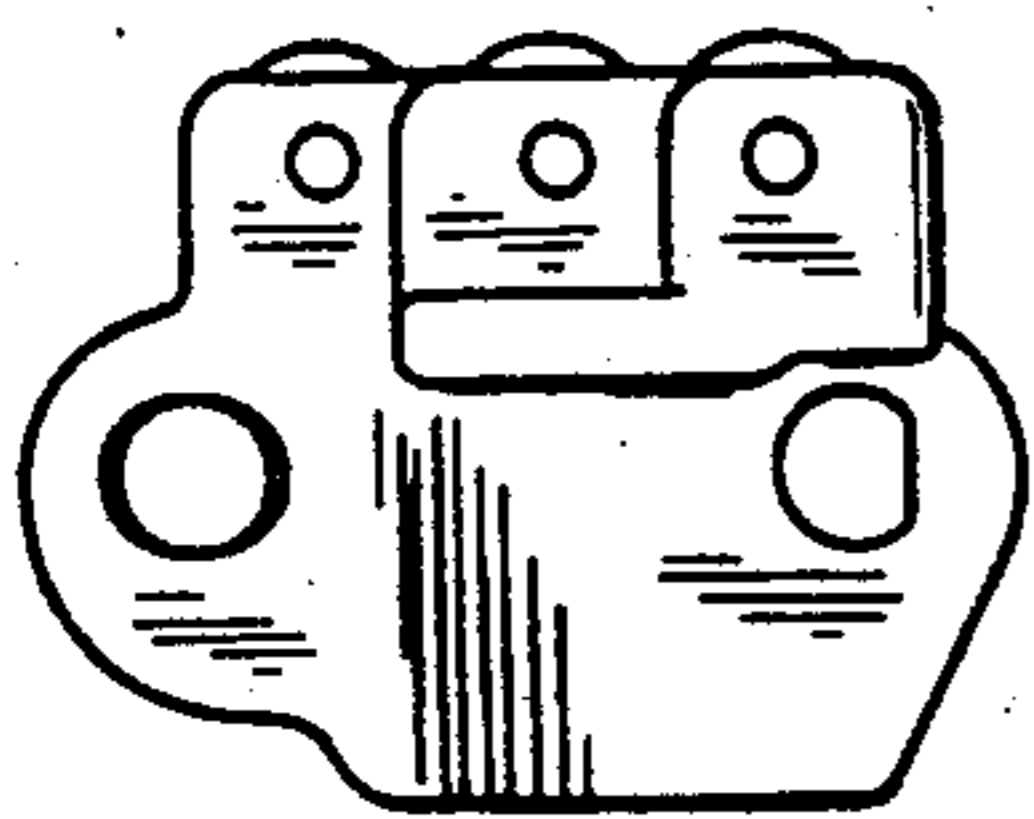


FIG. 3

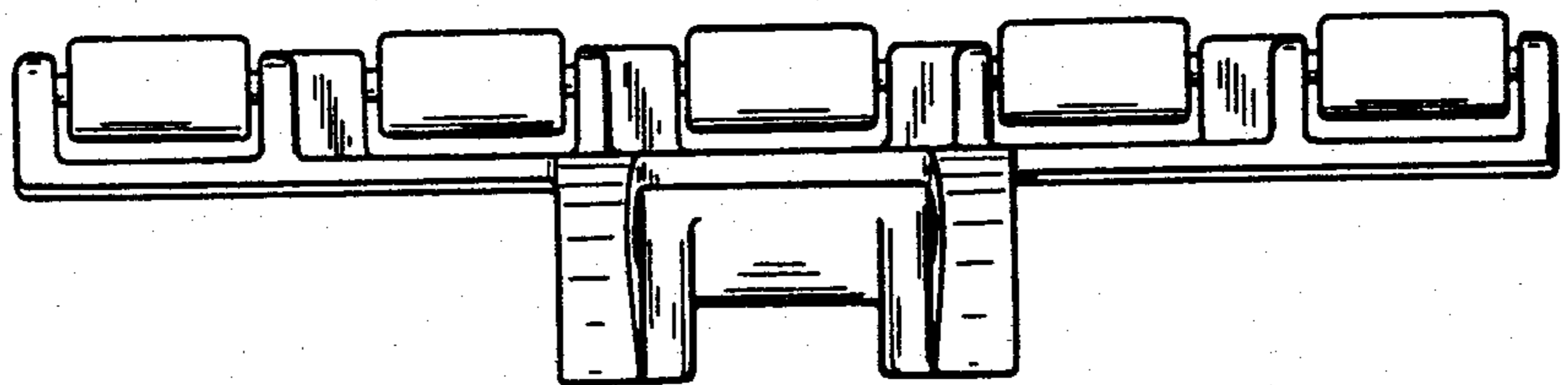


FIG. 4

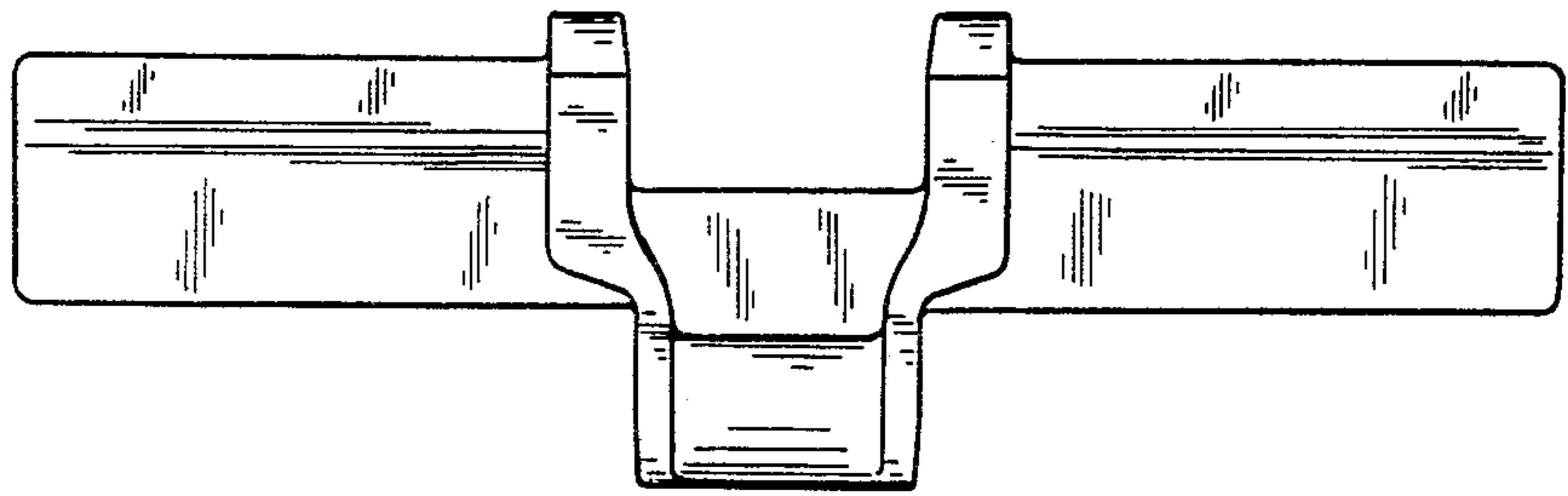


FIG. 5

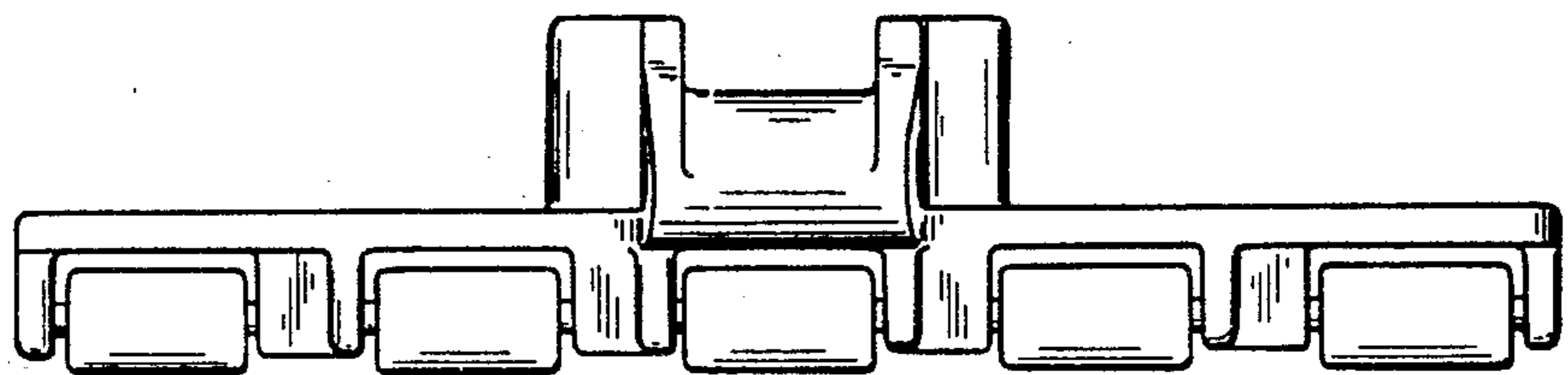


FIG. 6