

[54] SWIM SHELF PLATFORM BRACKET

[76] Inventor: Paul W. Rice, 1811 Surfside Pl., Byron, Calif. 94514

[**] Term: 14 Years

[21] Appl. No.: 663,327

[22] Filed: Oct. 18, 1984

[52] U.S. Cl. D8/381

[58] Field of Search D8/380, 381; 248/253, 248/235; 108/252, 182; D6/567; 211/181; D11/44, 50; D21/73, 157; D12/317, 318

[56] References Cited

U.S. PATENT DOCUMENTS

D12,411	8/1881	Rarkentin	D8/381
D152,783	2/1949	Hess	D11/50
D261,374	10/1981	Caruajales et al.	D21/157
D265,074	6/1982	Ornatek	D21/157
438,089	10/1890	Walters	108/152
541,114	6/1895	Nolan	248/235
591,664	10/1897	Badanes	242/235

687,371	11/1901	Dreisbach	108/153
1,189,098	6/1916	Hall	108/152
1,683,944	9/1928	Balch	108/152
1,727,032	9/1929	Guignon, Jr.	248/235

OTHER PUBLICATIONS

Boating Equipment Guide, 1983, Rec'd 2/22/83; Teak Swim Platform, P 69, upper right.

Primary Examiner—Wallace R. Burke

Assistant Examiner—Horace B. Fay

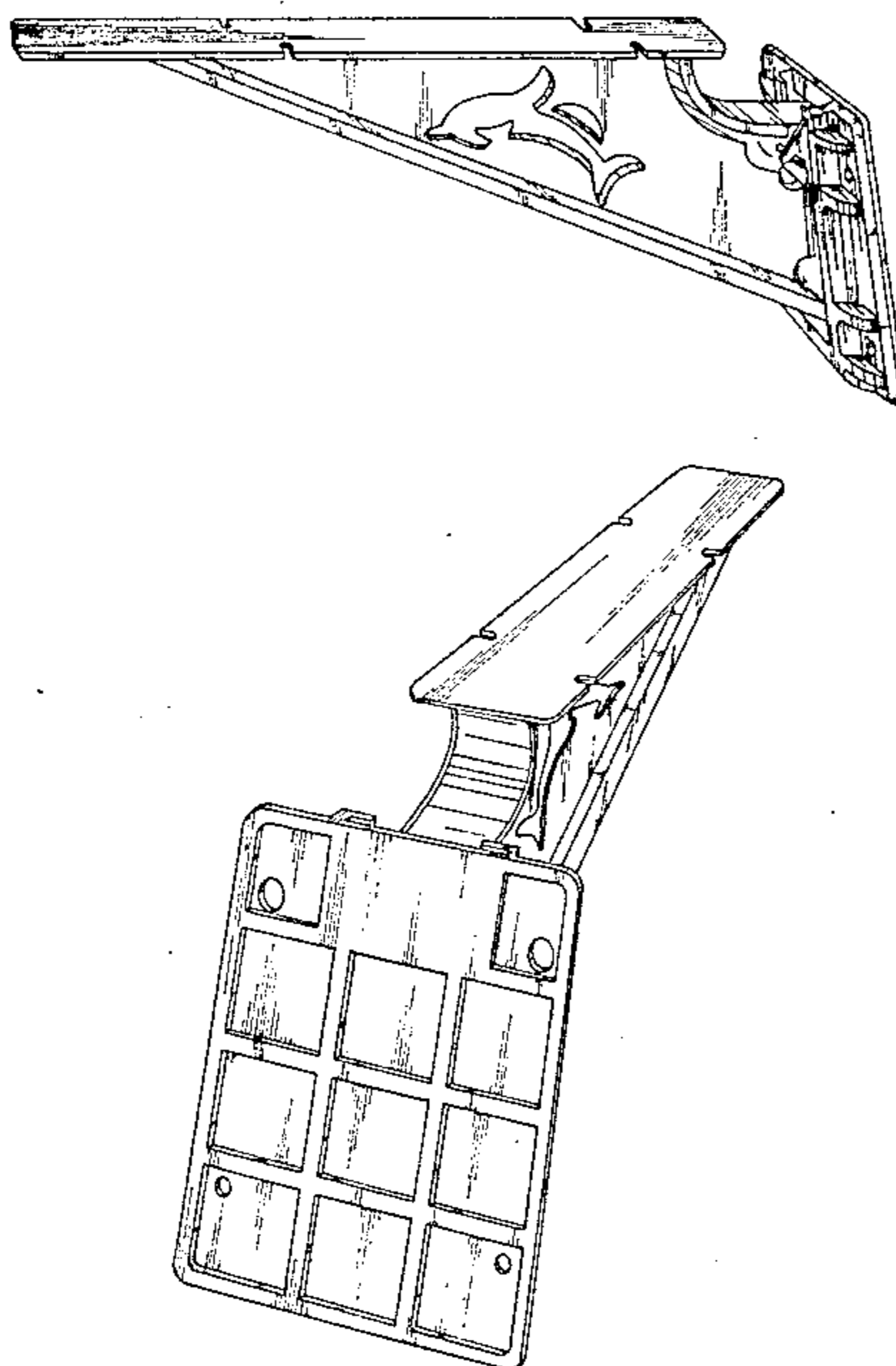
Attorney, Agent, or Firm—David Pressman

[57] CLAIM

The ornamental design for a swim shelf platform bracket, as shown and described.

DESCRIPTION

FIG. 1 is a left side and top perspective view of a swim shelf platform bracket showing my new design; FIG. 2 is a bottom plan view thereof; FIG. 3 is a right side and top perspective view thereof; and FIG. 4 is a front and top perspective view thereof.



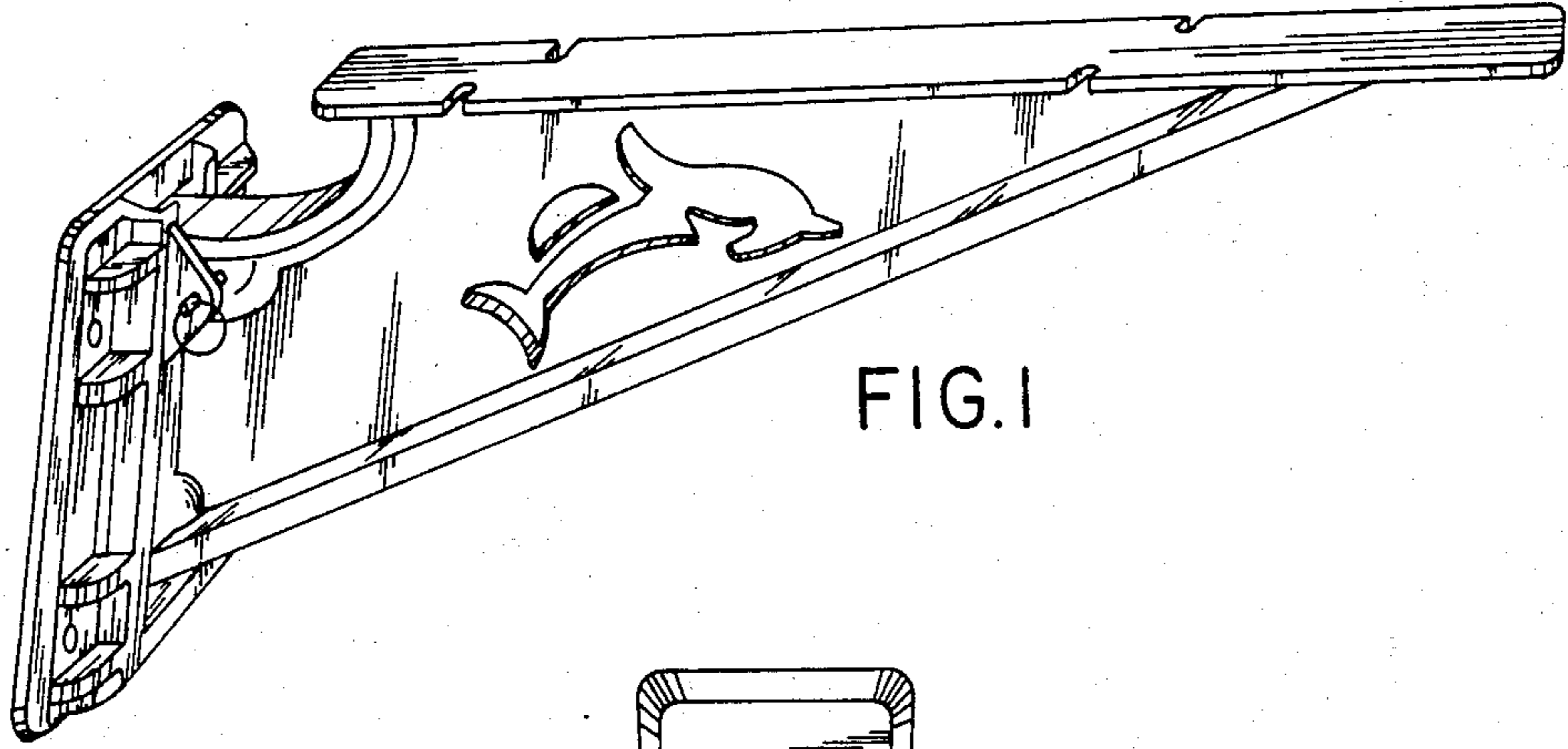


FIG. 1

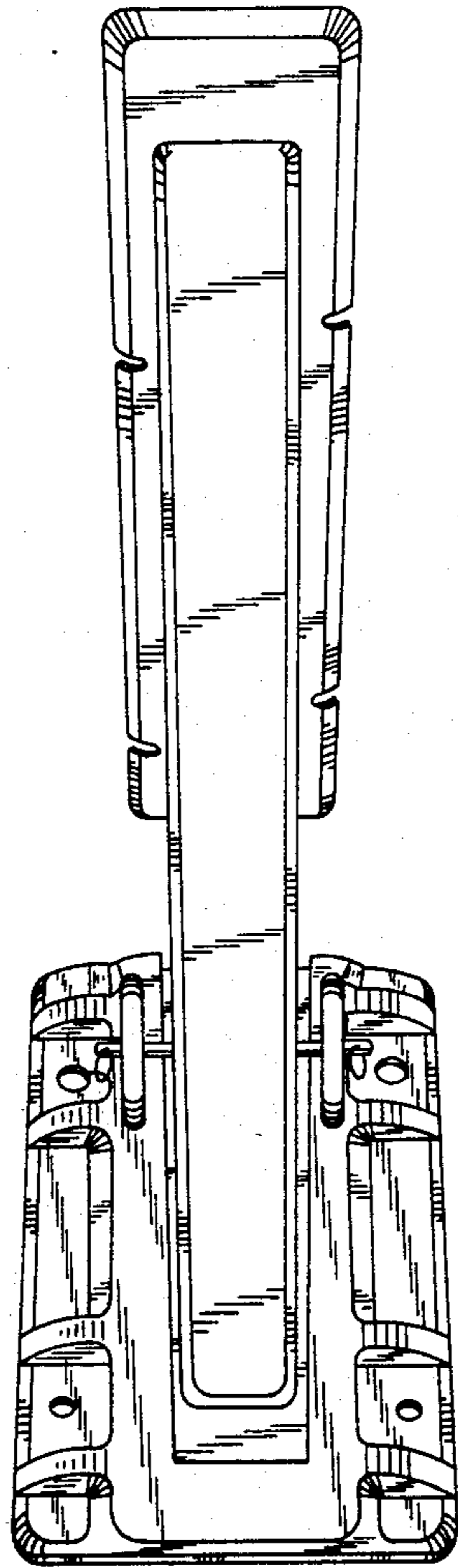


FIG. 2

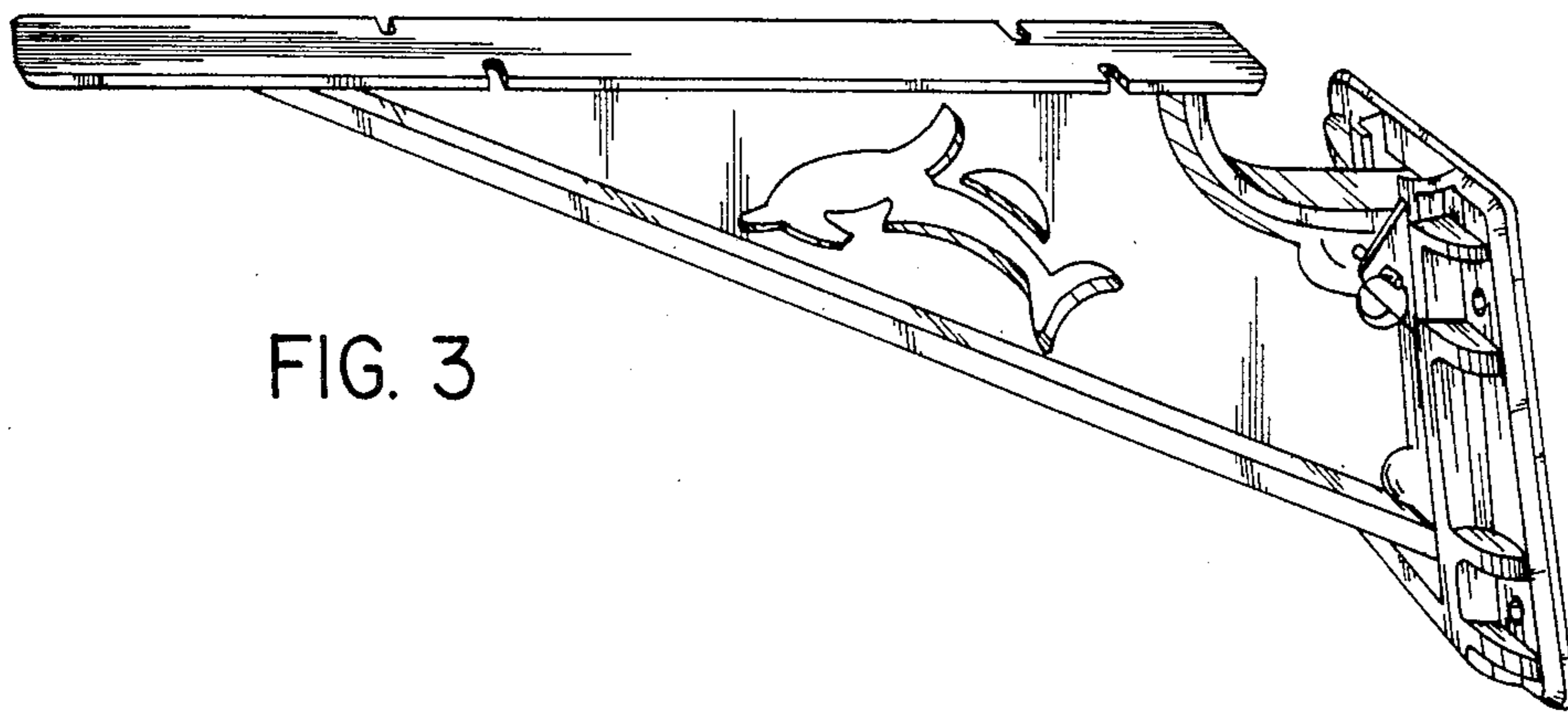


FIG. 3

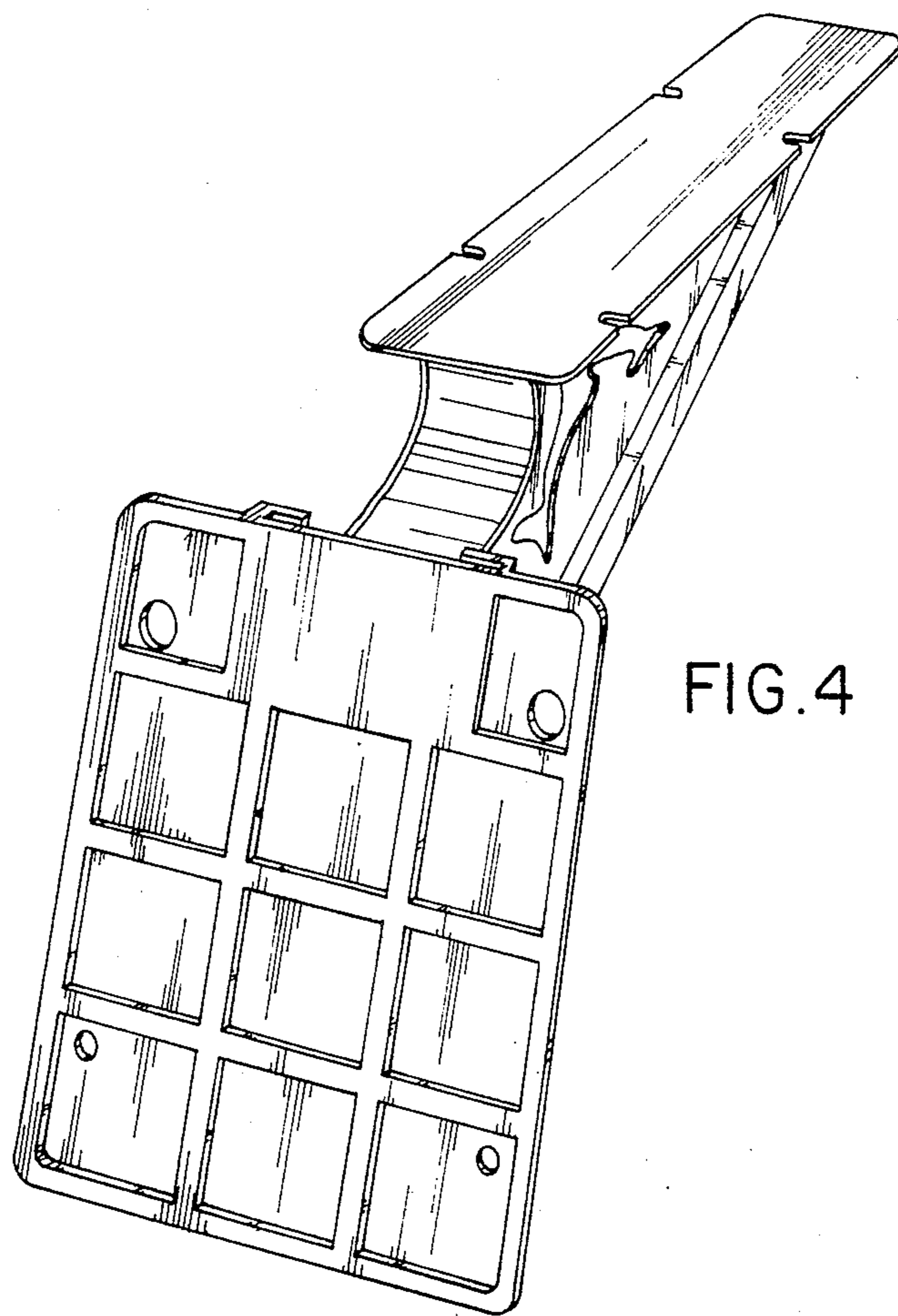


FIG. 4