

[54] INSULATING MEMBER FOR LIVESTOCK-ENCLOSURE FENCES

[76] Inventor: Gert A. N. Monell, Bondarp, 578 00 Arneby, Sweden

[**] Term: 14 Years

[21] Appl. No.: 684,017

[22] Filed: Dec. 20, 1984

[30] Foreign Application Priority Data

Jun. 21, 1984 [SE] Sweden 84-1857

[52] U.S. Cl. D8/364; D13/17; 174/149 R; 52/697; D25/77

[58] Field of Search D8/364; D25/77; D13/17, D13/18; 174/149 R, 45 R; 52/697; 256/35, 47, 32, 50; 403/326, 47

[56] References Cited

U.S. PATENT DOCUMENTS

- D. 203,676 2/1966 Kane D8/364
- D. 210,665 4/1968 Rhude D25/77
- D. 270,365 8/1983 Hawk D25/77
- 974,207 11/1910 Thompson 52/697
- 1,147,757 7/1915 Seyler 174/149 R
- 1,238,976 4/1917 Zika D25/77
- 2,163,954 6/1939 Lucas 174/149 R
- 3,240,863 3/1966 Brede 174/45 R
- 3,649,740 3/1972 Boyer et al. 52/697
- 4,054,256 10/1977 Buck et al. 248/219.4

4,436,284 3/1984 Varela-Hernandez 256/35

FOREIGN PATENT DOCUMENTS

564323 10/1923 France 52/697
743175 1/1933 France D13/17

OTHER PUBLICATIONS

Industrial Design, Nov. '64, at p. 68: Line Support Structure for Power Transmission.
Transmission & Distribution, Dec. 1978: at p. 87, He-ther-Lite Fiberglas Brackets by Plastigage Corp. ad.
Electrical World, Feb. 15, 1972, at p. 106: Transmission Structure by Chance.

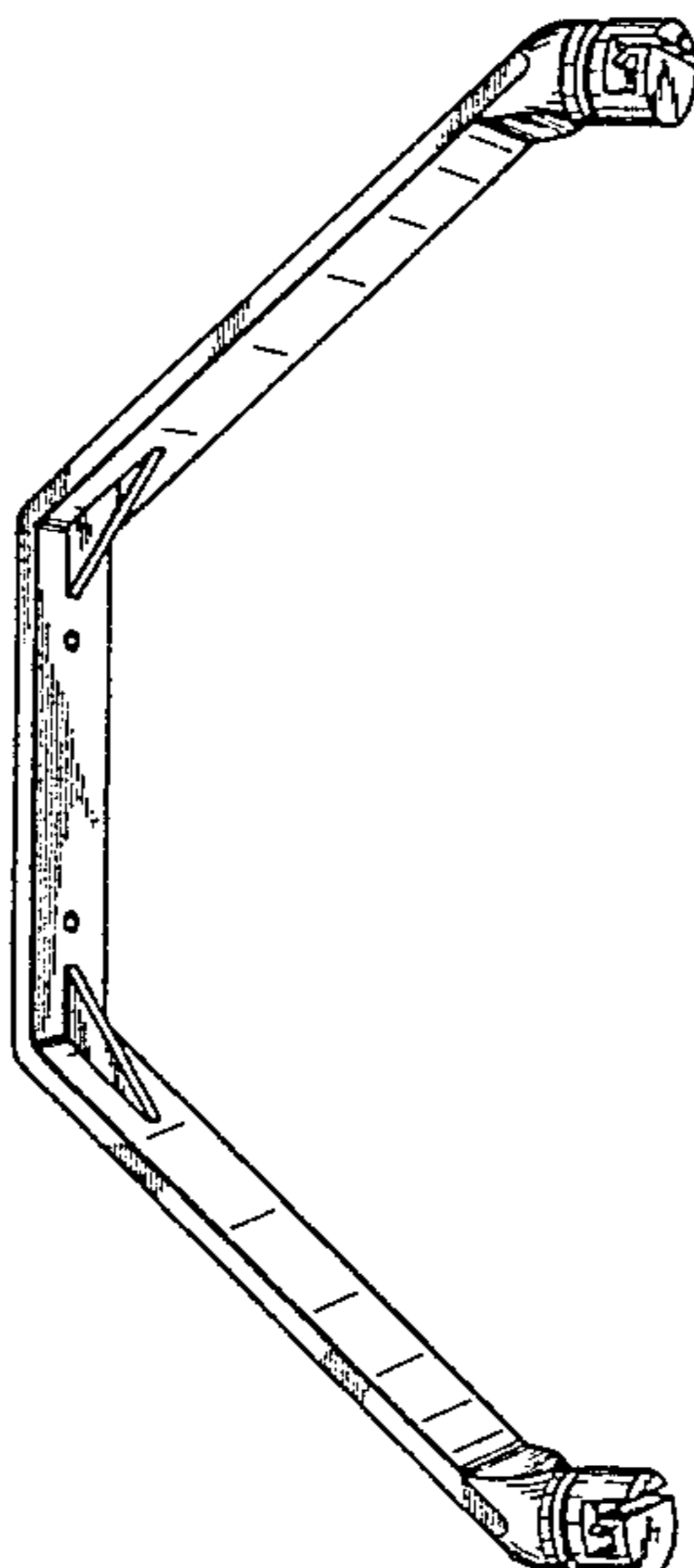
Primary Examiner—Wallace R. Burke
Assistant Examiner—Horace B. Fay
Attorney, Agent, or Firm—Harness, Dickey & Pierce

[57] CLAIM

The ornamental design for an insulating member for livestock-enclosure fences, substantially as shown and described.

DESCRIPTION

FIG. 1 is a front elevational view of an insulating mem-ber for livestock-enclosure fences showing my new design;
FIG. 2 is a left side elevational view thereof, the side opposite being a mirror image;
FIG. 3 is a rear elevational view thereof; and
FIG. 4 is a left side and front perspective view thereof.



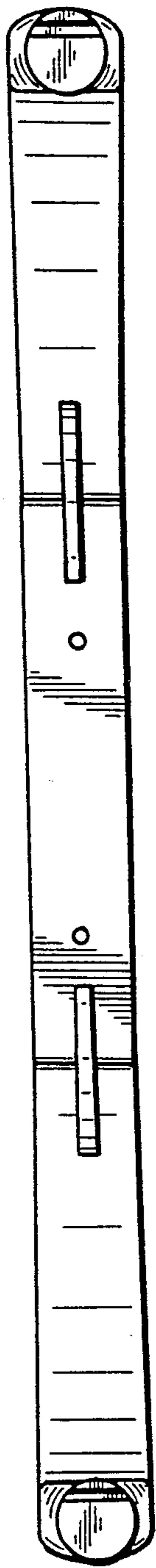


Fig. 1

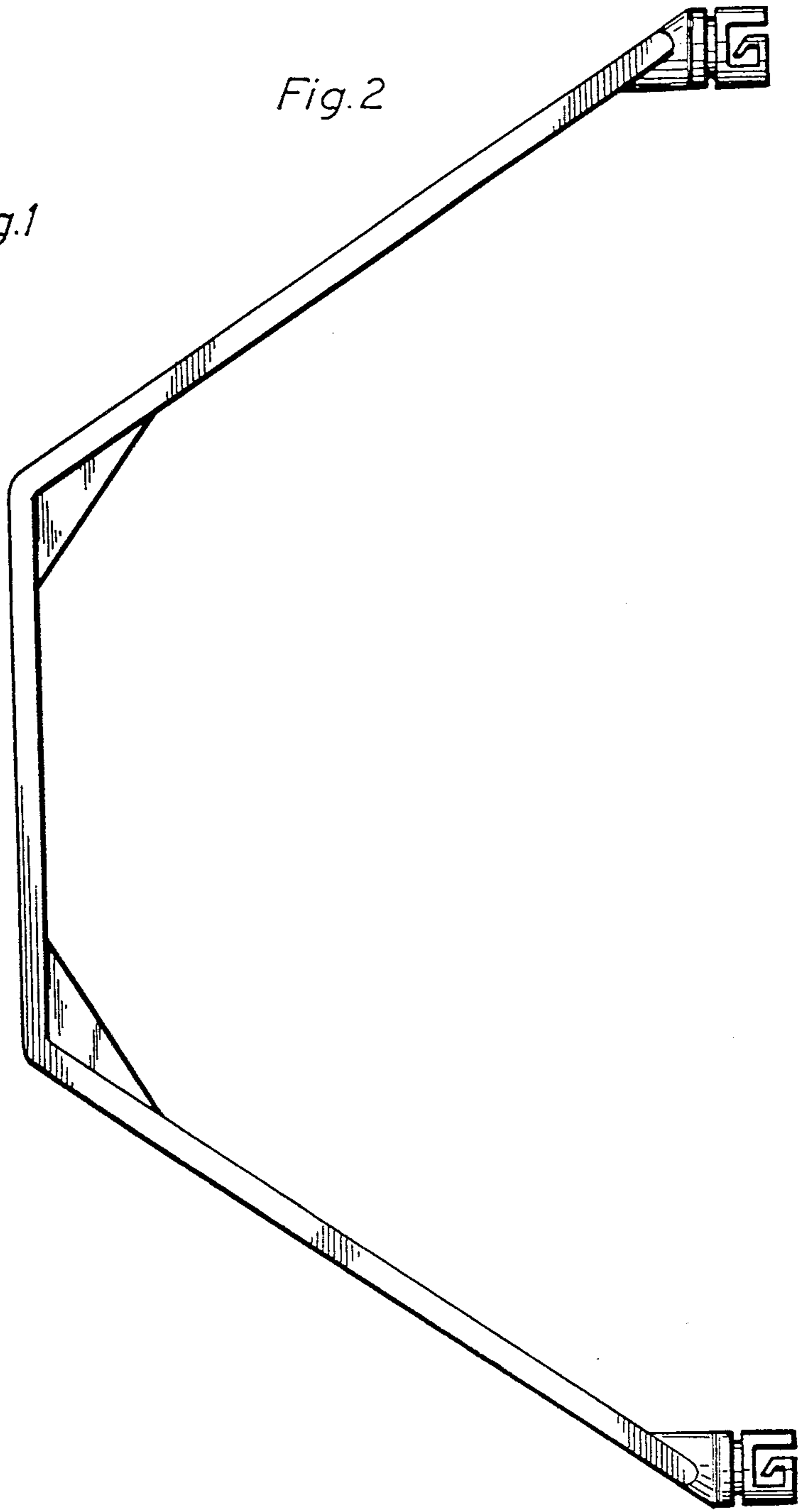


Fig. 2

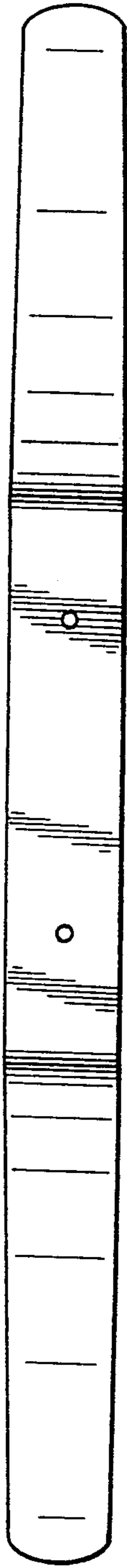


Fig.3

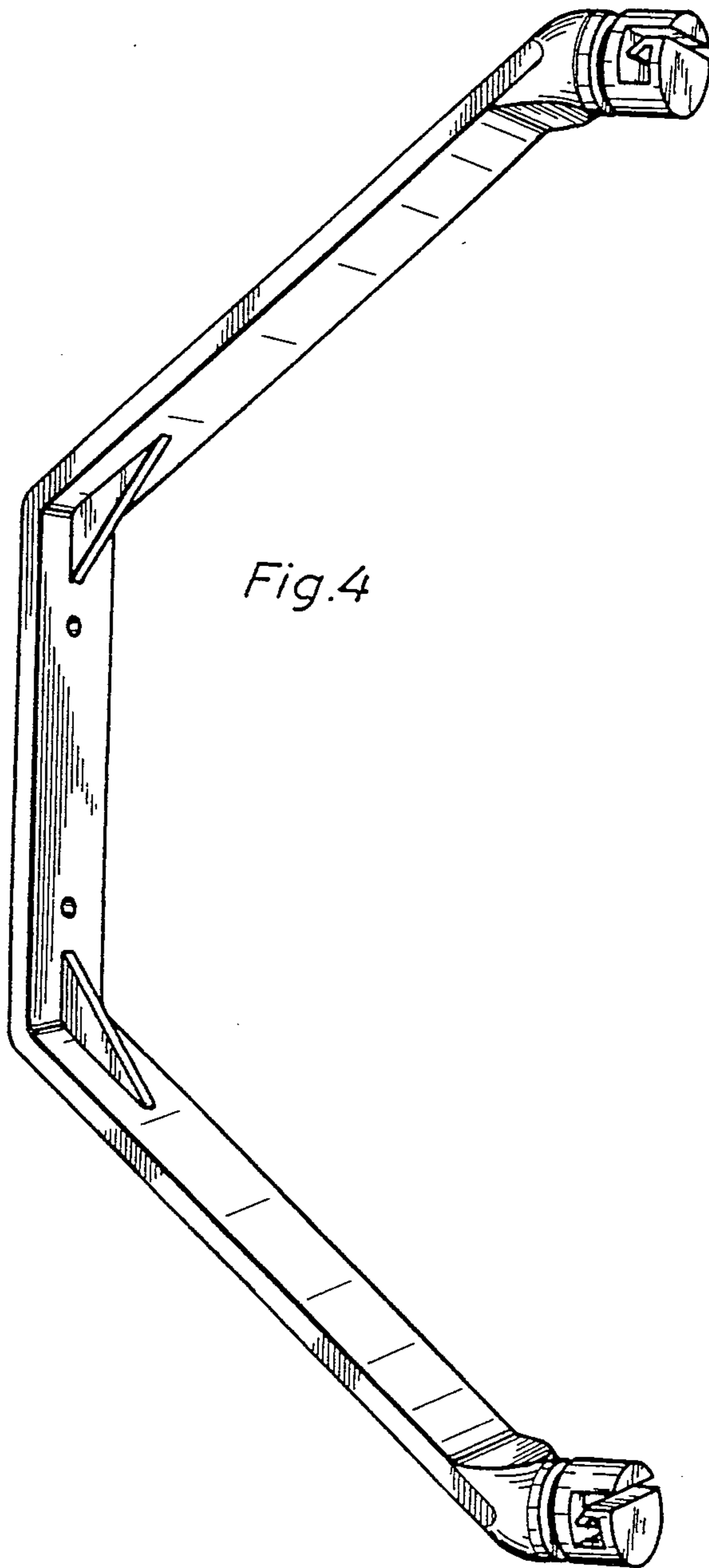


Fig.4