

[54] COMBINED PORTABLE HOSE REEL AND HOSE THEREFOR

[75] Inventors: Franco Clivio, Zürich, Switzerland; Dieter Raffler, Neu-Ulm, Fed. Rep. of Germany

[73] Assignee: Gardena Kress & Kastner GmbH, Fed. Rep. of Germany

[\*\*] Term: 14 Years

[21] Appl. No.: 706,678

[22] Filed: Feb. 28, 1985

[30] Foreign Application Priority Data

Sep. 6, 1984 [DE] Fed. Rep. of Germany ... 1989/84-03
[52] U.S. Cl. .... D8/359
[58] Field of Search ..... D8/356-359; 242/96, 84.8; 191/12 R., 12.4

[56] References Cited

U.S. PATENT DOCUMENTS

D. 257,576 12/1980 Bobrovniczky ..... D8/359
D. 260,985 9/1981 Moylan ..... D8/359 X

D. 275,094 8/1984 Schwartz ..... D8/359 X
3,369,084 2/1968 Cook ..... 191/12.4
4,061,290 12/1977 Harrill ..... D8/359 X
4,215,828 8/1980 Rathbun et al. .... 242/84.8
4,220,293 9/1980 Gename ..... 242/96 X
4,244,536 1/1981 Harrill ..... 242/96
4,338,497 7/1982 Drew ..... 191/12.4

Primary Examiner—Wallace R. Burke
Assistant Examiner—Horace B. Fay
Attorney, Agent, or Firm—Steele, Gould & Fried

[57] CLAIM

The ornamental design for a combined portable hose reel and hose therefor, as shown or described.

DESCRIPTION

FIG. 1 is a front, partial top and right side perspective view of a combined portable hose reel and hose therefor showing our new design; FIG. 2 is a front elevational view thereof; FIG. 3 is a right side elevational view thereof; FIG. 4 is a rear elevational view thereof; FIG. 5 is a left side elevational view thereof; and FIGS. 6 and 7 are respectively top and bottom plan views thereof.

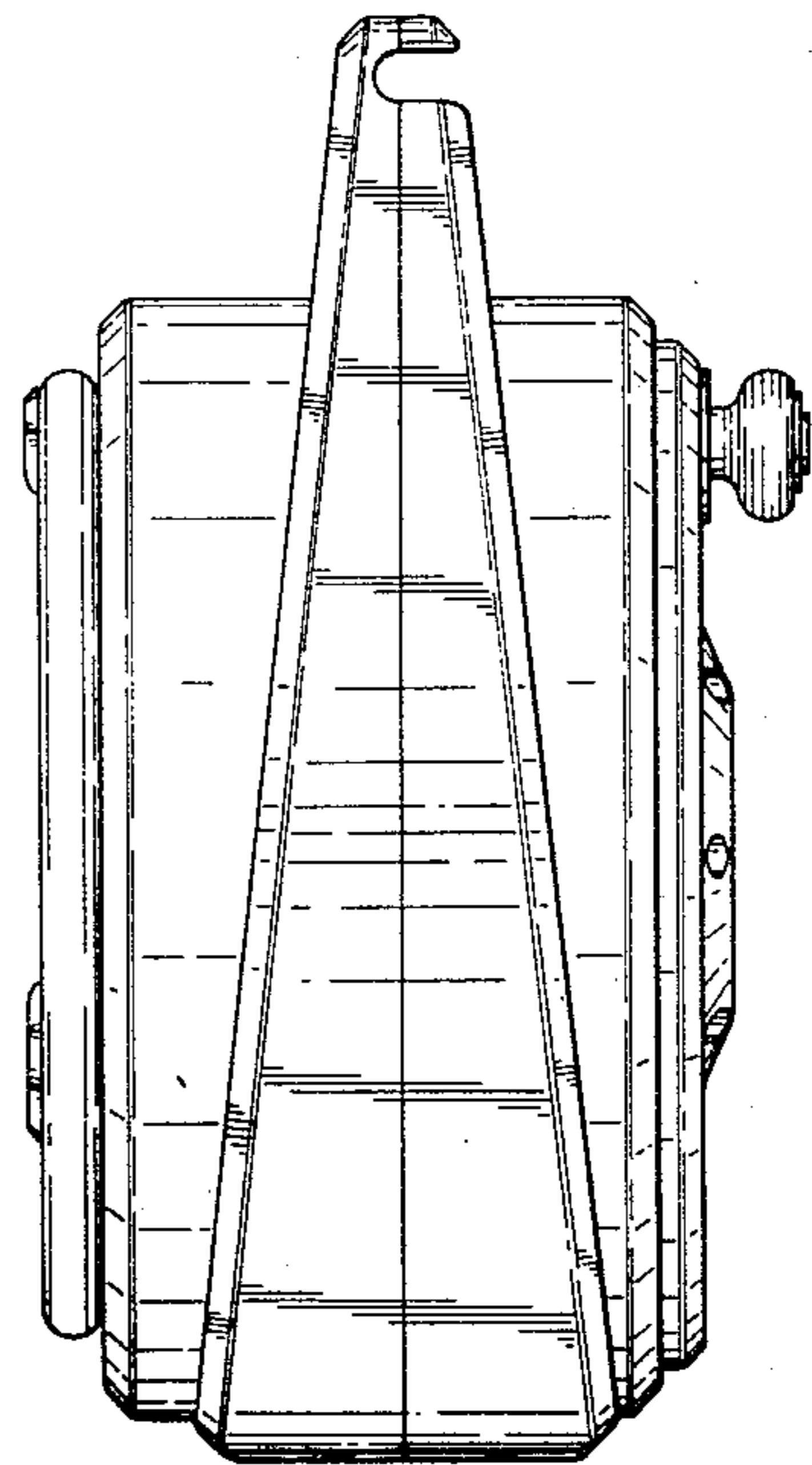
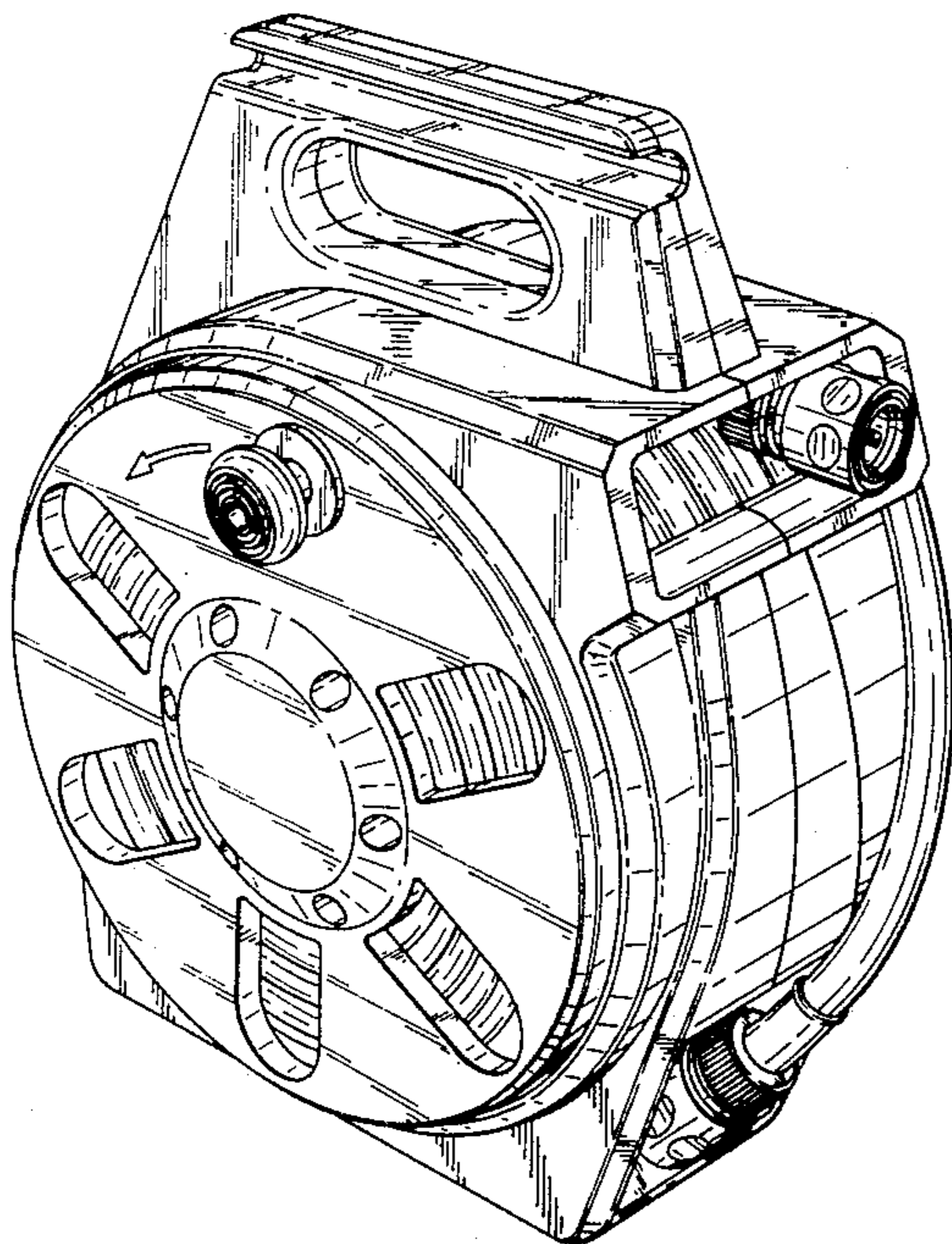
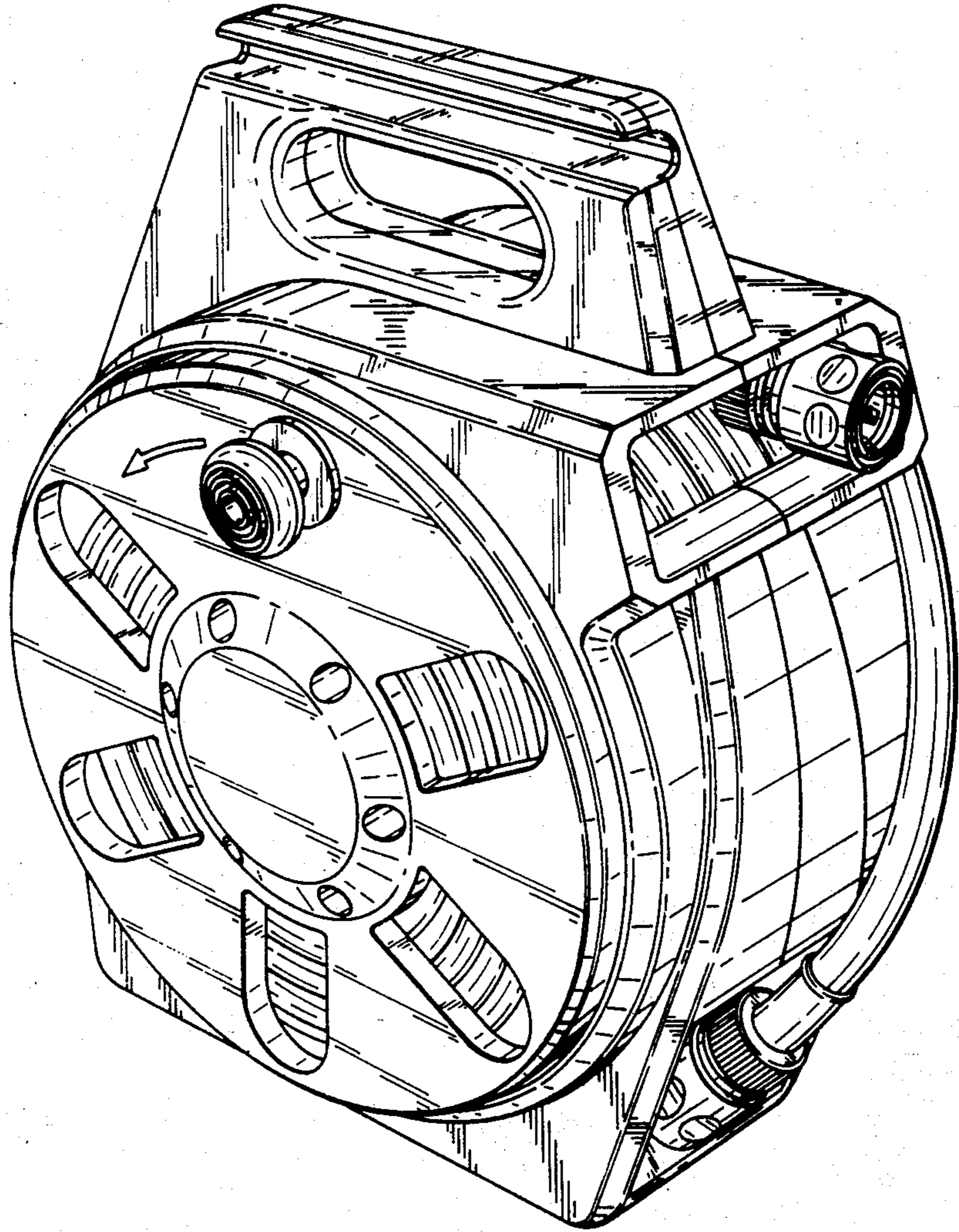


FIG. 1



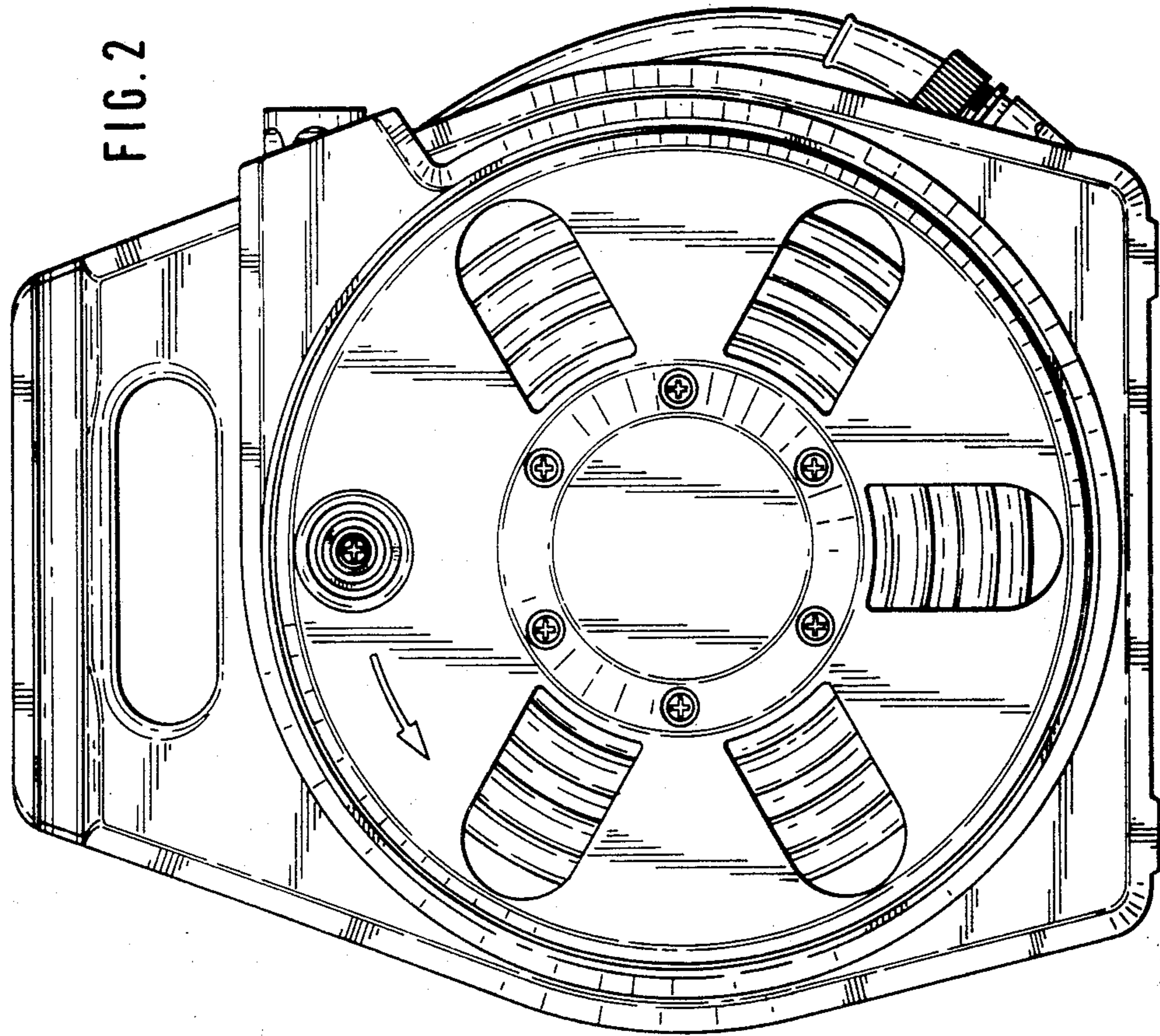
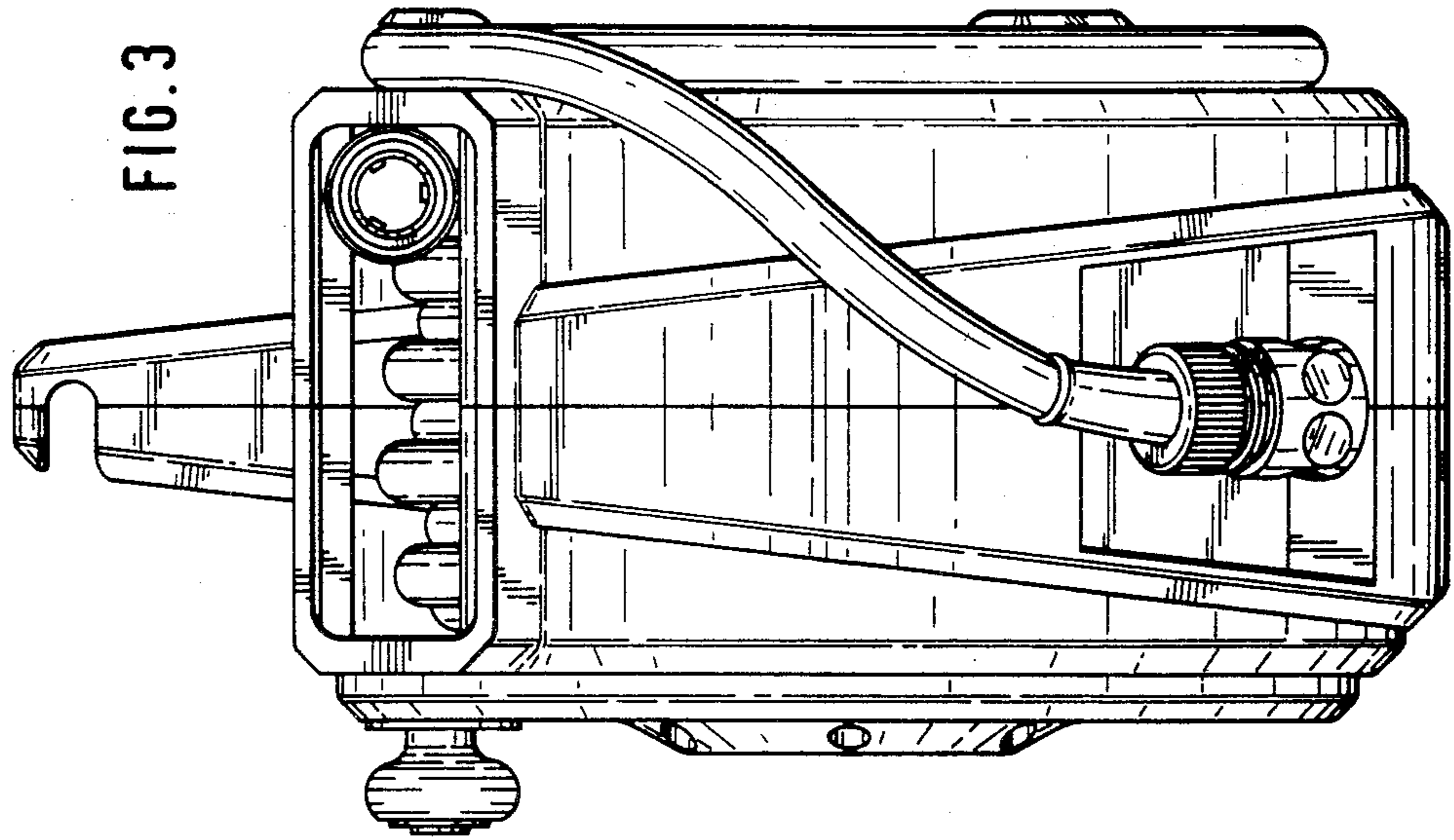


FIG. 5

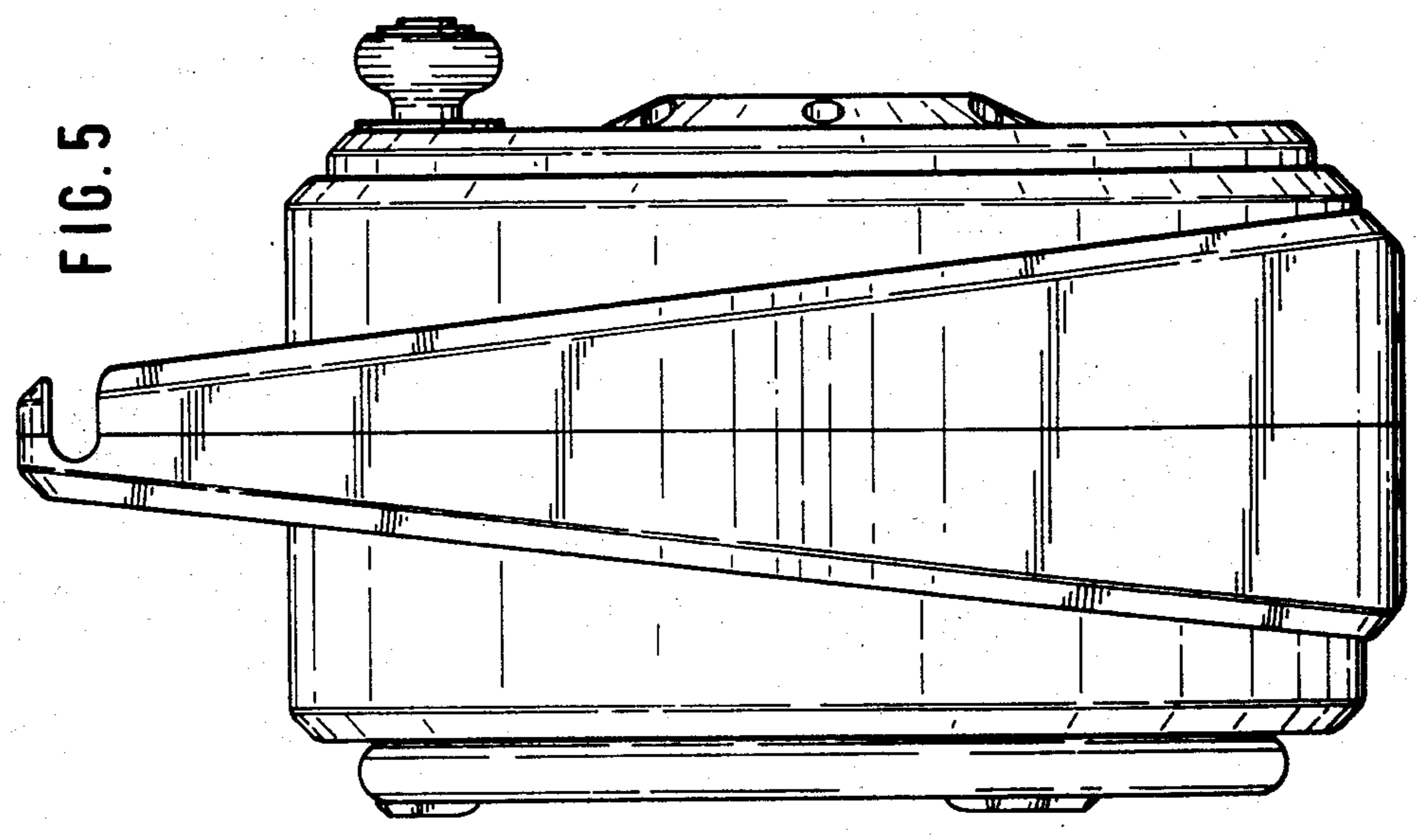


FIG. 4

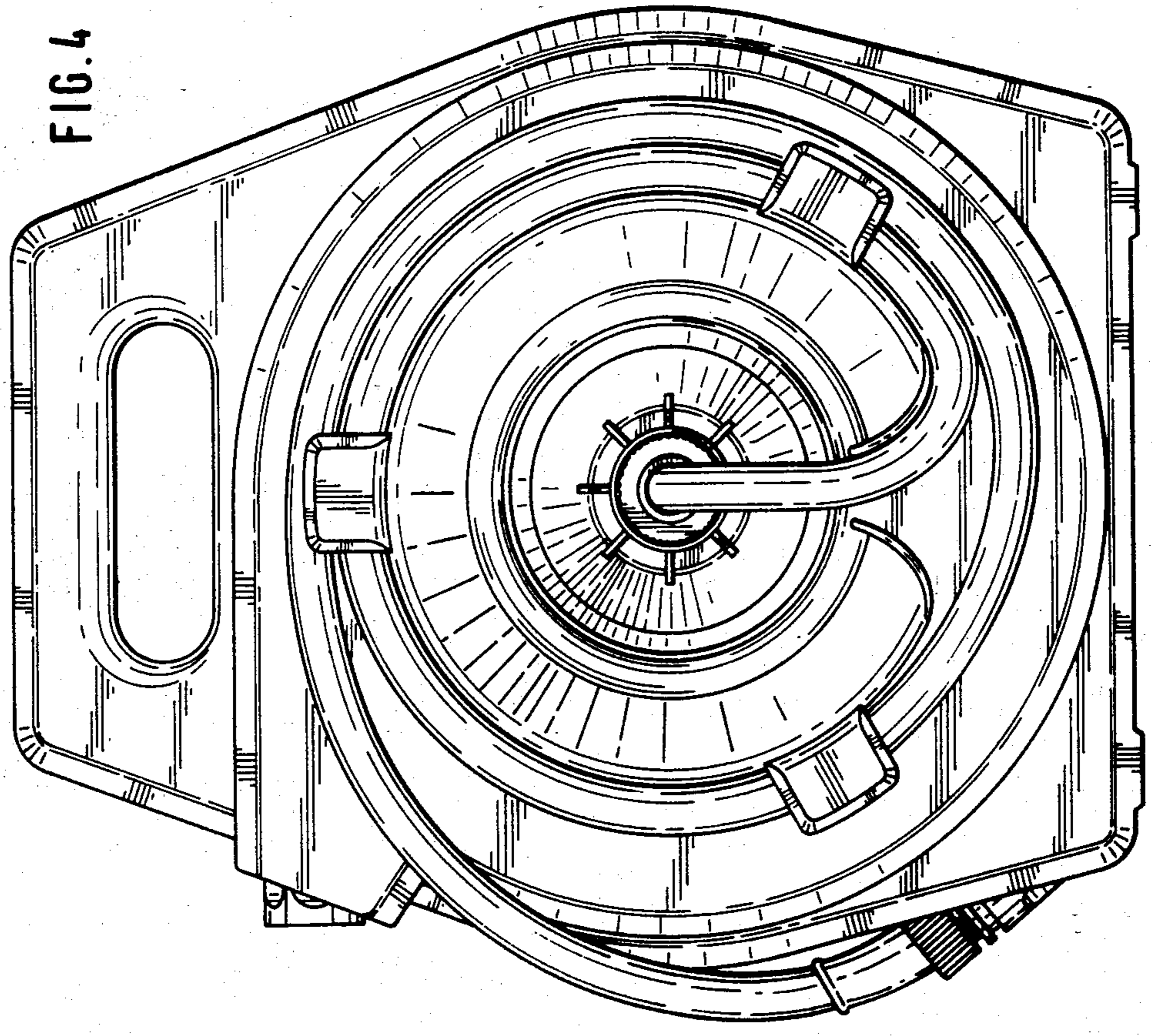


FIG. 6

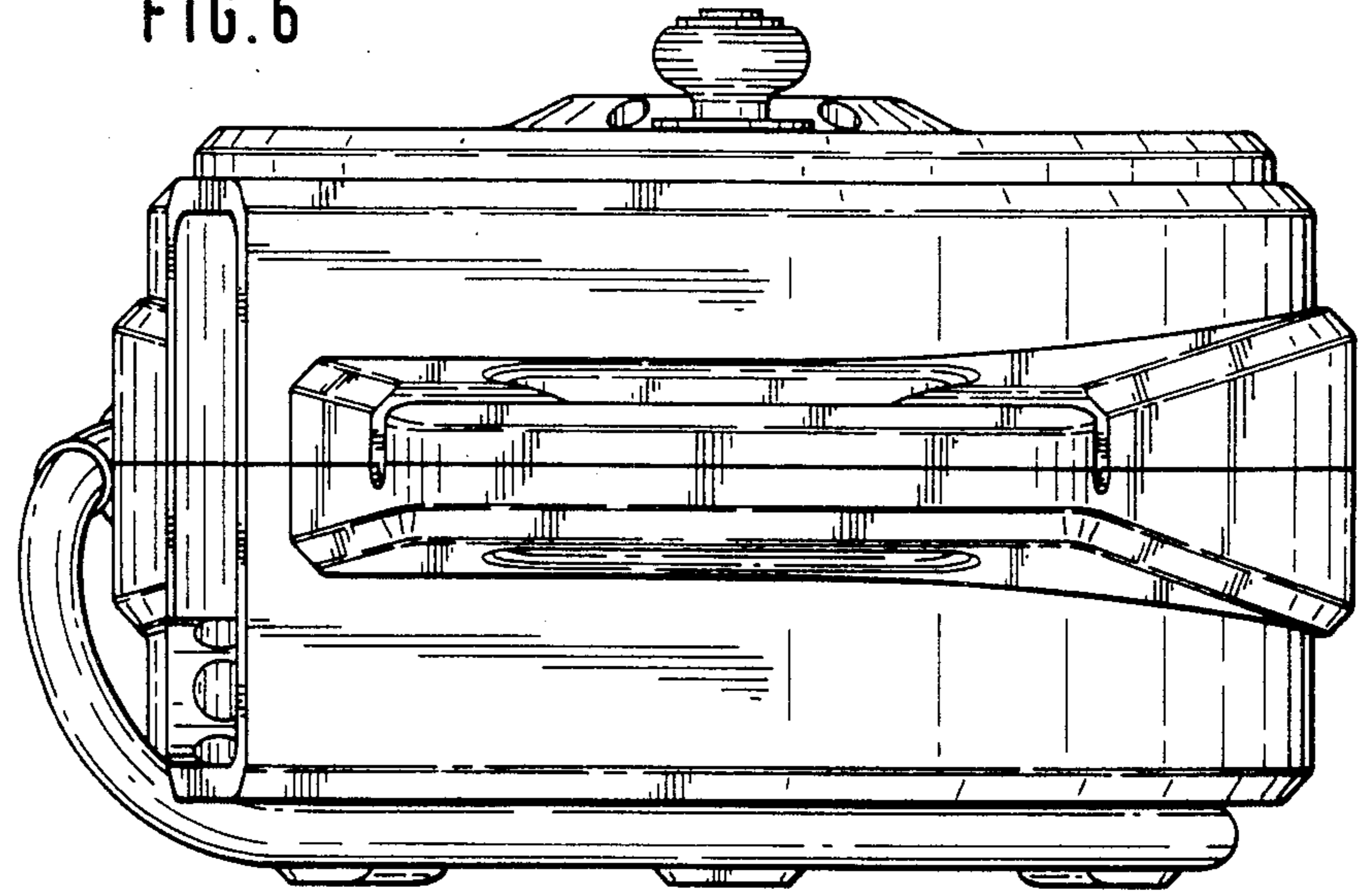


FIG. 7

